



4.8 cu. ft. Electric Range

WFE320M0E



Stainless Steel
WFE320M0ES

Also available in:

White **WFE320M0EW**

Black **WFE320M0EB**

Capacity

Oven 4.8 cu. ft.

General Features & Properties

EasyView™ Large Oven Window

#1 Selling Appliance Brand in the U.S.A.*

Electrical Details

Amps 40

Volts 120/240

Certifications

ADA Compliant Yes

Star-K Certified/Kosher Yes

Technical Details

Fuel Type Electric

Range Type Freestanding Single Oven

Oven Cooking System Thermal

Number of Oven Racks 2

Cleaning Type Manual Clean

Number of Elements 4

Element Type Radiant

Element Size/Power
(1) 9 5/8" 3000W
(1) 9" 2500W
(2) 6" 1200W

Dimensions

Product Dimensions (H x W x D)
47-7/8" x 29-7/8" x 27-3/4"

Depth with Door Open 90° 46-3/4"

Reference Material

[Dimension Guide](#)

[Install Guide](#)

[Use & Care Guide](#)

[Warranty](#)

Key Features & Benefits

Counter Depth Range

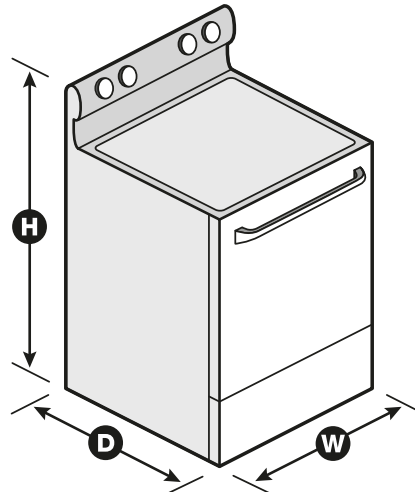
Designed to fit within 2" of a standard 25" depth countertop.

FlexHeat™ Dual Radiant Element

A 6" inner ring is great for smaller pots and pans, while the 9" outer ring heats larger cookware.

Easy Wipe Ceramic Glass Cooktop

Provides an ideal space for cooking and easy cleanup.



*Based on 12-month average of unit sales. Refrigeration, Cooking, Dishwashers and Laundry appliances. TraQline 2018. NOTE: Dimensions are for planning purposes only. For complete details, see Installation Instructions packed with product. Specifications subject to change without notice. ©/™ © 2020. All rights reserved. Printed in the U.S.A. D200052XXB. WFE320M0ESPECSHEETV01.