



# 30" Wall-Mount Canopy Hood

GXW7330DX



Stainless Steel  
GXW7330DXS

## General Features & Properties

Damper Included

6" Round Duct

Optional Chimney Extension Kit Available

## Electrical Details

Amps 15

Volts 120

## Certifications

Star-K Certified/Kosher Yes

## Technical Details

Blower Power	Centrifugal
Hood Type	Wall Canopy
CFMs	300
Lighting Type	Fluorescent
Number of Speeds	3
Venting Type	Exterior or Recirculating

## Dimensions

Product Dimensions (H x W x D)	28-7/8" x 30" x 20"
-----------------------------------	---------------------------

## Reference Material

[Dimension Guide](#)

[Install Guide](#)

[Use & Care Guide](#)

[Warranty](#)

## Key Features & Benefits

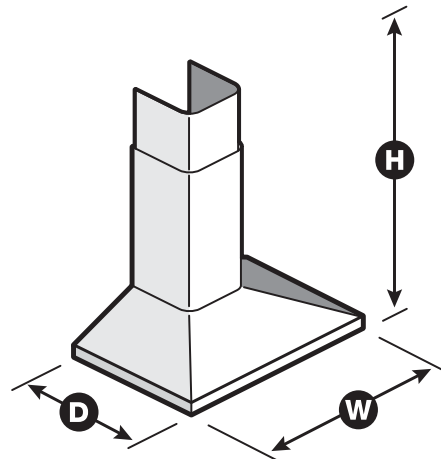
### 3-speed 300 CFM Fan

Three fan speeds provide the right amount of ventilation for every meal you prepare.

### Fluorescent Lighting

### Dishwasher-Safe Mesh Filters

Dishwasher-safe filters trap unwanted grease and odors and wash easily for reuse.



NOTE: Dimensions are for planning purposes only. For complete details, see Installation Instructions packed with product. Specifications subject to change without notice.

®/™ © 2020. All rights reserved. Printed in the U.S.A. D200104XXE. GXW7330DXSpecSheetV01.