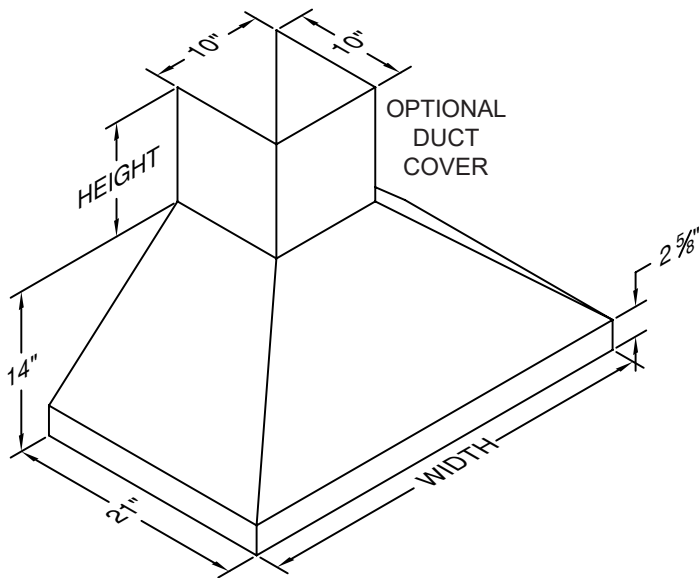
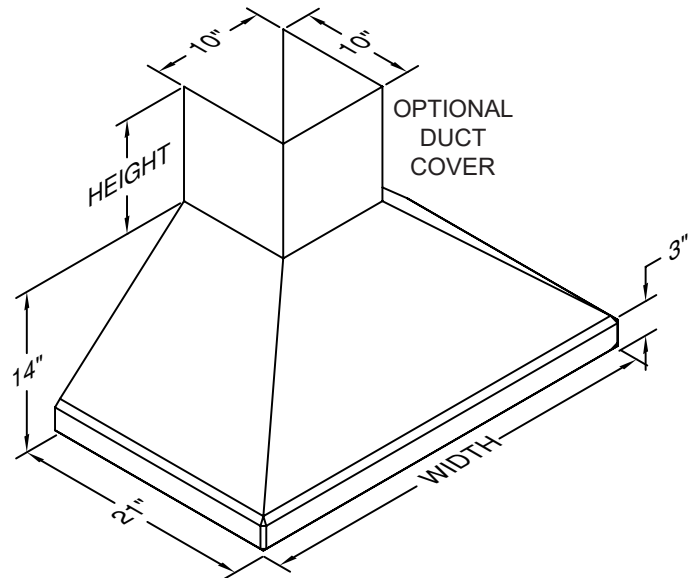


# VentA Hood® EUROSTYLE WALL MOUNT RANGE HOOD SPECIFICATIONS

**PDH14/SLDH14** Equipped with LED lighting. Not available with heat lamps. Shown with optional duct cover (sold separately). Optional duct covers available in standard and custom sizes.



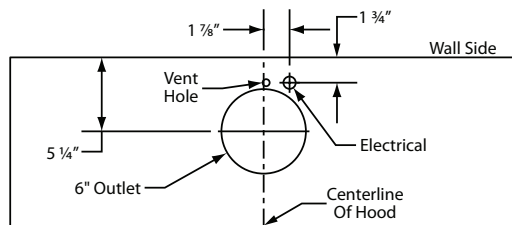
**PDH14**



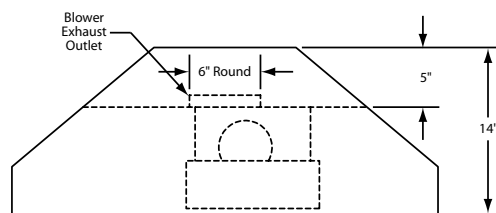
**SLDH14**

**30" model is limited to B100 single blower only**

## Connection Diagram (30" - 48" Widths)

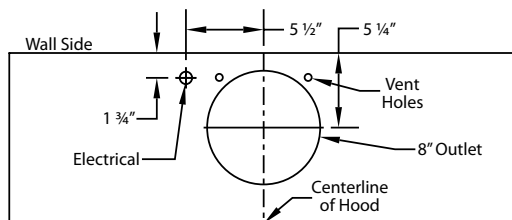


**300 CFM B100 Single Blower (Top View)**

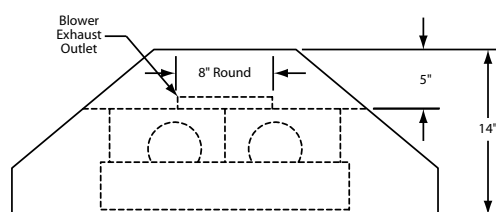


**(Front View)**

## Connection Diagram (36" - 48" Widths)

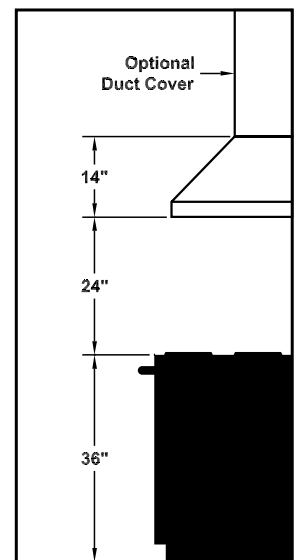


**600 CFM B200 Dual Blower (Top View)**



**(Front View)**

## Recommended Mounting Height



**\*Recommended mounting height is for optimum performance.**

## Electrical/Mechanical Specifications For Blower Units

Model	Volts	Amps	Hz	RPM	CFM SP@0.0"	Equivalent CFM*	CFM SP@0.1"	CFM SP@0.2"	CFM SP@0.3"	Minimum Round Duct Size	Sones#
B100 Single	115	2.5	60	1550	300	450	273	245	225	6" (28 in. <sup>2</sup> )	5.4
B200 Dual	115	4.0	60	1550	600	900	531	480	430	8" (50 in. <sup>2</sup> )	6.5

Hood is available with LED lights (2 lights: 30" - 41" 3 lights: 42" - 48").

\* Because the Magic Lung® blower uses centrifugal filtration rather than conventional baffle or mesh filters, the Magic Lung® blower can handle cooking equipment with higher cubic feet per minute (CFM) requirements and can deliver equivalent CFM much more efficiently than other filtration systems. When comparing the Magic Lung® with other blower units made by other manufacturers, use the "Equivalent CFM".

# Ratings in accordance with the Standard Test Code by the Energy Systems Laboratory of the Texas Engineering Experiment Station.

**SPECIFICATIONS SUBJECT TO CHANGE WITHOUT NOTICE Rev. 0516A**

