



# UNDERCOUNTER BEVERAGE CENTERS

15"W. VUBV515GSS and 24"W. VUBV524GSS

## FEATURES

- Storage Capacity
  - 15"W. model:
    - Volume of 2.9 cu. ft. holds up to 8 wine bottles (750ml) and 34 bottles (12 oz.) or 54 cans (12 oz.)
  - 24"W. model:
    - Volume of 5.2 cu. ft. holds up to 14 wine bottles (750ml) and 68 bottles (12 oz.) or 111 cans (12 oz.)
- Full-depth lower interior maximizes storage options
- Variable speed compressor delivers maximum energy efficiency, faster temperature response, and quieter operation
- Convection cooling system provides a quick cool down and consistent temperature
- Temperature range: 33°F – 70°F
- Stainless steel interior
- Stainless steel cabinet, toe kick, and accents
- Easy adjusting interior with 19 adjustable positions
- Two removable, full-extension easy to load bins
- Two removable, full-extension wine racks
- Digital touch pad control with blue LED display
- Adjustable bright white or blue LED lighting
- Soft close door with articulating hinge
- Field reversible door is shipped right-hand hinged
- Built-in or freestanding
- Four adjustable leveling legs



## MODEL NUMBERS

- VUBV515GSS – 15"W. Refrigerated Beverage Center
- VUBV524GSS – 24"W. Refrigerated Beverage Center

## DESIGN OPTIONS

- Product ships as right hinge; field reversible

## COLOR FINISHES

- Available in Stainless Steel (SS)

## WARRANTY

- 2-year full covers complete unit
- 6-year full – sealed refrigeration system
- 90-day full – cosmetic parts such as glass, painted items, and decorative items
- 12-year limited – sealed refrigeration system

UNDERCOUNTER BEVERAGE CENTER		
MODEL	VUBV515GSS	VUBV524GSS
Amps: Running	1.2	
Capacity: Bottle (12 oz)	34	68
Capacity: Can (12 oz)	54	111
Capacity Volume (cu ft)	2.9	5.2
Capacity: Wine Bottle (750 ml)	8	14
Dimensions: Product Depth	22 15/16" (583 mm)	
Dimensions: Product Height (Min.)	33 11/16" (855 mm)	
Dimensions: Product Width	14 15/16" (379 mm)	23 5/8" (600 mm)
Energy Consumption: Avg. Per Year	285 kWh	305 kWh
ENERGY STAR (glass door)	No	
Refrigerant Type:	R600a	
Sabbath (Star K Certified)	Yes	
Temperature Range	33°F – 70°F	
Voltage	115/60	
Weight	105 lb.	163 lb.

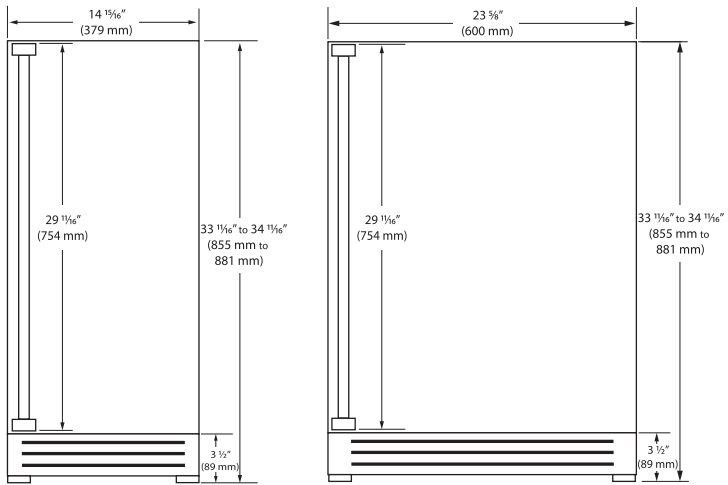
Please do not prepare installation from brochure data only. See installation instructions for important clearance/installation information.



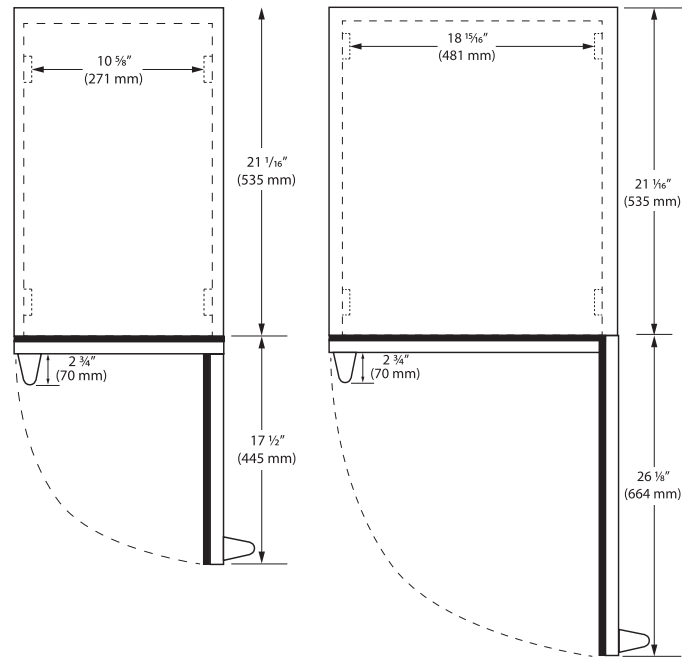
# UNDERCOUNTER BEVERAGE CENTERS

15"W. VUBV515GSS and 24"W. VUBV524GSS

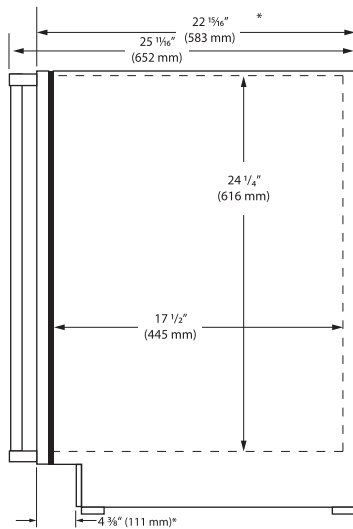
## FRONT



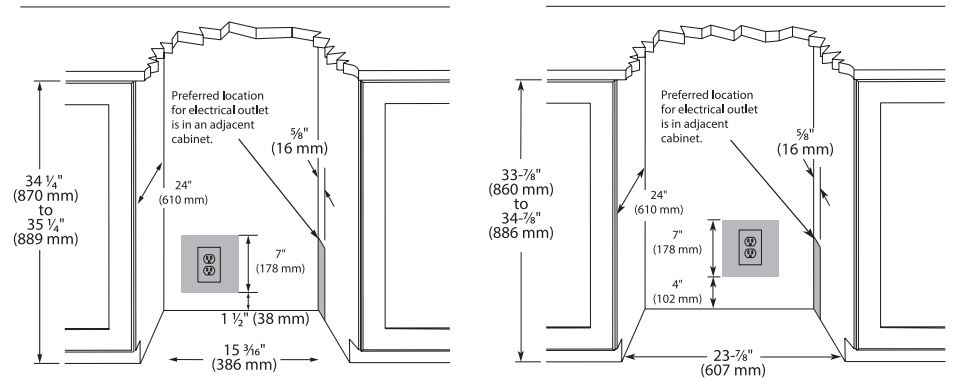
## TOP



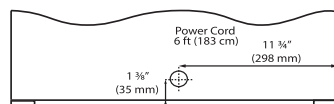
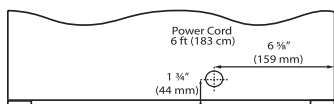
## SIDE



## CUTOUT



## REAR



VIKING RANGE, LLC 111 FRONT STREET GREENWOOD, MISSISSIPPI 38930 USA

For detailed product information, model numbers, or to request a quote call 1-888-845-4641 or visit [vikingrange.com](http://vikingrange.com)  
 © 2019 Viking Range, LLC All rights reserved. Specifications subject to change without notice.