

## KM 360 G

Gas cooktop  
with 4 burners



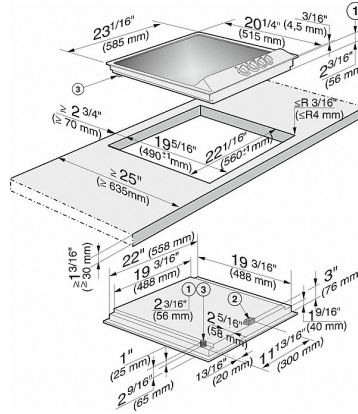
- Simple controls -single-handed operation via rotary dial control
- Professional design - 23 1/8 (585)Inch wide stainless steel trough
- Versatile - 4 burners

EAN: 4002513771572 / material number: 06391560

<b>Type of heating</b>	
Fuel type	Gas
<b>Construction type</b>	
Independent of oven	•
<b>Design</b>	
Cast iron pot rest (matte black enameled)	•
<b>Ring features</b>	
No. of rings	4
<b>Ring</b>	
Position	front left
Type	High-speed burner
Max. rating in W	3000
Position	rear left
Type	Economy burner
Max. rating in W	1000
Position	rear right
Type	Standard burner
Max. rating in W	1750
Position	front right
Type	Standard burner
Max. rating in W	1750
<b>Control panel</b>	
Operation via knobs	•
Electronic ignition with one-handed operation	•
<b>Safety</b>	
GasStop	•
<b>Technical data</b>	
Dimensions in in. (width)	23 1/8 (585)
Dimensions (height) in in.(mm)	2 1/4 (56)
Dimensions (depth) in in.(mm)	20 3/8 (515)
Cutout dimensions in in. (width) with proud-mounted installation	22 1/8 (560)
Cutout dimensions in in. (depth) with proud-mounted installation	19 3/8 (490)
Weight in lbs. (kg)	26 (12)
Power cord length in m	6 (2.0)

## KM 360 G

Gas cooktop  
with 4 burners



KM 360 G (installation drawing) - USA

- 1) Built in depth
- 2) Electrical Connection box
- 3) Gas Connection R 1/2" NPT