

FAB38ULCR New product

50's Retro style

18 cu. ft. retro-style fridge, Cream, Left-hand hinge

EAN13: 8017709291433

REFRIGERATOR

Multi-flow cooling system

Inverter compressor

Fresh food capacity: 12.5 cu. ft.

Double-sided LED lighting

Life plus zone 28 - 37°F with electronic control

Double-zone electronic temperature control

3 adjustable glass shelves, 1 crisper drawer with glass cover

Chromed profiles for drawers and door bins

Life plus zone 28 - 37°F with electronic control

Door-open alarm

FREEZER

3 drawers

Frozen food capacity: 5.5 cu. ft.

Manual ice maker

No-frost technology

DOOR

4 door bins (3 adjustable)

1 bottle storage bin

TECHNICAL FEATURES

Energy consumption: 321 kWh/year

Voltage: 120 V

Frequency: 50/60 Hz

Noise level: 42 dB(A)

Dimensions (HxWxD): 80 11/16" x 27 13/16" x 30 3/8" (handle included)

Dimensions with door open at 90° (HxWxD): 80 11/16" x 34 7/16" x 52 3/4"

Net weight: 247 lbs



Functions



Versions

- **FAB38URCR** - Cream, Right-hand hinge



FAB38ULCR

50's Retro style

fridge
free standing
combined
cream
28"



Energy Star and ISO14001 Certified:

The SMEG production process is carefully-managed in order to limit the environmental impact as much as possible. The ISO process is checked and certified by Independent International bodies IQNET and CISQ (SMEG complies with the standard ISO14001). All SMEG dishwashers and every new refrigerator model are ENERGY STAR-qualified through the US Department of Energy and US Environmental Protection Agency. Energy efficiency is important to SMEG, and our engineers are constantly working to keep the energy and water consumption of each dishwasher and refrigerator as low as-possible. ENERGY STAR-certified products use approximately 40% less energy than the federal minimum standard for energy consumption. By choosing an ENERGY STAR-certified product, you are helping to preserve the environment without compromising on product quality or performance.

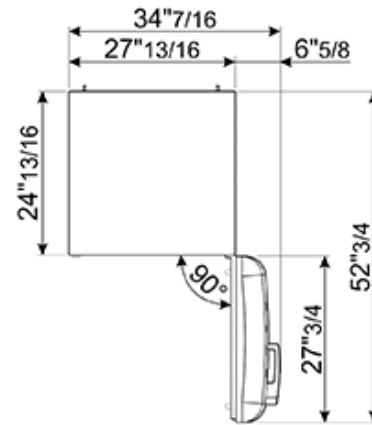
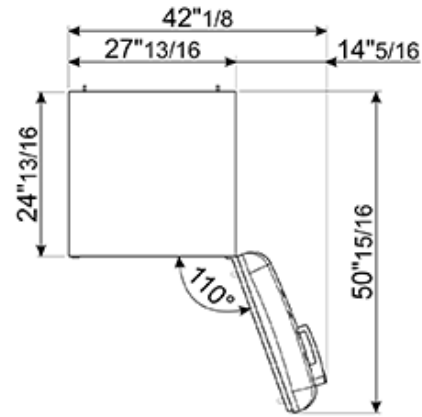
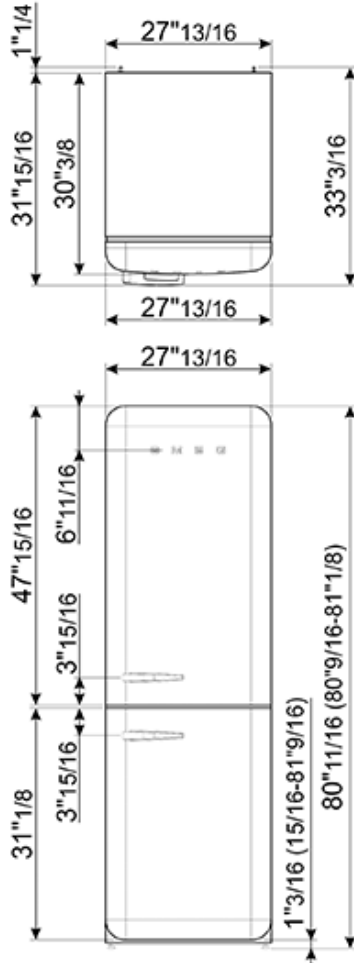


SMEG U.S.A. INC.
A&D BUILDING
150 EAST 58th STREET, 7th FLOOR
NEW YORK, NY, 10155
Tel. +1 212 265 5378
Fax +1 212 265 5945



FAB38ULCR

50's Retro style
 fridge
 free standing
 combined
 cream
 28'''



SMEG U.S.A. INC.
 A&D BUILDING
 150 EAST 58th STREET, 7th FLOOR
 NEW YORK, NY, 10155
 Tel. +1 212 265 5378
 Fax +1 212 265 5945