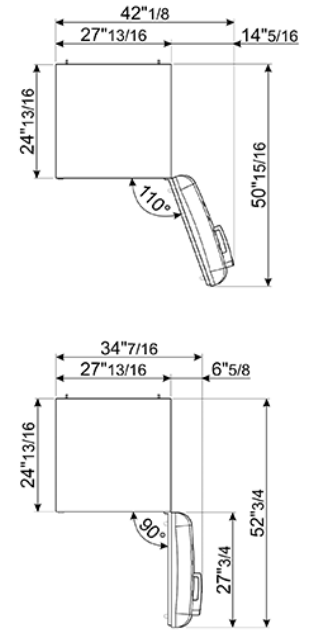
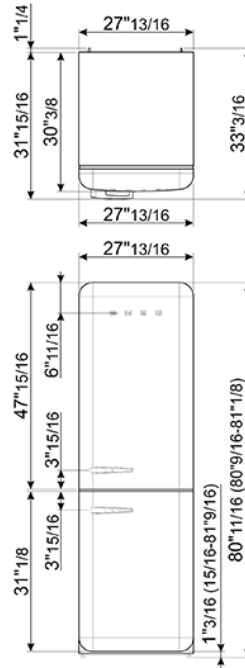


18 cu. ft. retro-style fridge, Pastel Green, Right-hand hinge



• **REFRIGERATOR** • Multi-flow cooling system • Inverter compressor • Fresh food capacity: 12.5 cu. ft. • Double-sided LED lighting • Life plus zone 28 - 37°F with electronic control • Double-zone electronic temperature control • 3 adjustable glass shelves, 1 crisper drawer with glass cover • Chromed profiles for drawers and door bins • Life plus zone 28 - 37°F with electronic control • Door-open alarm • **FREEZER** • 3 drawers • Frozen food capacity: 5.5 cu. ft. • Manual ice maker • **No-frost** technology • **DOOR** • 4 door bins (3 adjustable) • 1 bottle storage bin • **TECHNICAL FEATURES** • Energy consumption: 321 kWh/year • Voltage: 120 V • Frequency: 50/60 Hz • Noise level: 42 dB(A) • Dimensions (HxWxD): 80 11/16" x 27 13/16" x 30 3/8" (handle included) • Dimensions with door open at 90° (HxWxD): 80 11/16" x 34 7/16" x 52 3/4" • Net weight: 247 lbs

Functions

