

DA 6698 D Purist. Ed.6000

Island décor hood

with energy-efficient LED lighting and touch controls for simple operation.



- Family design – based on Miele built-in appliances
- Unique user convenience – Con@ctivity
- Energy-efficient and quiet
- Pleasantly quiet – Miele Silence package

EAN: 4002516024675 / material number: 10877240

Construction type	
Island ventilation hood	•
Design	
Color	Obsidian black
RAL color possible as special order	•
Customization possible on request	•
Operating modes	
Recirculated mode	Convertible
OdorFree charcoal filter (order separately)	DKF12-900
Control panel	
Electronic controls	•
Touch controls on glass	•
Power levels (number excl. Intensive)	3
Intensive setting	•
Programmable 'Intensive' switch-off	•
Delayed shutdown for 5 or 15 minutes	•
Programmable grease filter saturation indicator	•
Programmable charcoal filter saturation indicator	•
Acoustic package	•
Cleaning convenience	
Easy-to-clean CleanCover hood liner	•
Networking of domestic appliances	
Miele@home	•
WiFiConn@ct	•
ShopConn@ct	•
Automatic function Con@ctivity 2.0 (Zigbee)	•
Filter system	
Number of dishwasher-safe stainless steel grease filters	3
Lighting	
LED ClearView lighting	•
Light intensity in Lx	820
Color temperature in K	3,500
Light dimmer function	•
Blower	
Dual-action blower	•
AC motor	•
Air throughput with max. duct diameter in vented mode (not for external version)	
Air throughput	Values upon request
Safety	
Safety shut-off	•
Single-ply safety glass (ESG)	•

DA 6698 D Purist. Ed.6000

Island décor hood

with energy-efficient LED lighting and touch controls for simple operation.

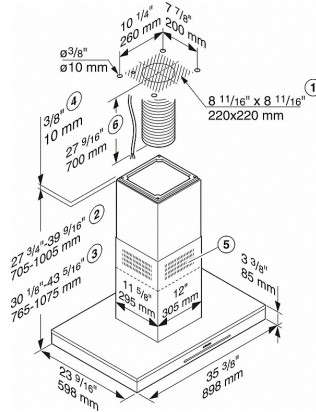


Technical data	
Overall hood height for vented and external in in.(mm)	27 7/8 (705)
Overall hood height for recirculation in in.(mm)	30 1/8 (765)
Canopy width in in.(mm)	35 3/8 (898)
Height of hood canopy in in.(mm)	3 3/8 (85)
Depth of hood canopy in in.(mm)	23 5/8 (598)
Minimum distance above electric cooktops in in.(mm)	24 1/8 (610)
Minimum height above gas cooktop (max. 12.6 kW total power, burner 4.5 kW) in mm	26 (660)
Net weight in lbs. (kg)	78 (35.0)
Length of electrical wire in ft (m)	0 (0.0)
Hard-wired	•
Total connected load in kW	0.36
Voltage in V	120
Fuse rating in A	15
Number of phases	1
Installation notes	
Vent connection at top	•
Diameter of vent connection in in.(mm)	6 (150)
Telescopic chimney	•
Standard accessories	
Non-return flap	•
Wireless stick Con@ctivity 2.0 for KM	XKS 3000 Z

DA 6698 D Purist. Ed.6000

Island décor hood

with energy-efficient LED lighting and touch controls for simple operation.



DA 6698 D, CLST (Installation drawing) - USA

- 1) Extraction cut-out
- 2) Extraction
- 3) Recirculation
- 4) Installation option with spacer frame
- 5) Ventilation grille at the top for recirculation
- 6) A mains cable and, for extraction mode, flexible exhaust ducting is required from the ceiling connection to the connection on the cooker hood.