

ContourLine / PureLine Warming Drawer

ESW 6214





ESW 6214

Features:

- Can be combined with either ContourLine or PureLine appliances
- Narrower stainless steel trim
- Touch controls
- Fan-assisted heating system
- Time control, 4-hour timer
- Temperature settings from 104°F to 185°F
- Push-to-open mechanism/handleless
- Keeps food or plates and cups warm
- Non-slip liner
- Cool touch front

ContourLine / PureLine Warming Drawer ESW 6214



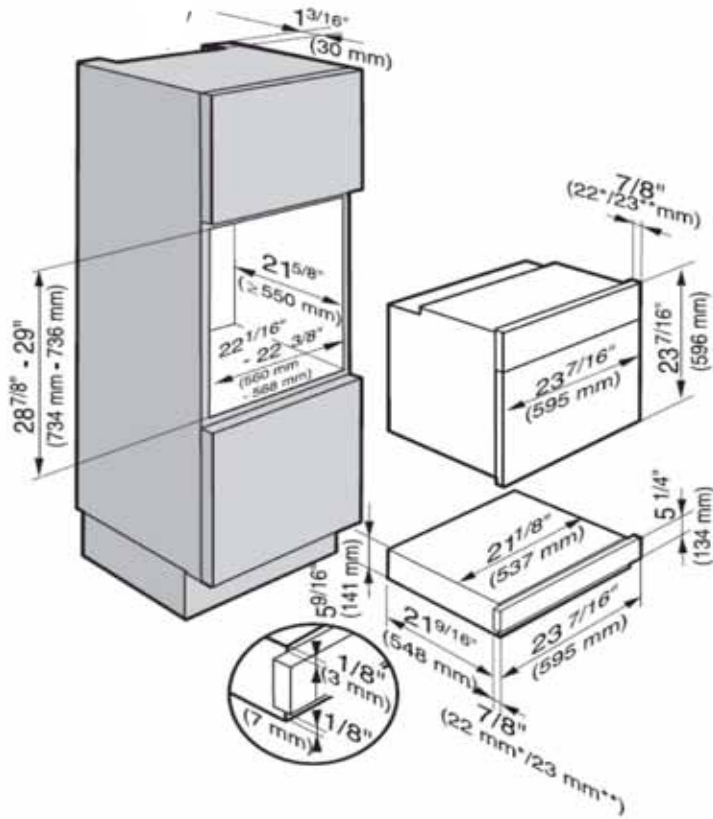
SPECIFICATIONS	
ESW 6214 - Item # 30621452USA	
Overall Unit Width - Excluding Fascia Dimension	21 ¹ / ₈ " (537mm)
Overall Height - Excluding Fascia Dimension	5 ⁹ / ₁₆ " (141mm)
Overall Depth - Excluding Fascia Dimension	21 ⁹ / ₁₆ " (387mm)
Overall Fascia Dimensions	23 ⁷ / ₁₆ " (595mm) W x 5 ¹ / ₄ " (134mm) H x 7 ⁷ / ₈ " (22mm) D
Built-In	
Minimum Cabinet Width	22 ¹ / ₁₆ " – 22 ³ / ₈ " (560mm - 568mm)
Minimum Cabinet Depth	21 ⁵ / ₈ " (550mm)
Minimum Cabinet Height	5 ⁵ / ₈ " (143mm)
Minimum Base Support	43 lbs
Additional Cut-outs Required	No
Electrical	
Electrical Requirements	120V 15A 60Hz
Power Cord	Yes - Molded NEMA 5-15 plug, 120V power cord, 5' (1.5m) length
Cut Out for Power Cord	Minimum 3" square
Electrical Rating	120V .72kW
Total Amps	6A on 120V
Shipping	
Shipping Weight	46 lbs
Shipping Dimensions	25 ³ / ₄ " W x 8 ¹ / ₂ " H x 25 ³ / ₈ " L
Support	
Call	800.843.7231
20/20	☎2020technologies.com

ContourLine / PureLine Warming Drawer ESW 6214

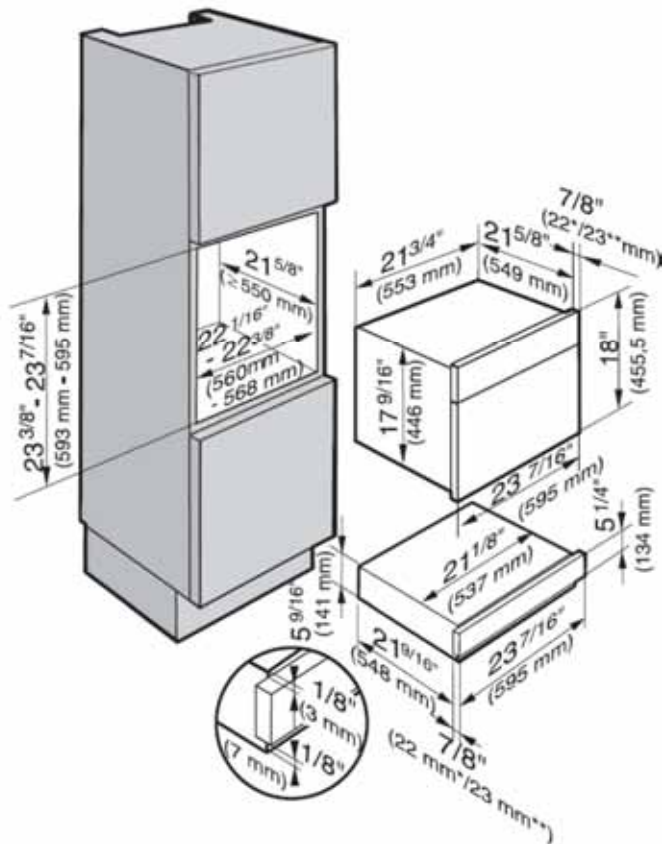


INSTALLATION SPECIFICATIONS

Under 60cm Oven



Under Steam Oven

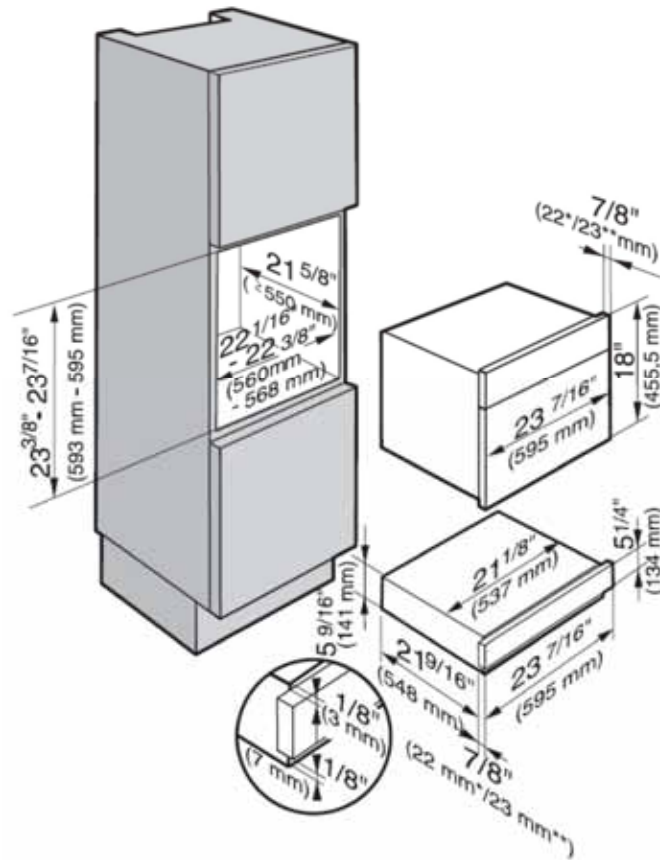


ContourLine / PureLine Warming Drawer ESW 6214



INSTALLATION SPECIFICATIONS

Under Speed Oven



Under Combi-Steam Oven

