

DAR 1250

Wall ventilation hood
for perfect combination with Ranges and Rangetops.



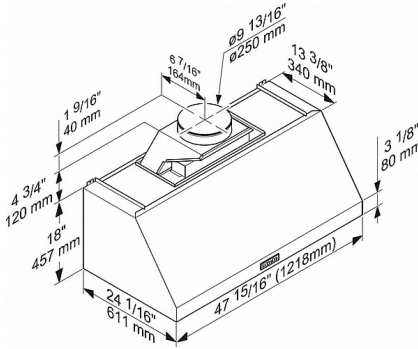
- Professional design - stainless steel hood, 48 (1,218) Inch wide
- Perfect illumination - LED ClearView lighting
- Dishwasher-safe - 4 high-quality stainless steel grease filters
- Safe and easy to clean - Miele CleanCover
- Auto-vent safety sensor – protects against overheating

EAN: 4002515446690 / material number: 09753430

Construction type	
Wall ventilation hood	•
Operating modes	
Recirculated mode	air extraction
External operation possible	•
Control panel	
Rotary knob	•
Power levels (number excl. Intensive)	3
Intensive setting	•
Temperature sensor	•
Cleaning convenience	
Easy to clean canopy interior CleanCover	•
Filter system	
Number of dishwasher-safe stainless steel baffle filters	4
Lighting	
LED	•
Technical data	
Canopy width in in.(mm)	48 (1,218)
Canopy width in inches	47 15/16
Canopy height in in.(mm)	18 (457)
Canopy depth in in.(mm)	24 1/8 (611)
Net weight in lbs. (kg)	106 (48.0)
Length of electrical wire in ft (m)	2 (0.8)
Standard plug fitted	•
Total connected load in kW	0.81
Voltage in V	120
Fuse rating in A	15
Number of phases	1
Installation notes	
Vent connection at top	•
Diameter of vent connection in in.(mm)	9 7/8 (250)
Standard accessories	
Non-return flap	•

DAR 1250

Wall ventilation hood
for perfect combination with Ranges and Rangetops.



DAR1250 (Installations drawing)

1) Installation area