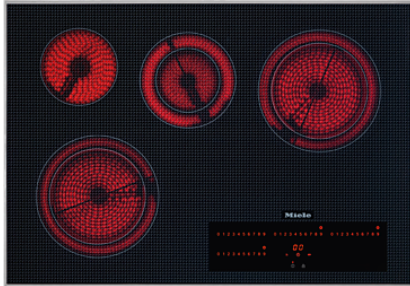


KM 5840 240V

Electric cooktop

with direct selection plus including timer for maximum user convenience.



- Quick selection using numerical linear keybanks - Direct control plus
- Attractive design - 30 5/8 (775)Inch wide with stainless steel frame
- Very versatile - 4 cooking zones with 2 Vario zones
- Convenient - Auto heat-up for every cooking zone
- Safe - residual heat indicator for every cooking zone

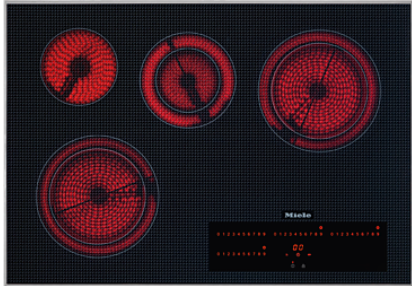
EAN: 4002514866673 / material number: 07821740

Type of heating	
Fuel type	Electrical
Construction type	
Independent of oven	•
Design	
Elegant glass ceramic surface	•
Ceramic surface color	Black
Print design	Basalt grey decor
All-round stainless steel frame	•
Proud-mounted installation	•
Ring features	
No. of rings	4
Ring	
Position	front left
Type	Variable cooking zone
Size in inches (mm)	Ø 180 / Ø 230
Max. rating in W	1600/2500
Position	rear left
Type	Single-circuit ring
Size in inches (mm)	Ø 145
Max. rating in W	1200
Position	rear center
Type	Variable cooking zone
Size in inches (mm)	120/180 mm
Max. rating in W	700/1800
Position	front right
Type	Variable cooking zone
Size in inches (mm)	Ø 180 / Ø 230
Max. rating in W	1600/2500
Control panel	
Operation via touchpad sensors	Direct Control Plus
Display color	Red
Stop & Go function	•
Extended ring area	•
Minute minder	•
Automatic switch-off for all rings	•
AutoBoost	•
Cleaning convenience	
Easy to clean ceramic surface	•
Safety	
Safety cut-out	•
Lock function	•
System lock	•
Overheating protection	•
Residual heat indicator	•

KM 5840 240V

Electric cooktop

with direct selection plus including timer for maximum user convenience.

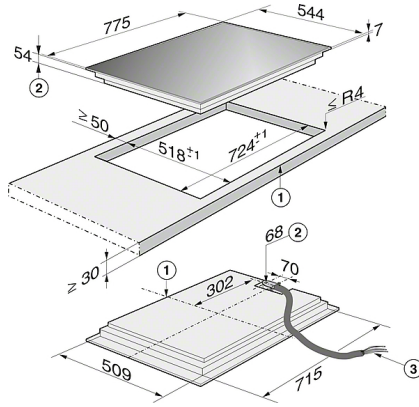
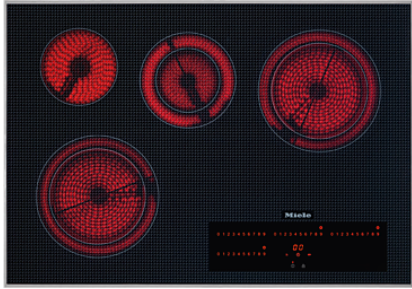


Technical data	
Dimensions in in. (width)	30 5/8 (775)
Dimensions (height) in in.(mm)	2 1/2 (62)
Built-in height with mains connection box in in.(mm)	2 3/4 (67)
Dimensions (depth) in in.(mm)	21 1/2 (544)
Cutout dimensions in in. (width) with proud-mounted installation	28 5/8 (724)
Cutout dimensions in in. (depth) with proud-mounted installation	20 1/2 (518)
Weight in lbs. (kg)	35 (16)
Total connected load in kW	8.0
Power cord length in m	4 (1.4)
Standard accessories	
Razor-blade scraper	•
Connection wire	•

KM 5840 240V

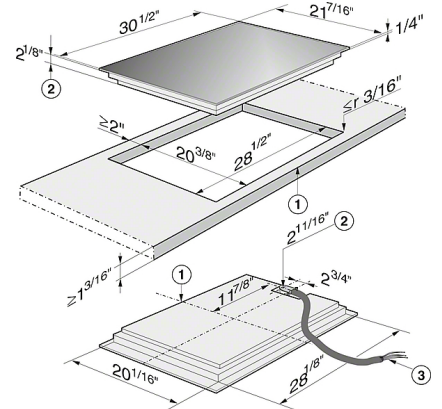
Electric cooktop

with direct selection plus including timer for maximum user convenience.



KM 5840 (Installation drawing)

1. Front
2. Building-in depth
3. Flexible metal hose, L = 1200 mm



KM 5840 (Installation drawing)

1. Front
2. Building-in depth
3. Flexible metal hose, L = 47 1/4"