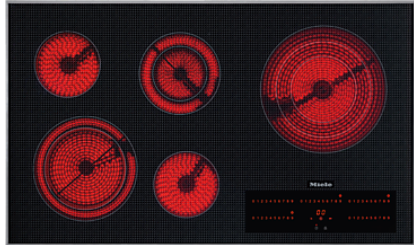


KM 5860 240V

Electric cooktop

with direct selection plus including timer for maximum user convenience.



- Quick selection using numerical linear keybanks - Direct control plus
- Attractive design - 36 1/8 (915)Inch wide with stainless steel frame
- Convenient - Auto heat-up for every cooking zone
- Safe - residual heat indicator for every cooking zone

EAN: 4002514866697 / material number: 07821760

| | |
|------------------------------------|-----------------------|
| Type of heating | |
| Fuel type | Electrical |
| Construction type | |
| Independent of oven | • |
| Design | |
| Elegant glass ceramic surface | • |
| Ceramic surface color | Black |
| Print design | Basalt grey decor |
| All-round stainless steel frame | • |
| Proud-mounted installation | • |
| Ring features | |
| No. of rings | 5 |
| Ring | |
| Position | front left |
| Type | Variable cooking zone |
| Size in inches (mm) | Ø 180 / Ø 230 |
| Max. rating in W | 1600/2500 |
| Position | rear left |
| Type | Single-circuit ring |
| Size in inches (mm) | Ø 145 |
| Max. rating in W | 1200 |
| Position | rear center |
| Type | Variable cooking zone |
| Size in inches (mm) | 120/180 mm |
| Max. rating in W | 700/1800 |
| Position | rear right |
| Type | Variable cooking zone |
| Size in inches (mm) | Ø 145 / Ø 210 / Ø 270 |
| Max. rating in W | 1100/2150/3100 |
| Position | front center |
| Type | Single-circuit ring |
| Size in inches (mm) | Ø 145 |
| Max. rating in W | 1200 |
| Control panel | |
| Operation via touchpad sensors | Direct Control Plus |
| Display color | Red |
| Stop & Go function | • |
| Extended ring area | • |
| Minute minder | • |
| Automatic switch-off for all rings | • |
| AutoBoost | • |
| Cleaning convenience | |
| Easy to clean ceramic surface | • |
| Safety | |
| Safety cut-out | • |
| Lock function | • |
| System lock | • |
| Overheating protection | • |
| Residual heat indicator | • |

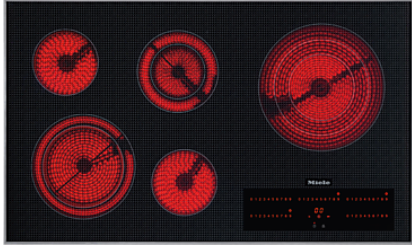
More information at www.MieleUSA.com

For further information please see next page...

KM 5860 240V

Electric cooktop

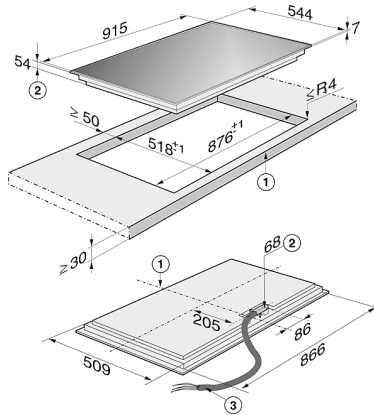
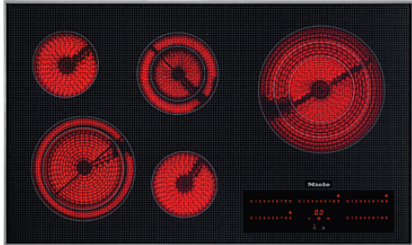
with direct selection plus including timer for maximum user convenience.



| Technical data | |
|--|--------------|
| Dimensions in in. (width) | 36 1/8 (915) |
| Dimensions (height) in in.(mm) | 2 1/2 (62) |
| Built-in height with mains connection box in in.(mm) | 2 3/4 (67) |
| Dimensions (depth) in in.(mm) | 21 1/2 (544) |
| Cutout dimensions in in. (width) with proud-mounted installation | 34 1/2 (876) |
| Cutout dimensions in in. (depth) with proud-mounted installation | 20 1/2 (518) |
| Weight in lbs. (kg) | 39 (18) |
| Total connected load in kW | 9.8 |
| Power cord length in m | 4 (1.4) |
| Standard accessories | |
| Razor-blade scraper | • |
| Connection wire | • |

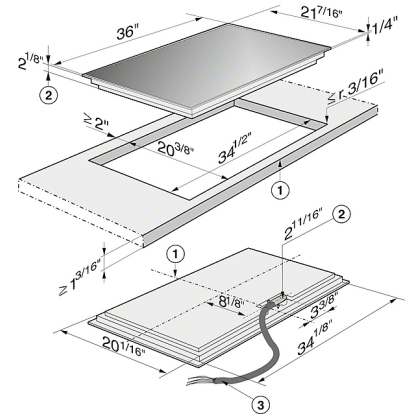
KM 5860 240V

Electric cooktop
with direct selection plus including timer for maximum user convenience.



KM 5860 (Installation drawing)

1. Front
2. Building-in depth
3. Flexible metal hose, L = 1200 mm



KM 5860 (Installation drawing)

1. Front
2. Building-in depth
3. Flexible metal hose, L = 47 1/4"