

CS 1012-1 G

CombiSets
with two burners



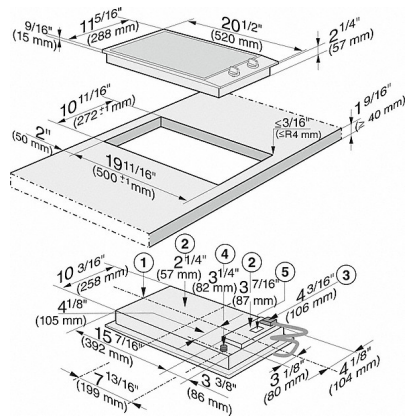
- Professional design - Stainless steel trough, 11 3/8 (288)Inch wide
- Particularly versatile - 1 medium burner and 1 large burner
- Optimal - single-handed operation via rotary dials and QuickStart
- Particularly convenient - in operation and residual heat indicator
- Extremely safe - GasStop&Restart function

EAN: 4002515017654 / material number: 09026740

Type of heating	
Fuel type	Gas
Design	
Stainless steel trough	•
Miele logo embossed in stainless steel	•
Cast iron pot rest (matte black enameled)	•
Ring features	
No. of rings	2
Ring	
Position	front center
Type	Standard burner
Max. rating in W	1600
Position	rear center
Type	Ultra high-speed burner
Max. rating in W	3000
Control panel	
Operation via knobs	•
QuickStart	•
Safety	
GasStop & ReStart	•
Technical data	
Dimensions in in. (width)	11 3/8 (288)
Dimensions (height) in in.(mm)	2 7/8 (73)
Built-in height with mains connection box in in.(mm)	4 1/4 (106)
Dimensions (depth) in in.(mm)	20 1/2 (520)
Cutout dimensions in in. (width) with proud-mounted installation	10 3/4 (272)
Cutout dimensions in in. (depth) with proud-mounted installation	19 3/4 (500)
Weight in lbs. (kg)	17 (8)
Total connected load in kW	4.9
Power cord length in m	6 (2.0)
Standard accessories	
Connection wire	•
Jet set for liquid gas	•

CS 1012-1 G

CombiSets
with two burners



CS 1012-1 G (Installation drawing) - USA

- 1) Appliance front
- 2) Installation height
- 3) Power supply box with Connection cable, L = 78 3/4" (2000 mm)
- 4) Gas Fitting
- 5) Rating label