

PG 8133 SCVi [120V 60HZ 15A]

Fully integrated dishwasher with 3D+ cutlery tray
for large loads of dishware in households, offices and utility areas.



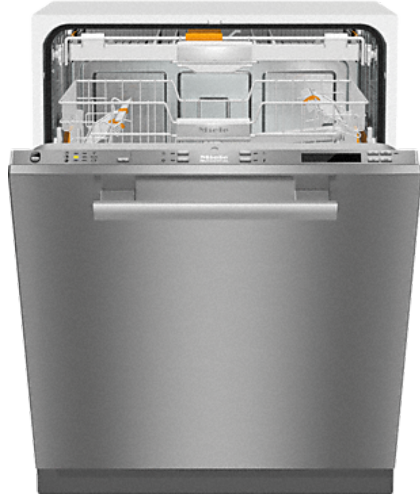
- Wash performance: 16 place settings in just 58 minutes*
- Requires an electrical connection for AC 120V 60HZ
- Perfect lighting for easy loading - BrilliantLight
- The best care for your glasses – Perfect GlassCare
- Everything completely dry – AutoOpen assisted drying

EAN: 4002515818893 / material number: 10638660

Model and design	
Design	Fully integrated dishwasher
Line	ProfiLine
Wash system	Fresh water
Number of levels	3
Front	Without front
Side walls	Galvanised
Drying	Recirculation condensation drying AutoOpen assisted drying Extra drying
Application	
Suitable for retirement and nursing homes	•
Suitable for hospitals	•
Suitable for Bed & Breakfast	•
Suitable for child care facilities	•
Suitable for universities and schools	•
Suitable for offices	•
Suitable for domestic use	•
Suitable for small businesses	•
Suitable for sports clubs	•
Performance data	
Circulation pump, Qmax in gal/min (l/min)	0.0 (190)
Shortest program duration in min.	58
Maximum final rinse temperature in °F (°C)	180 (82)
Cleaning performance, place settings/cycle	16
Tested operating hours	7,500
Controls	
Control system	Electronic controls
Program selection	Program Selector Buttons
Max. delay start in h	24
Countdown indicator	•
Choice of display language	•
Standard electrical connection	
Electrical connection	AC 120V 60HZ
Heater rating in kW	1.30
Total connected load in kW	1.50
Fuse rating in A	15
Length of connection wire in ft (m)	5 (1.70)
Possible voltage variant 1	
Electrical connection	AC 120/208V 60HZ
Heater rating in kW	3.3
Total connected load in kW	3.50
Fuse rating in A	30

PG 8133 SCVi [120V 60HZ 15A]

Fully integrated dishwasher with 3D+ cutlery tray
for large loads of dishware in households, offices and utility areas.



Water connection/drainage	
Cold or hot water [number]	1
Required flow pressure in bar	0,30-10,00
Drain hose [DN]	22
Maximum delivery head for drain pump in inches (cm)	39 3/8 (100)
Integrated water softener	•
Maximum water hardness in gpg (mmol/l)	0.000 (6.50)
Water protection system	Waterproof system
Dimensions and weight	
External dimensions, net height in inches	33 3/8 (845)
External dimensions, net width in inches	23 5/8 (598)
External dimensions, net depth in inches	22 1/2 (570)
External dimensions, gross height in inches	38 1/4 (970)
External dimensions, gross width in inches	26 1/2 (670)
External dimensions, gross depth in inches	27 1/4 (690)
Usable space in wash cabinet, width in inches (mm)	20 7/8 (530)
Usable space in wash cabinet, height in inches (mm)	21 3/8 (540)
Usable space in wash cabinet, depth of upper basket in inches (mm)	18 3/4 (474)
Usable space in wash cabinet, depth of lower basket in inches (mm)	17 3/4 (450)
In-feed height above floor in inches (mm)	8 3/8 (210)
Net weight in lbs.	124 (56)
Gross weight in lbs.	144 (65)
Maximum floor loading in p/force	1,000
Emission levels	
Emission sound pressure level in workplace (LpA)	38 dB(A) re 20 µPa
Heat dissipation into the room in btu/h (MJ/h)	2.52
Programs	
Universal	•
Short	•
SaniWash	•
Cold/pre-rinse	•
Glasses	•
Plastic	•
EnergySave/Economy	•
Intensive	•
Basket design	
MaxiComfort baskets	•
Patented 3D cutlery tray+	•
Features	
1 Combi dispenser/door for powder and liquid media	•
Wash cabinet made from high-quality stainless steel.	•
LED Lighting	•
AutoOpen assisted drying	•
ComfortClose	•
Perfect GlassCare	•
Adjustable final rinse temperature	•
Optical interface	•
SmartStart	•
FlexiTimer with EcoStart	•

PG 8133 SCVi [120V 60HZ 15A]

Fully integrated dishwasher with 3D+ cutlery tray
for large loads of dishware in households, offices and utility areas.



Test certificates and symbols	
CE	•
VDE	•
Interference suppression	•
EN 1717	•
UL	•
Complies with Machinery Directive 2006/4 2/EC	•