



Quick Start Guide Built-in Coffee System



This quick guide is **not** a substitute for the Operating and Installation Instructions. It is essential to read the operating and Installation Instructions to familiarize yourself with how to use the coffee machine before using it for the first time. For this reason, read the Operating and Installation Instructions carefully while paying particular attention to the IMPORTANT SAFETY INSTRUCTIONS.

Settings

Changing settings

- Tap "Settings".
 - Select the required setting with the arrow keys and confirm with OK.
 - Options which are currently selected will have a checkmark next to them.
 - Change the setting using the arrow keys.
 - Tap the OK button to save the setting.
- Tapping ↵ takes you back to the previous menu.

| Menu item | Available settings | Comments |
|--------------------|--|---|
| Language | German, English, other languages Country | If you select the wrong language by mistake, you can find the "Language" option by following the symbol. |
| Time of day | Display (On / Off / Night dimming) Clock format (12 h / 24 h) Set | Depending on which option you select, the machine may use more energy. A message about this will appear in the display. |
| Date | Year / Month / Day | |
| Timer | Timer 1 (Turn on at, Turn off at, Turn off after) Timer 2 (Turn on at, Turn off at) | For "Turn on at" and "Turn off at" to be set, the timer must be activated and at least one day of the week must be allocated. |
| Eco mode | On / Off | |
| Lighting | Brightness (machine turned on or turned off) Turn off after | To turn off the lighting, tap the arrow key ∨ until no segments are filled and "Turned off" appears. |
| Info | | Number of drinks "No. of portions until appliance needs descaling" / "No. of portions until brew unit needs degreasing" |
| System lock | On / Off | When the system lock is activated, the "Turn on at" option for the timer cannot be selected. |
| Water hardness | Soft, medium, hard, very hard | |
| Display brightness | Set | |
| Volume | Signal tones Keypad tones | To turn off the tones, tap the arrow key ∨ until no segments are filled and "Turned off" appears. |
| Showroom program | Demo mode (On / Off) | Intended only for presentations in stores. For private use, this function is not required. |
| Factory settings | Reset Do not reset | |
| Mains water | On / Off | (Only for CVA 6405) |

TIPS FOR USE

fold here

Tips for use

Changing the portion size

The changed portion size is always saved in the current profile. The name of the current profile is shown in the top left of the display.

Changing the portion size during drink preparation

- Place the desired cup under the main dispenser.
- Tap and hold the button for the desired drink until "Change" appears in the display.

If you want to change portion sizes for Cappuccino, Latte macchiato or Caffè latte, the ingredients will be shown in the display.

| | |
|-----------------|--------------------------------|
| Cappuccino | Milk froth, espresso |
| Latte macchiato | Hot milk, milk froth, espresso |
| Caffè latte | Hot milk, coffee |

- Select all ingredients for which you wish to alter the portion size. Use the OK button to confirm your individual selections.
- Use the arrow keys to highlight "Start". Then tap the OK button.

The drink will be prepared and "Save" will appear in the display.

When the quantity for each ingredient reaches the level you want, tap the OK button.

- Save the required portion size for the selected ingredients.

The programmed composition and the portion size will now be dispensed every time that particular drink is selected.

Tip: You can cancel portion size programming as long as "Stop" is visible in the display.

CLEANING AND CARE / DESCALING

fold here

Descaling

Descaling **must be carried out** and takes approx. 20 minutes.

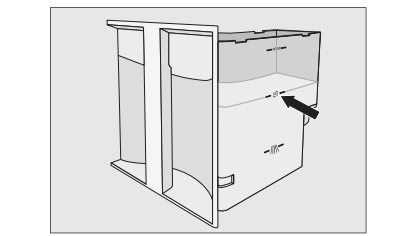
- You will need **2** descaling tablets.

The cleaning process cannot be canceled once it has started. The process has to be carried through to the end.

- Tap and select "Maintenance" and then "Descal the appliance." Then tap the OK button.

The descaling process will now start.

- Follow the instructions in the display.



- Fill the water container with lukewarm water up to the 7 symbol and drop 2 descaling tablets in it. Push the water container back into the machine.

Follow the instructions on the packet for the mixing ratio carefully. It is important that you fill the water container with the correct amount of water (not less or more), otherwise descaling will be cut short and must then be repeated. The descaling program will otherwise be canceled prematurely and will need to be repeated.

When "Rinse the water container and fill with fresh tap water up to the descaling symbol appears in the display,

- remove the water container and rinse it carefully with clean water.

Ensure that no descaling solution residue remains in the water container.

The descaling program is finished when "Process complete" appears in the display.

fold here

Cleaning and care

Cleaning the milk pipework

The milk pipework **must** be cleaned with the original Miele cleaning agent for milk pipework. Cleaning takes approx. 7 minutes.

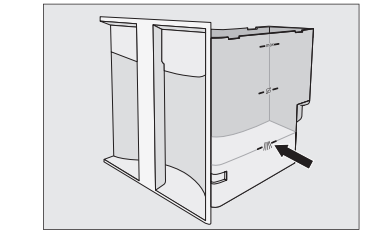
You need **one** sachet of the Miele cleaning agent for milk pipework.

The cleaning process cannot be canceled once it has started. The process has to be carried through to the end.

- Tap and select "Maintenance" and then "Clean milk pipework." Then tap the OK button.

The cleaning process will start.

- Follow the instructions in the display.



- Fill the water container with lukewarm water up to the symbol and add 1 sachet of the Original Miele cleaning agent for milk pipework. Push the water container back into the machine.

When "Rinse and refill the water container" appears in the display:

- remove the water container and rinse it carefully with clean water.

Ensure that no cleaning agent is left in the water container.

The cleaning process is finished when "Process complete" appears in the display.

fold here

Degreasing the brew unit

After 200 portions have been dispensed, "Degrease the brew unit" will appear in the display. This message will not go out until the brew unit has been degreased.

You need 1 Miele cleaning tablet to degrease the brew unit. The process takes approx. 10 minutes.

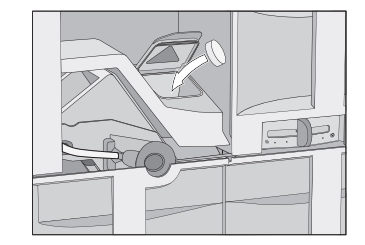
The cleaning process cannot be canceled once it has started. The process has to be carried through to the end.

- Tap and select "Maintenance" and then "Degrease the brew unit." Then tap the OK button.

The process will start.

- Follow the instructions in the display.

When "Place a cleaning tablet in the ground coffee chute and close" appears in the display:



- Remove the coffee chute cover and open the lid of the coffee chute. Place a cleaning tablet in the coffee chute.

- Follow the further instructions given in the display.

The degreasing process is finished when "Process complete" appears in the display.

When "Rinse the water container and fill with fresh tap water up to the descaling symbol appears in the display,

- remove the water container and rinse it carefully with clean water.

Ensure that no descaling solution residue remains in the water container.

The descaling program is finished when "Process complete" appears in the display.

fold here

Important information

Before using for the first time

The coffee machine must be correctly installed and connected before it is used for the first time.

For more information please see the Operating and Installation Instructions.

■ Clean the appliance and the milk container thoroughly before filling with water and coffee beans.

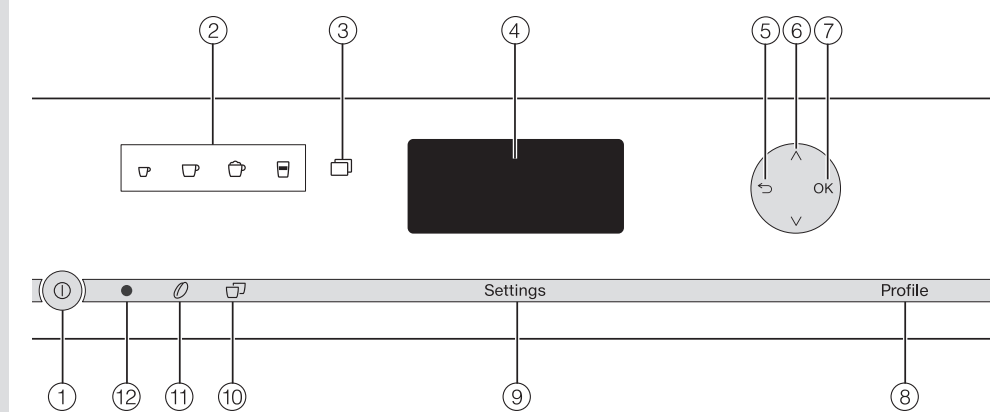
■ Please see the information in the "Cleaning and care" chapter in the Operating and Installation Instructions.

Water hardness

Program the coffee machine to the water hardness level of your area so that it functions correctly and does not get damaged.

See the Operating and Installation Instructions for detailed information.

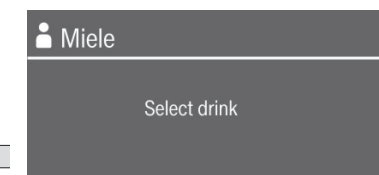
Control and display elements



| | | |
|----|---------------------|---|
| 1 | On/Off button | Turn on and off |
| 2 | Drink buttons | For making ☐ Espresso ☐ Coffee ☐ Cappuccino ☐ Latte macchiato |
| 3 | Additional programs | Additional drinks such as long coffee, caffè latte, hot milk, milk froth, and hot water "Maintenance" menu |
| 4 | Display | Shows information about the current action or status |
| 5 | "Back" button | For returning to the previous menu, canceling unwanted actions |
| 6 | Arrow keys | For displaying further options and highlighting a selection. |
| 7 | OK button | For confirming display messages and saving settings |
| 8 | Profile | For saving and editing profiles |
| 9 | Settings | For altering settings, displaying information or checking which settings are currently active. |
| 10 | Two portions button | For making two portions of a drink |
| 11 | Parameters button | Check or change settings for preparing coffee |
| 12 | Optical interface | (for Miele customer service only) |

Operation

You are in the drinks menu when the following appears in the display:

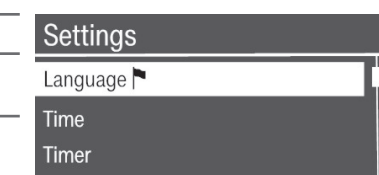


To make a drink, tap one of the drink buttons.

Selecting a menu and navigating within a menu

To select a menu, tap the relevant button. The arrow keys allow you to display further settings.

The setting which is currently selected will have a checkmark beside it.



To select a setting use the arrow keys until the setting you want is highlighted in white. Tap the OK button to confirm your selection.

Exiting a menu or canceling an action

To leave the current menu, tap the "Back" button.

If none of the buttons have been tapped for a while, the coffee machine will revert to the drinks menu.

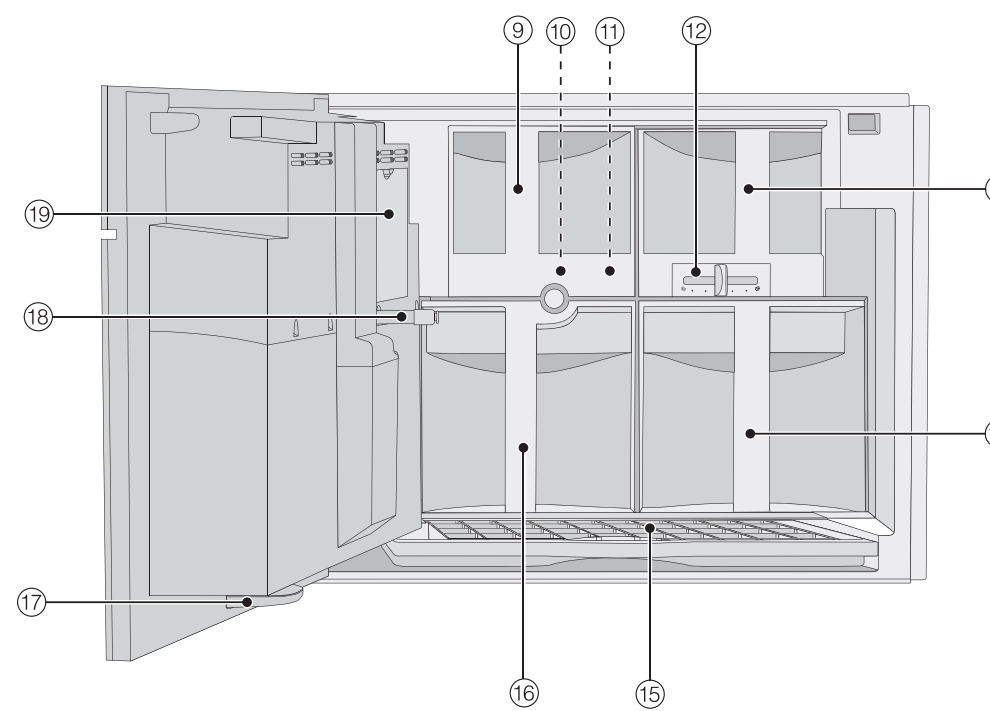
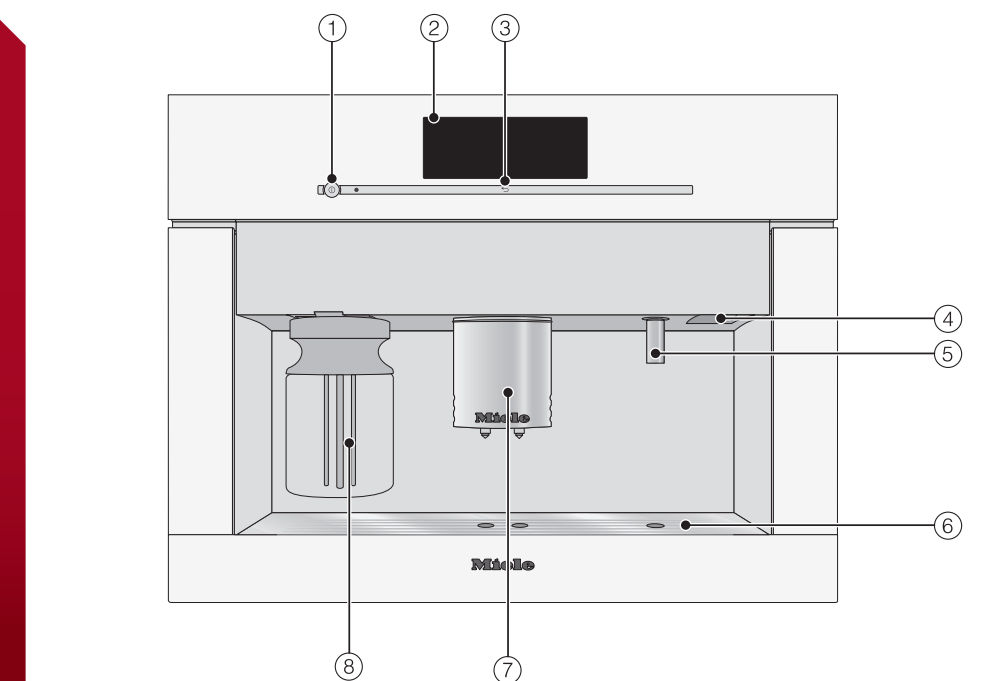
Description

Front view

- On/Off button
- Control and display elements
- Door handle
- Steam and hot water dispenser
- Drip tray
- Main dispenser (height-adjustable with lighting)
- Milk container with lid

Interior view

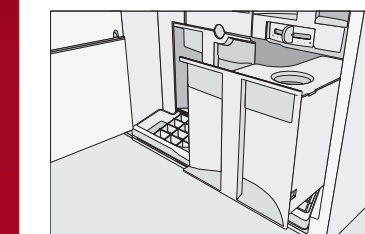
- Ground coffee chute cover
- Brew unit
- Ground coffee chute
- Grind control lever
- Coffee bean container
- Water container
- Drip tray with grid
- Waste container
- Drip tray inside machine door
- Main dispenser connector cap
- Service lid



Preparing for use

Filling the water container

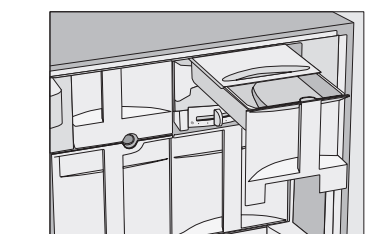
Change the water **every day** to prevent a build-up of bacteria.



■ Fill the water container with fresh, cold tap water up to the "Max" marker.

Filling the coffee bean container

Attention! **Only** put roasted espresso/coffee beans in the container.



■ Open the appliance door and remove the coffee bean container.
■ Fill the container with roasted coffee beans.

Making drinks

Making espresso or coffee

- Place a cup under the main dispenser.
 - Tap the button for the desired drink.
- ☐ Espresso
☐ Coffee
☐ In "Additional programs": Long coffee

The desired drink will be dispensed from the main dispenser into the cup.

Making two portions

■ Place one cup under each of the coffee spouts.



- Tap ☐.
- Tap the sensor button for the drink you want.

Two portions of the desired drink will be dispensed from the main dispenser.

Canceling preparation

Drink preparation can be canceled as long as "Stop" is visible in the display.

■ Tap the OK button.
When making two portions at once, tapping the OK button once will stop the first drink.

To cancel both portions,
■ keep your finger on the OK button a bit longer.

Drinks with milk

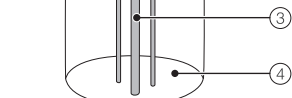
Notes on the milk container

Milk is not cooled in the milk container. Therefore, place the milk flask in the refrigerator if you are not going to use milk for a while.

Cold milk (below 55°F/13°C) gives the best results for milk froth.

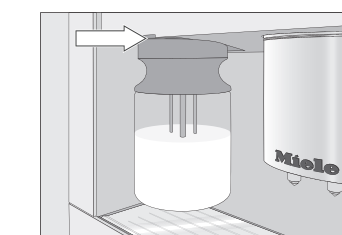
Preparing drinks with milk

- Place a suitable cup underneath the main dispenser.
 - Tap the button for the desired drink.
- ☐ Cappuccino
☐ Latte macchiato
☐ "Additional programs": Caffè Latte, Hot Milk, Milk Froth



- Lid
- Sensor rod
- Milk intake tube
- Glass container

■ Fill the milk container up to a maximum of 3/4" (2 cm) below the rim.



■ Push the milk container into the coffee machine.

Hot water

Place a suitable cup underneath the hot water dispenser.

- Tap ☐ and select "Hot water." Then tap the OK button.

Hot water will be dispensed into the vessel under the hot water dispenser.

To cancel preparation,
■ tap the OK button.

The coffee machine will now prepare the desired drink.

Cleaning and care

Please observe the detailed information on cleaning and care in the Operating and Installation Instructions. Clean the coffee machine every day after use.

| Recommended frequency | What do I need to clean / maintain? |
|---------------------------------------|---|
| Daily (at the end of the day) | <ul style="list-style-type: none"> Milk container with lid Water container Waste unit Drip tray and drip tray cover |
| Once a week (or more often if needed) | <ul style="list-style-type: none"> Main dispenser Main dispenser connector Clean the milk valve with the cleaning brush Interior Small drip tray inside the machine door Brew unit Front of the machine (especially immediately after descaling) |
| Once a month | <ul style="list-style-type: none"> Lubricate the cap on the main dispenser connector |
| When prompted | <ul style="list-style-type: none"> Milk pipework (with the original Miele cleaning agent for milk pipework) Brew unit (degrease with the cleaning tablets) Descalate the machine |
| as required | <ul style="list-style-type: none"> Coffee bean container Blocked milk pipework |

The following parts must **not** be cleaned in a dishwasher:

- Main dispenser cover
- Brew unit
- Coffee bean container and lid
- Service flap

All other removable components of the coffee machine are dishwasher safe.