

H 6660 BP AM

24 Inch Convection Oven

with AirClean catalyzer and Roast probe for precise cooking.



- TFT clear text display with touch operation - SensorTronic
- Achieve perfect results with ease – Automatic programs
- Minimal cleaning effort - Self-cleaning
- Precise temperature roasting - Roast probe
- Lots of room and versatility

EAN: 4002515464151 / material number: 09862880

Construction type	
Built-in wall oven	•
Design	
PureLine	•
Appliance color	Brilliant white
Control panel	SensorTronic
Convenience features	
Precise temperature control	75 – 575 °F
Roast probe	•
Operating modes	
Defrost	•
MasterChef automatic programs	More than 100
Auto roast	•
Gentle bake	•
Broil	•
Broil	•
Convection Bake	•
Intensive bake	•
Slow roast	•
Surround	•
Browning	•
Bake	•
Convection Broil	•
Special modes	•
Control panel	
MultiLingua	•
Time of day display	•
Date display	•
Minute minder	•
Time buffer in h	200
Start-stop programming	•
Automatic switch-off	•
Programmable cooking time	•
Entry via number keypad	•
Actual temperature display	•
Default temperatures	•
Acoustic signal when desired temperature is reached	•
Sabbath program	•
Individual settings	•
Door	
CleanGlass door	•
Door contact switch	•
Door hinge side	Bottom
Cavity	
Cavity volume in cu.ft(l)	2.68 (76)
No. of rack levels	5
Labeling of rack levels	•
No. of halogen lamps	double

More information at www.MieleUSA.com

For further information please see next page...

H 6660 BP AM

24 Inch Convection Oven

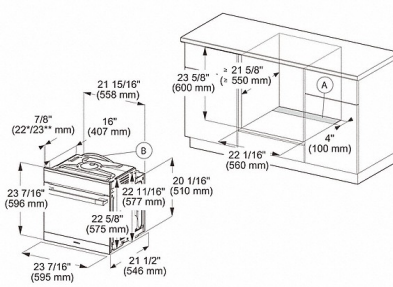
with AirClean catalyzer and Roast probe for precise cooking.



Cleaning convenience	
Self-cleaning	•
AirClean catalyzer	•
Foldable broil heater element	•
Efficiency and sustainability	
Energy-saving lighting circuit	•
Residual heat utilization	•
Rapid PreHeat	•
Safety	
Appliance cooling system with cool touch front	•
Safety cut-out	•
System lock	•
Door contact switch	•
Door lock during self cleaning	•
Technical data	
Niche depth in in. (mm)	21 3/4 (550)
Appliance width in in.(mm)	21 13/16 (554)
Appliance height in in.(mm)	22 7/8 (579)
Weight in lbs. (kg)	103.62 (47.0)
Total connected load in kW	3.7
Voltage in V	240/208
Fuse rating in A	30
Number of phases	1
Standard accessories	
Universal baking tray with PerfectClean	1
Baking tray with PerfectClean	1
Self Clean ready baking and roasting rack	1
Connection wire with plug	•

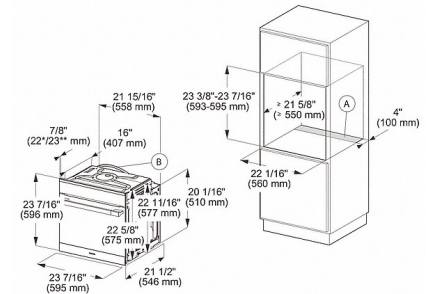
H 6660 BP AM

24 Inch Convection Oven
with AirClean catalyzer and Roast probe for precise cooking.



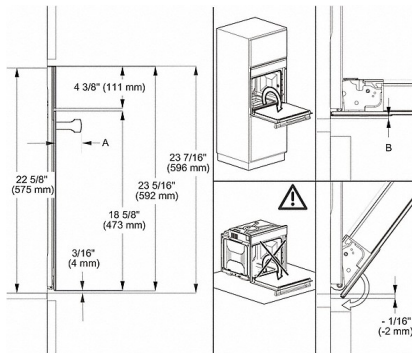
H 6000 BP, 60 cm (Installation drawing) - USA

A= Cut-out (4"x22" / 100 mm x 560 mm) in the bottom of the cabinet for power cord and Ventilation
B= Power cord with plug
* Oven with glass front
** Oven with metal front



H 6000 BP, 60 cm (Installation drawing) - USA

A= Cut-out (4"x22" / 100 mm x 560 mm) in the bottom of the cabinet for power cord and Ventilation
B= Power cord with plug
* Oven with glass front
** Oven with metal front



H 6000 BP, 60 cm (Installation drawing) - USA

A =
H65xx: 2 11/16" (69 mm)
H66xx: 1 5/8" (42 mm)

B =
Oven with glass front: 1/15" (2.2 mm)
Oven with metal front: 1/15" (1.2 mm)