

KM 2355 G

Gas cooktop

in maximum width for the best possible cooking and user convenience.



- Simple controls -single-handed operation via rotary dial control
- Modern design - 35 1/8 (892)Inch wide for flush-mounted installation
- Particularly versatile - 5 burners incl. 1 dual wok
- Extremely safe - GasStop function
- Easy cleaning - ComfortClean dishwasher-safe grates

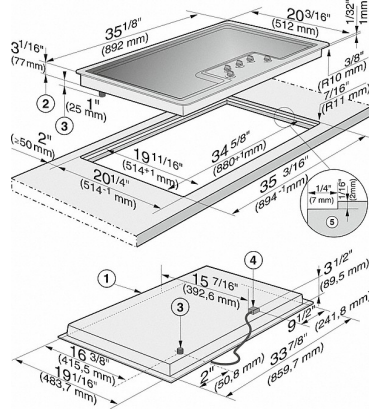
EAN: 4002515214084 / material number: 09450190

Type of heating	
Fuel type	Gas
Construction type	
Independent of oven	•
Design	
Flush-mounted stainless steel cooktop	•
Miele logo embossed in stainless steel	•
Cast iron pot rest (matte black enameled)	•
Ring features	
No. of rings	5
Ring	
Position	front left
Type	Economy burner
Max. rating in W	1000
Position	rear left
Type	High-speed burner
Max. rating in W	2700
Position	Centred
Type	Dual wok burner
Max. rating in W	4500
Position	rear right
Type	Standard burner
Max. rating in W	1700
Position	front right
Type	Standard burner
Max. rating in W	1700
Control panel	
Operation via knobs	•
Electronic ignition with one-handed operation	•
Cleaning convenience	
Dishwasher-safe trivets	•
Safety	
GasStop	•
Technical data	
Dimensions in in. (width)	35 1/8 (892)
Dimensions (height) in in.(mm)	3 (75)
Dimensions (depth) in in.(mm)	20 1/4 (512)
Cutout dimensions in in. (width) with proud-mounted installation	35 1/4 (894)
Cutout dimensions in in. (depth) with proud-mounted installation	20 1/4 (514)
Weight in lbs. (kg)	41 (19)
Total connected load in kW	11.3
Power cord length in m	3 (1.2)
Standard accessories	
Connection wire	•
Wok ring	•
Small trivet	•

KM 2355 G

Gas cooktop

in maximum width for the best possible cooking and user convenience.



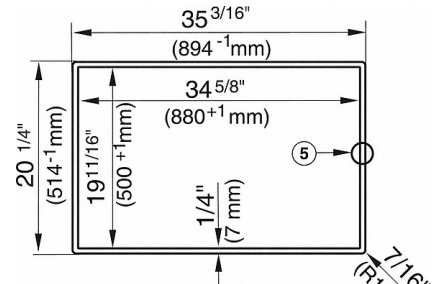
KM 2355 (Installation drawing)

- 1) Appliance front
- 2) Installation height
- 3) Power supply box with Connection cable, L = 4ft (1.2 m)
- 4) Gas connection

Building-in information:

Flush mounted gas cooktops are only suitable for installation in granite, marble, or tiled or solid Wood countertops.

The cooktop must be accessible from below for servicing purposes and to ensure that the seal around it is not dislodged. As the ceramic glass and the countertop cut-out have a certain dimensional tolerances, the size of gap can vary.



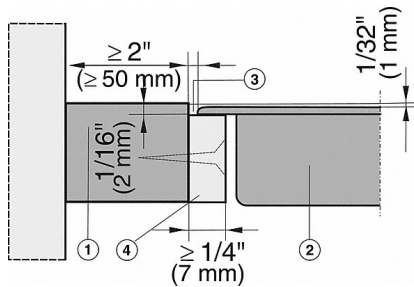
KM 2355 (Installation drawing) - Cut-outs for marble worktops - USA

5. Stepped cut-out

Building-in information:

Flush mounted gas cooktops are only suitable for installation in granite, marble, or tiled or solid Wood countertops.

The cooktop must be accessible from below for servicing purposes and to ensure that the seal around it is not dislodged. As the ceramic glass and the countertop cut-out have a certain dimensional tolerances, the size of gap can vary.



KM 2355 (Installation drawing) - Installation in solid wood or tiled worktops - USA

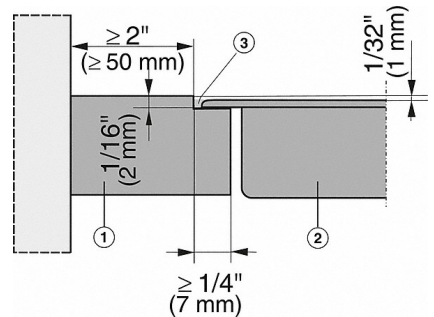
- 1) Countertop
- 2) Cooktop
- 3) Gap
- 4) Wooden Frame 1/4" (7 mm) (to be provided on site)

Building-in information:

Flush mounted gas cooktops are only suitable for installation in granite, marble, tiled or solid wood countertops.

The cooktop must be accessible from below for servicing purposes and to ensure that the seal around it is not dislodged.

As the ceramic glass and the countertop cut-out have a certain dimensional tolerances, the size of gap can vary.



KM 2355 (Installation drawing) - Installation in granite and marble countertops - USA

- 1) Countertop
- 2) Cooktop
- 3) Gap

Building-in information:

Flush mounted gas cooktops are only suitable for installation in granite, marble, tiled or solid wood countertops.

The cooktop must be accessible from below for servicing purposes and to ensure that the seal around it is not dislodged.

As the ceramic glass and the countertop cut-out have a certain dimensional tolerances, the size of gap can vary.