



20 cu. ft. French Door Refrigerator

WRF550CDH



Fingerprint-Resistant Stainless
WRF550CDHZ

Capacity

Total Capacity	20 cu. ft.
Refrigerator Capacity	16 cu. ft.
Freezer Capacity	5 cu. ft.

General Features & Properties

Humidity-Controlled Crispers
Fingerprint Resistant
Two-Tier Freezer Storage
Spillproof Glass Shelves
Factory-Installed Icemaker
Exterior Ice and Water Dispenser with EveryDrop® Filtration
LED Interior Lighting
Fast Cool Option
Adaptive Defrost

Electrical Details

Amps	20
Volts	115

Technical Details

Refrigerator Type	French Door
Number of Doors	3
Number of Interior Refrigerator Shelves	5
Number of Refrigerator Door Bins	2 Adjustable, 4 Fixed
Number of Interior Freezer Shelves	3 Plastic
Lighting Type	LED
Ice Maker	Factory Installed
Ice Maker Location	Refrigerator
Dispenser Type	Exterior Ice and Water

Dimensions

Product Dimensions (H x W x D)	70-1/8" x 35-7/8" x 30-3/4"
Depth with Door Open 90°	43"
Cutout Dimensions	Allow extra 1/2" on sides and top Allow extra 1" on rear

Reference Material

- [Dimension Guide](#)
- [Use & Care Guide](#)
- [Energy Guide](#)
- [Warranty](#)

Key Features & Benefits

Counter Depth Design

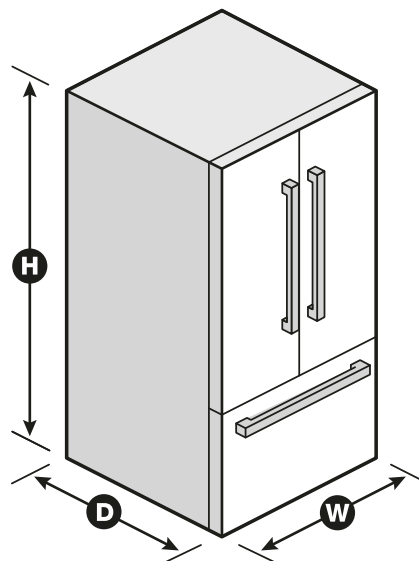
Add additional kitchen space with styling that fits virtually flush with the countertop.

Adjustable Gallon Door Bins

Move these adjustable bins anywhere in the door for increased loading flexibility.

Temperature-Controlled Full-Width Drawer

Store wide items like party platters and sheet cakes or preserve large amounts of meat and cheese at just the right temperature.



NOTE: Dimensions are for planning purposes only. For complete details, see Installation Instructions packed with product. Specifications subject to change without notice.

®/™ © 2020. All rights reserved. Printed in the U.S.A. D200052XXC. WRF550CDHSPECSHEETV01.