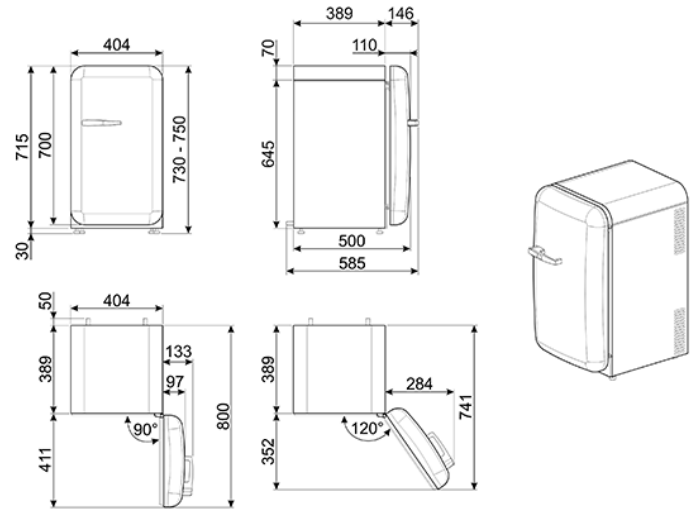


Retro-Style Mini Refrigerator, Right-hand hinge, Black
EAN13: 8017709289799



• **AESTHETIC** • Retro-style mini refrigerator • Compact-size unit, SMEG FAB5 comes in a rich variety of colors • **TECHNICAL SPECIFICATIONS** • Automatic defrost • LED internal lighting • 2 adjustable shelves • 2 door bins • "**SMART SYSTEM**" special feature: Especially designed for hotel rooms, FAB5's Smart System alternates "on" and "off" phases, based on the presence of guests in the room. A "cold reserve" maintains the temperature low with a minimum amount of 6 hours of operation per day* • **DIMENSIONS** • Dimensions (HxWxD): 29 1/8" x 15 7/8" x 19 11/16" • **Capacity: 1.34 cu. ft.** • Net Weight: 46 lbs. • **ELECTRICAL SPECIFICATIONS** • Voltage: 120V • Frequency: 60Hz • *The use of the SMART SYSTEM requires the presence in the room of an "energy-saving" device: a card-holder designed to save energy

Versions

- FAB5ULBL3 - Left-hand hinge, Black