

## FAB28ULWH3 New product

### 50's Retro style

24" retro-style fridge, White, Left-hand hinge

EAN13: 8017709271909

#### REFRIGERATOR

Multi-flow cooling system

Fresh food capacity: 9 cu. ft.

Life plus zone 28 - 37°F

LED internal light

Automatic defrost

3 adjustable glass shelves

Glass crisper cover

Fruit and vegetable drawer on telescopic guides

Inner door with 1 adjustable shelf and 1 bottle shelf with wire support

#### FREEZER

Frozen food capacity: 0.92 cu. ft.

Ice cube tray

#### DOOR

1 bin with transparent cover

1 bottle storage bin

2 adjustable storage bins

#### TECHNICAL FEATURES

Energy consumption: 230 kWh/year

Voltage: 120 V

Frequency: 60 Hz

Noise level: 38 dB(A)

Dimensions (HxWxD): 60 1/4" x 23 5/8" x 30 1/4" (handle included)

Dimensions (with door opened to 90°) (HxWxD): 60 1/4" x 30 1/16" x 47 1/8"

Net weight: 156 lbs



## Functions



## Versions

- **FAB28URWH3** - White, Right Hand Hinge



**FAB28ULWH3**

50's Retro style

fridge  
free standing  
white  
24"



**Energy Star and ISO14001 Certified:**

The SMEG production process is carefully-managed in order to limit the environmental impact as much as possible. The ISO process is checked and certified by Independent International bodies IQNET and CISQ (SMEG complies with the standard ISO14001). All SMEG dishwashers and every new refrigerator model are ENERGY STAR-qualified through the US Department of Energy and US Environmental Protection Agency. Energy efficiency is important to SMEG, and our engineers are constantly working to keep the energy and water consumption of each dishwasher and refrigerator as low as-possible. ENERGY STAR-certified products use approximately 40% less energy than the federal minimum standard for energy consumption. By choosing an ENERGY STAR-certified product, you are helping to preserve the environment without compromising on product quality or performance.



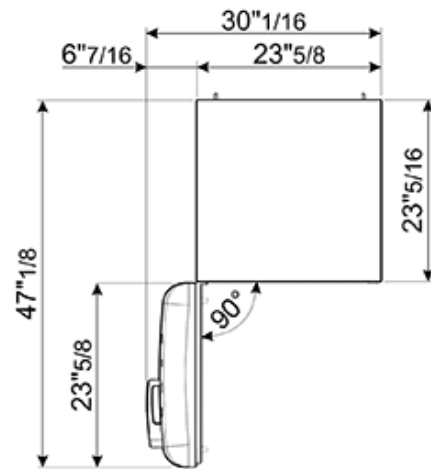
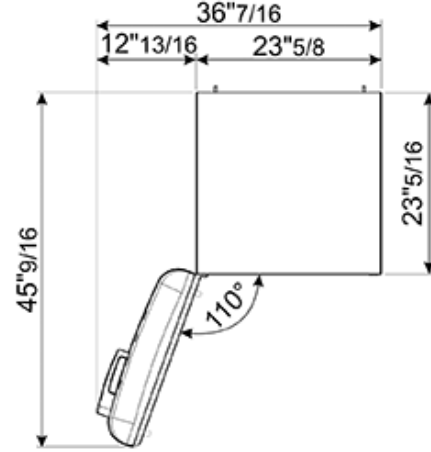
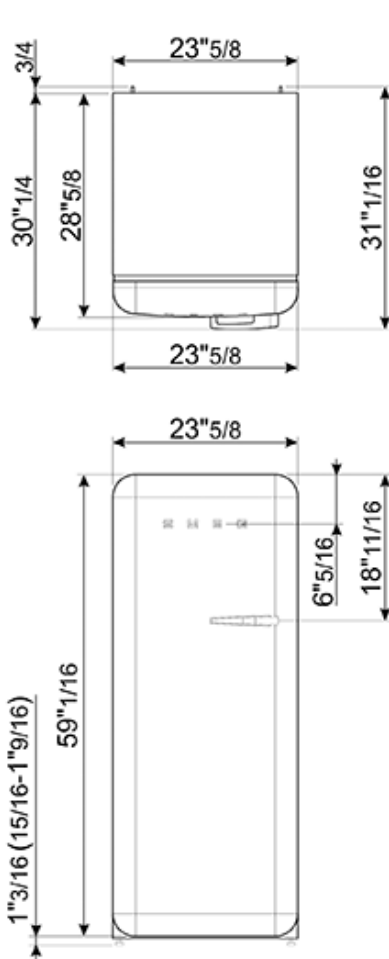
**SMEG U.S.A. INC.  
A&D BUILDING  
150 EAST 58th STREET, 7th FLOOR  
NEW YORK, NY, 10155  
Tel. +1 212 265 5378  
Fax +1 212 265 5945**



# FAB28ULWH3

50's Retro style

fridge  
free standing  
white  
24"



SMEG U.S.A. INC.  
A&D BUILDING  
150 EAST 58th STREET, 7th FLOOR  
NEW YORK, NY, 10155  
Tel. +1 212 265 5378  
Fax +1 212 265 5945