

FAB32ULPB3 New product

50's Retro style

'50s Style 'No Frost' Fridge-Freezer, Pastel Blue,
Left Hand Hinge, 60 cm (Approx 24")

EAN13: 8017709272005

REFRIGERATOR

Multiflow Cooling System

Fresh food capacity: 8.26 cu ft

Life plus zone 28 - 37°F with electronic control

LED internal light

Digital display with independent double temperature control
(refrigerator and freezer)

Special function: Holiday, Fast freezing, Fast cooling,
Temperature alarm

3 adjustable glass shelves

Glass crisper cover

Fruit and vegetables drawer on telescopic guides

FREEZER

3 drawers

Frozen food capacity: 3.43 cu ft

DOOR

1 bin with transparent cover

1 bottle storage bin

2 adjustable bins

TECHNICAL FEATURES

Energy consumption: 378 kWh/year

Voltage: 120 V

Frequency: 60 Hz

Noise level: 37 dB(A)

Dimensions (HxWxD): 77 1/2" x 23 2/3" x 30 1/4" (handle included)

Dimensions door opened at 90° (HxWxD): 77 1/2" x 30 1/16" x 47 1/8"

Net weight: 211 lbs



Functions



Versions

- **FAB32URPB3** - Pastel Blue, Right Hand Hinge



FAB32ULPB3

50's Retro style

fridge
free standing
combined
pastel blue
24"



Energy Star and ISO14001 Certified:

The Smeg production process is carefully managed in order to keep the impact upon the environment as low as possible. The process is checked and certified by Independent International bodies IQNET and CISQ (Smeg complies with the standard ISO14001). All Smeg dishwashers are ENERGY STAR qualified. Energy efficiency is important to Smeg and our technicians are constantly working to keep the energy, and water, consumption of each dishwasher as low as possible. ENERGY STAR certified products use less water than conventional dishwashers, and approximately 40% less energy than the federal minimum standard for energy consumption. By choosing an ENERGY STAR certified product you are helping to preserve the environment without compromising on product quality or performance.



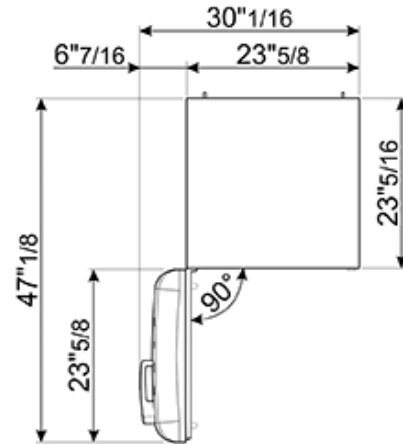
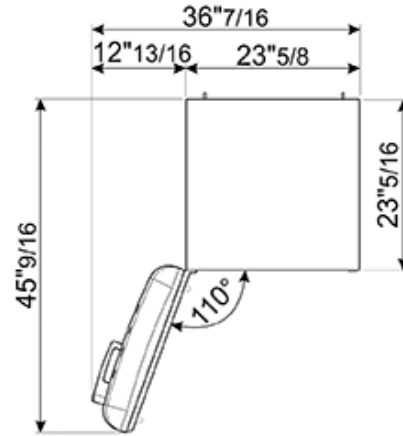
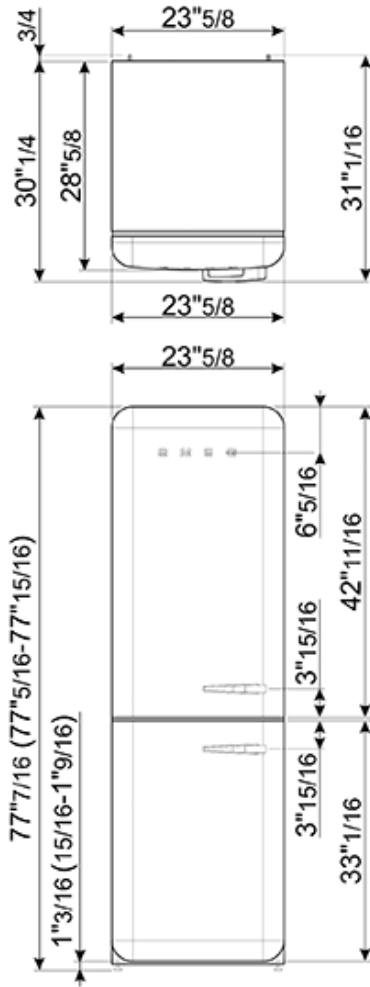
SMEG U.S.A. INC.
A&D BUILDING
150 EAST 58th STREET, 7th FLOOR
NEW YORK, NY, 10155
Tel. +1 212 265 5378
Fax +1 212 265 5945



FAB32ULPB3

50's Retro style

fridge
free standing
combined
pastel blue
24'''



SMEG U.S.A. INC.
A&D BUILDING
150 EAST 58th STREET, 7th FLOOR
NEW YORK, NY, 10155
Tel. +1 212 265 5378
Fax +1 212 265 5945