

## FAB32ULWH3 New product

### 50's Retro style

'50s Style 'No Frost' Fridge-Freezer, White,  
Left Hand Hinge, 60 cm (Approx 24")

EAN13: 8017709272098

#### REFRIGERATOR

Multiflow Cooling System

Fresh food capacity: 8.26 cu ft

Life plus zone 28 - 37°F with electronic control

LED internal light

Digital display with independent double temperature control  
(refrigerator and freezer)

Special function: Holiday, Fast freezing, Fast cooling,  
Temperature alarm

3 adjustable glass shelves

Glass crisper cover

Fruit and vegetables drawer on telescopic guides

#### FREEZER

3 drawers

Frozen food capacity: 3.43 cu ft

#### DOOR

1 bin with transparent cover

1 bottle storage bin

2 adjustable bins

#### TECHNICAL FEATURES

Energy consumption: 378 kWh/year

Voltage: 120 V

Frequency: 60 Hz

Noise level: 37 dB(A)

Dimensions (HxWxD): 77 1/2" x 23 2/3" x 30 1/4" (handle included)

Dimensions door opened at 90° (HxWxD): 77 1/2" x 30 1/16" x 47 1/8"

Net weight: 211 lbs



## Functions



## Versions

- **FAB32URWH3** - White, Right Hand Hinge



## FAB32ULWH3

50's Retro style

fridge  
free standing  
combined  
white  
24"



### Energy Star and ISO14001 Certified:

The Smeg production process is carefully managed in order to keep the impact upon the environment as low as possible. The process is checked and certified by Independent International bodies IQNET and CISQ (Smeg complies with the standard ISO14001). All Smeg dishwashers are ENERGY STAR qualified. Energy efficiency is important to Smeg and our technicians are constantly working to keep the energy, and water, consumption of each dishwasher as low as possible. ENERGY STAR certified products use less water than conventional dishwashers, and approximately 40% less energy than the federal minimum standard for energy consumption. By choosing an ENERGY STAR certified product you are helping to preserve the environment without compromising on product quality or performance.



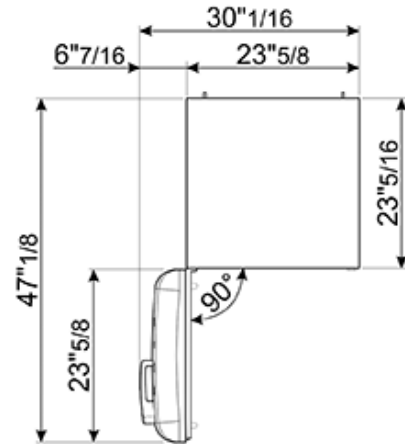
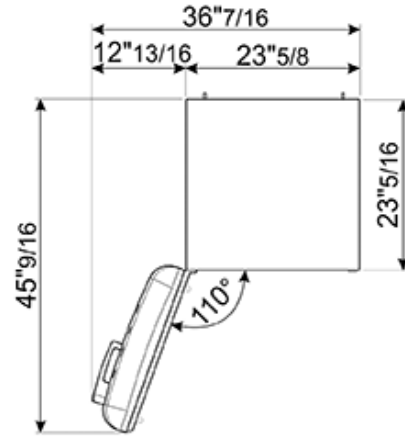
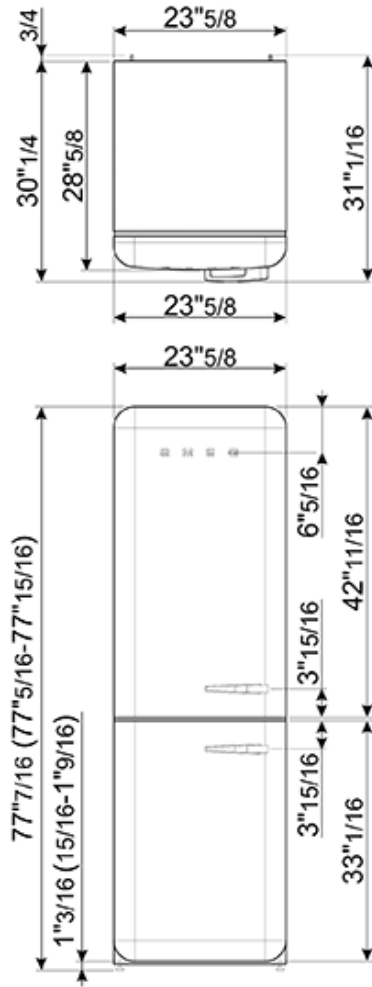
**SMEG U.S.A. INC.  
A&D BUILDING  
150 EAST 58th STREET, 7th FLOOR  
NEW YORK, NY, 10155  
Tel. +1 212 265 5378  
Fax +1 212 265 5945**



# FAB32ULWH3

50's Retro style

- fridge
- free standing
- combined
- white
- 24"



SMEG U.S.A. INC.  
 A&D BUILDING  
 150 EAST 58th STREET, 7th FLOOR  
 NEW YORK, NY, 10155  
 Tel. +1 212 265 5378  
 Fax +1 212 265 5945