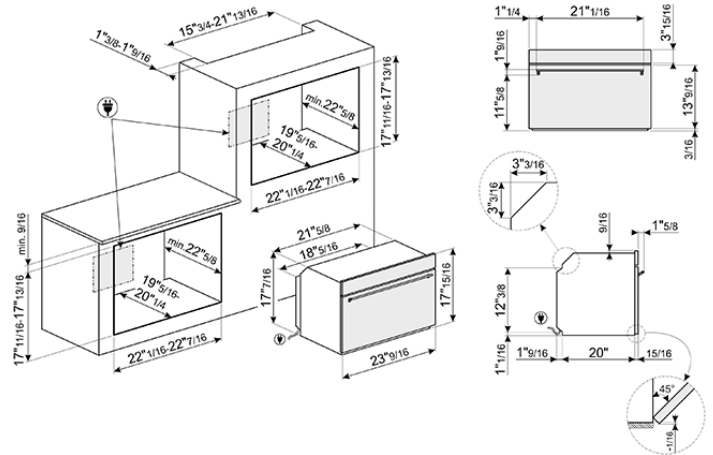


24" Classic Speed Oven
 EAN13: 8017709250775



• **AESTHETIC** • **Classic Design** • Fingerprint-proof stainless steel and "Smart-black" glass • **Compact LCD display** • **TECHNICAL SPECIFICATIONS** • Speed oven with 13 cooking modes • **20 automatic cooking programs** • Defrost function programmed by weight or by time • Electronic temperature control, with ergonomic knobs • **Soft-closing door** • **True European convection** • Rapid pre-heating • **"Vapor-Clean" system** • "Ever-Clean" enamel cavity for quick and easy cleaning • Air-cooled, triple-glazed door ("Safe touch") • 12 5/8" glass turntable • 3 rack positions • Time-setting functions: Delayed start, Automatic end-of-cooking, Minute minder • 2 halogen lights • Automatic switch-off when door is open • **Sabbath mode** • Child lock • Bake element: 1,000 W • Grill element: 2,000 W • Circular heating element: 1,400 W • **GENERAL SPECIFICATIONS** • Oven dimensions (HxWxD): 18 1/16" x 23 9/16" x 22 1/2" (handle excluded) • Oven capacity: 1.77 cu. ft. • **ELECTRICAL SPECIFICATIONS** • Voltage rating: 240/120 V - 60 Hz • Nominal power: 3.5 kW • Current: 16 A • **INCLUDED ACCESSORIES** • 1 x partial-extraction telescopic guide rails • 1 x grid with back-stop • 1 x grid for tray • 1 x glass tray

Functions

