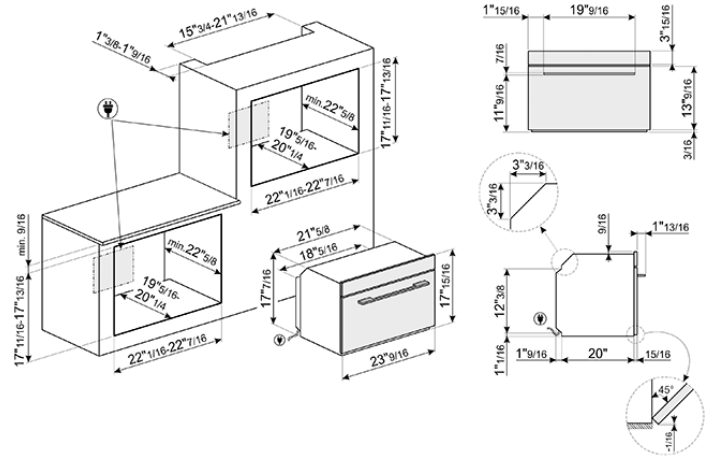


24" Linea Speed Oven
 EAN13: 8017709265823



• **AESTHETIC** • Linea Design • "Mystic-gray" glass finish • Full-color TFT touch screen display • **TECHNICAL SPECIFICATIONS** • Speed oven with 13 cooking modes • **50 automatic cooking programs** • Defrost programmed by weight or by time • **10 customizable recipes** • Electronic temperature control with touch screen • **Soft-closing door** • **True European convection** • Rapid pre-heating • "**Vapor-Clean**" system • "Ever-Clean" enamel cavity for quick and easy cleaning • Air-cooled, triple-glazed removable door ("Safe touch") • 3 rack positions • 12 5/8" size glass turntable • Time-setting functions: Delayed start, Automatic end-of-cooking, Minute minder • Automatic switch-off when door is open • 2 halogen lights • **Sabbath mode** • Child lock • Bake element: 1,000 W • Grill element: 2,000 W • Circular heating element: 1,400 W • **GENERAL SPECIFICATIONS** • Oven dimensions: 18 1/16" x 23 9/16" x 22 1/2" • Oven capacity: 1.77 cu. ft. • **ELECTRICAL SPECIFICATIONS** • Voltage rating: 240/120 V • Frequency: 60 Hz • Nominal power: 3 kW • Current: 16 A • **INCLUDED ACCESSORIES** • 1 x partial-extraction telescopic guide rails • 1 x grid with back-stop • 1 x grid for trays • 1 x glass tray

Functions

