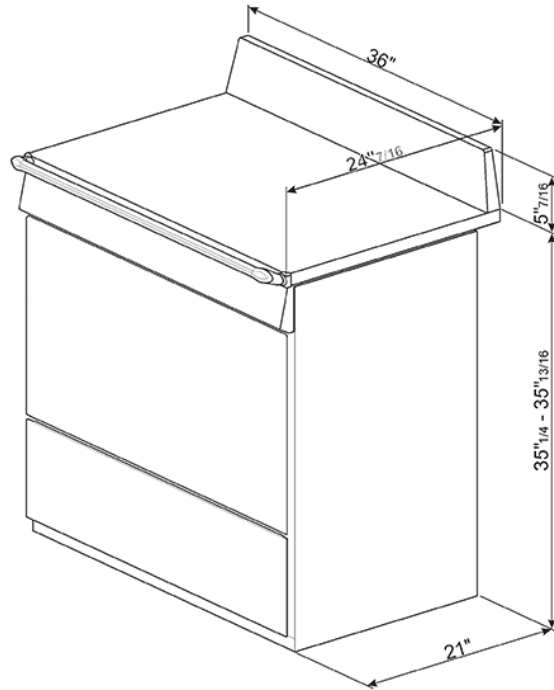




TRU36GGWH9

Free-Standing All-Gas Cavity "Victoria" Range,  
36" X 25", White  
EAN13: 8017709269722



• **Traditional Style** • Soft Close oven door • Full-width continuous grates • Stainless steel storage drawer beneath the oven • **GAS OVEN:** • 4 cooking modes • Programmable Timer with Touch display • Adjustable thermostat 120° - 500° F • Air-cooled triple-glazed removable door • **Triple Convection** • Oven capacity: 4.5 cu ft • **EverClean enameled interior cavity** • 5 shelf positions • 2 x halogen oven lights • **GAS RANGETOP:** • 5 gas burners • Right-rear: 8,000 BTUs • Left-rear: 8,000 BTUs • **Central double-inset super burner: 20,000 BTUs** • Right-front: 4,500 BTUs • Left-front: 12,000 BTUs • Heavy-duty cast-iron grates • Automatic electric ignition • LP gas conversion kit included • **SAFETY:** • Gas safety valves • Air-cooled door to prevent overheating • Connected load nominal power: 200 W - 2 Amps • Voltage rating: 120V 60Hz • **ACCESSORIES INCLUDED:** • 1 wok ring • 1 deep oven tray • 1 total-extraction telescopic guide • 2 chrome shelves • 1 Island trim

## Functions



Main Oven

## Options

• BGTR9 - Grill Plate • GT1T-2 - 1-Level Telescopic Shelf - Total Extraction • PPR9 - Pizza Stone • TPKTR9 - Teppanyaki Grill Plate