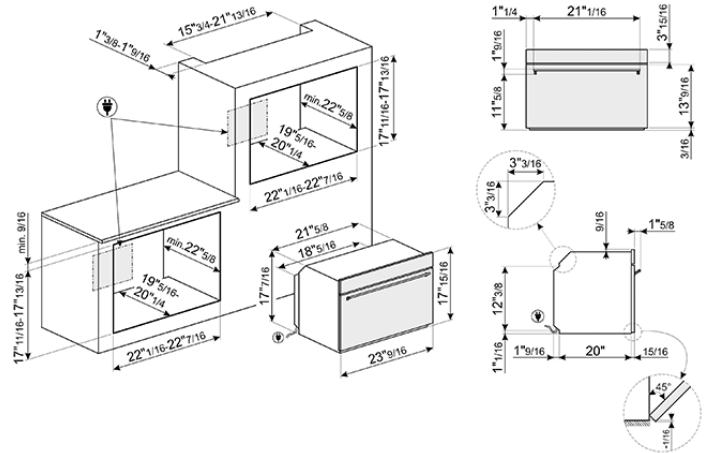


24" Classic Steam Oven  
 EAN13: 8017709252076



• **AESTHETIC** • **Classic Design** • Fingerprint-proof stainless steel and "Smart-black" glass • **Compact LCD display** • **TECHNICAL SPECIFICATIONS** • Steam oven with 14 cooking modes • **20 automatic cooking programs** • Electronic temperature control, with ergonomic knobs • **Soft-closing door** • **True European convection** • Rapid pre-heating • "**Vapor-Clean**" system • "Ever-Clean" enamel cavity for quick and easy cleaning • Air-cooled, triple-glazed removable door ("Safe touch") • 3 rack positions • Halogen internal light • Steam-assisted cooking functions stop when door is open • **Sabbath mode** • Child lock • Bake element: 1,000 W • Grill element: 2,000 W • Circular heating element: 1,400 W • **GENERAL SPECIFICATIONS** • Dimensions (HxWxD): 18 1/16" x 23 9/16" x 22 1/2" (handle excluded) • Oven capacity: 1.77 cu. ft. • Water tank capacity: 0.32 gal • **ELECTRICAL SPECIFICATIONS** • Voltage rating: 240/120V - 60 Hz • Nominal power: 3.5 kW • Current: 15 A • **INCLUDED ACCESSORIES** • 1 x partial-extraction telescopic guide rails • 1 x grid with back-stop • 1 x grid for trays • 1 x stainless steel tray (0.8") • 1 x stainless steel perforated deep tray (1.6") • 1 x enameled deep tray (1.6") • 1 x beaker • 1 x sponge

**Functions**



Main Oven