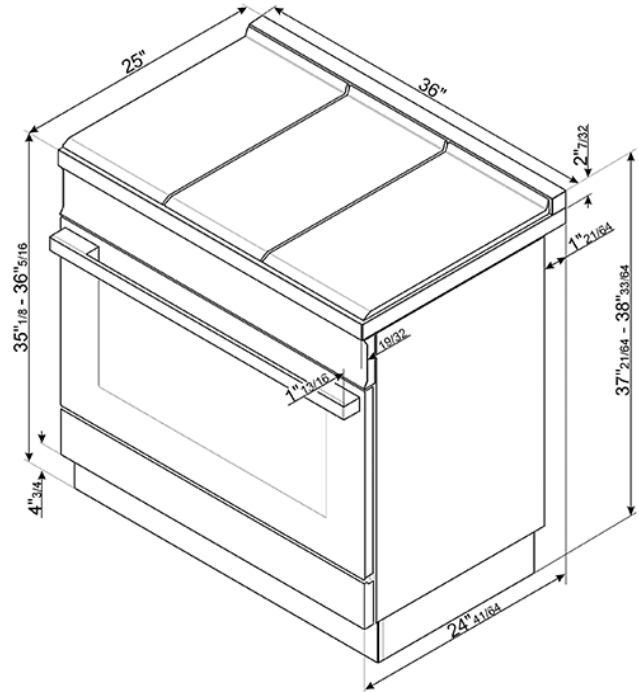




CPF36UGMOR

Portofino Pro-Style Dual Fuel Range,  
Orange, 36" x 25"  
EAN13: 8017709254025



- **Portofino Style** • Stainless Steel control knobs • **Thermoseal cavity, energy efficiency best in class** • **Soft close oven door** • Full-width continuous grates • Push-Pull Stainless steel storage drawer • **Multifunction electric oven:** • 10 cooking modes including Pizza Function • Vapor-Green clean function • Programmable timer with touch display • Adjustable thermostat 120° - 500°F • Air-cooled triple-glazed removable door • **True European Triple convection** • Oven capacity: 4.5 cu. ft. • **“Ever-Clean” enameled interior cavity** • 5 shelf positions • 2 x halogen oven lights • Bake element 1.7kW • Broil element 2.9kW • Convection element 1.5kW • **Gas Rangetop:** • 5 gas burners • Center-rear 4500 BTUs • Center-front 10500 BTUs • Right-rear 12000 BTUs • Right-front 8000 BTUs • **Left double-inset super burner 20000 BTUs** • Heavy-duty cast iron grates • Automatic electric ignition • LP gas conversion kit included • **Safety:** • Gas safety valves • Air cooled door to prevent overheating • Connected load nominal power: 240/120V - 17 Amps • Voltage rating: 240/120V 60Hz • **Accessories included:** • 1 wok ring • 1 rotisserie kit • 1 deep oven tray • 1 total-extraction telescopic guide • 2



chrome shelves • 1 black toe kick •

## Functions



## Options

• GT1T-2 - 1-Level Telescopic Shelf - Total Extraction • PPR9 - Pizza Stone

## Versions

• CPF36UGMX - Stainless Steel • CPF36UGMR - Red • CPF36UGMYW - Yellow • CPF36UGMWH - White • CPF36UGMBL - Black • CPF36UGMOG - Olive green • CPF36UGMAN - Matte Black