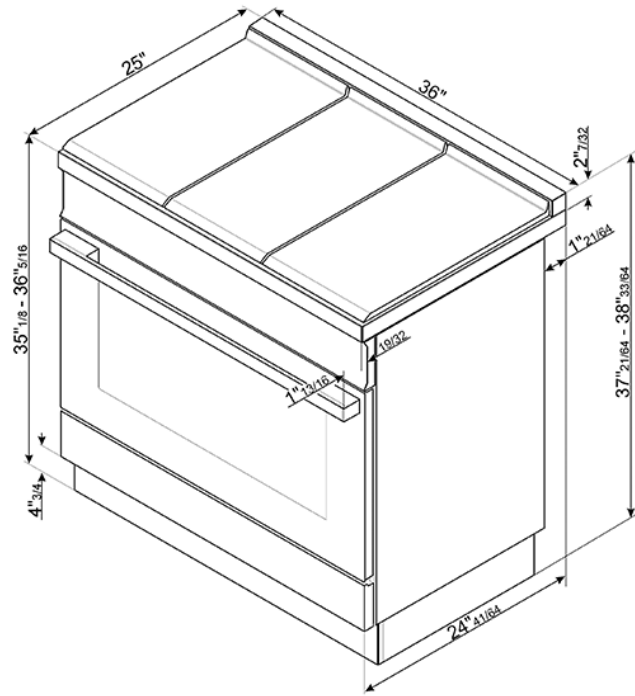




CPF36UGMBL

Portofino Pro-Style Dual Fuel Range,
Black, 36" x 25"
EAN13: 8017709254001



- **PORTOFINO STYLE** • Stainless steel control knobs • **Thermoseal cavity, energy efficiency best-in-class** • **Soft close oven door** • Full-width continuous grates • Push-pull stainless steel storage compartment • **MULTIFUNCTION ELECTRIC OVEN:** • 10 cooking modes including Pizza Function • Vapor-clean function • Programmable timer with touch display • Adjustable thermostat 120° - 500°F • Air-cooled triple-glazed removable door • **True European triple convection** • Oven capacity: 4.5 cu. ft. • **Ever Clean enameled interior cavity** • 5 shelf positions • 2 x halogen oven lights • Bake element 1.7kW • Broil element 2.9kW • Convection element 1.5kW/element
- **GAS RANGETOP:** • 5 gas burners • Center-rear 4500 BTUs • Center-front 10500 BTUs • Right-rear 12000 BTUs • Right-front 8000 BTUs • **Left double-inset super burner 20000 BTUs** • Heavy-duty cast iron grates • Automatic electric ignition • LP gas conversion kit included • **SAFETY:** • Gas safety valves • Air-cooled door to prevent overheating • Connected load nominal power: 240/120V - 17 Amps
- Voltage rating: 240/120V 60Hz • **ACCESSORIES INCLUDED:** • 1 wok ring • 1 rotisserie kit • 1 deep oven tray • 1 total-extraction



telescopic guide • 2 chrome shelves • 1 black toe kick •

Functions



Options

- GT1T-2 - 1-Level Telescopic Shelf - Total Extraction • PPR9 - Pizza Stone

Versions

- CPF36UGMX - Stainless Steel • CPF36UGMR - Red • CPF36UGMYW - Yellow • CPF36UGMWH - White • CPF36UGMOR - Orange
- CPF36UGMOG - Olive green • CPF36UGMAN - Matte Black