

PU64ES

piano design

24" "Renzo Piano Design" Gas Cooktop
Full stainless steel body

EAN13: 8017709185008

4 burners:

Rear-left: 8,000 BTU

Front-left: 5,500 BTU

Rear-right: 10,000 BTU

Front-right: 3,500 BTU

Stainless steel base, control knobs, grates and burner caps

"EverShine" invisible finish on burners and grates protects against heat tarnish*

Automatic electronic ignition

Safety valves

Adaptable for LP gas

Voltage rating: 120V / 60Hz / 0.1Amps

*Please note that, when exposed to a direct heat source, cooktops with polished stainless steel pan stands will tarnish. **Evershine** invisible finish on burners and grates of PU75ES and PU64ES reduces heat tarnish.



Options

- **GP64ES** - Set of St/Steel Grates and Burner Caps

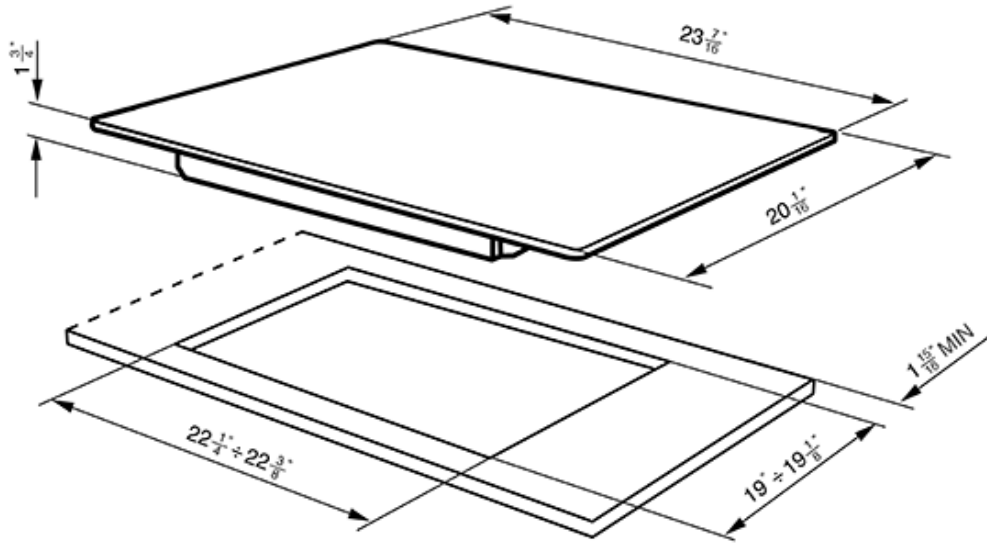


PU64ES

piano design

gas
24"

polished st/steel
polished st/steel



SMEG U.S.A. INC.
A&D BUILDING
150 EAST 58th STREET, 7th FLOOR
NEW YORK, NY, 10155
Tel. +1 212 265 5378
Fax +1 212 265 5945