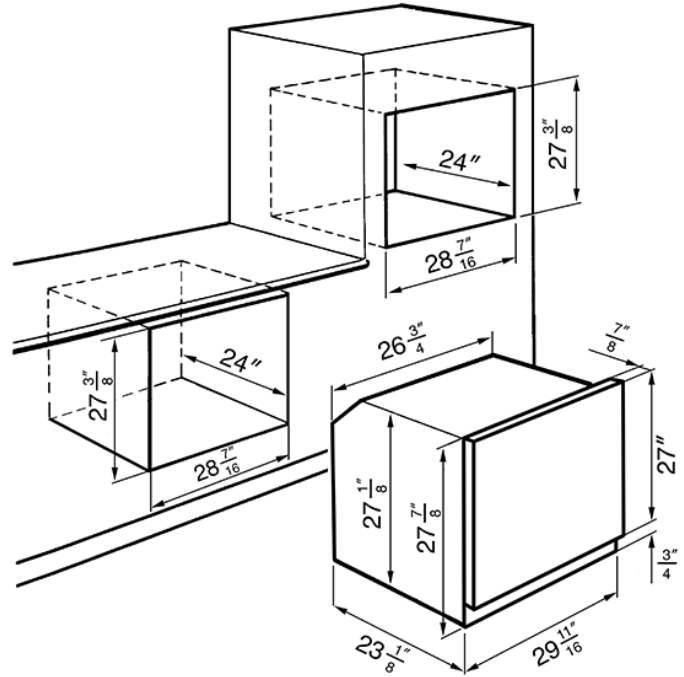


30" Multi-function Convection Oven
 EAN13: 8017709204501



- **AESTHETIC** • Classic design • Fingerprint-proof stainless steel and "Smart-black" glass • Digital display • **TECHNICAL SPECIFICATIONS**
- **Self-Cleaning** multi-function oven with 11 cooking modes • Electronic temperature control, with ergonomic knobs • **True European double convection** • Rapid pre-heating (8 to 12 minutes) • "Ever-Clean" enamel cavity for quick and easy cleaning • Air-cooled, quadruple-glazed door ("Safe touch") • 6 rack positions • Double-insulated cavity • Door lock during self-cleaning cycle • 3 halogen lights • **Sabbath mode** • Bake element (bottom): 3,000 W • Upper bake element: 1,000 W • Grill element: 3,500 W • Circular heating elements: 2 x 1,300 W
- **GENERAL SPECIFICATIONS** • Oven capacity: 4.45 cu. ft. • Oven dimensions (HxWxD): 27 13/16" x 29 11/16" x 24" • **ELECTRICAL SPECIFICATIONS** • Voltage rating: 240/208V • Frequency: 60 Hz • Nominal power: 3.5 kW • Current: 15.6 A • **INCLUDED ACCESSORIES** • 2 x grid with back- and side-stop • 1 x grid for tray • 1 x enameled tray • 1 x telescopic guide set • 1 x meat probe •



Functions



Main Oven