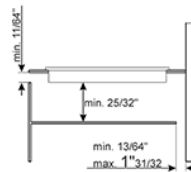
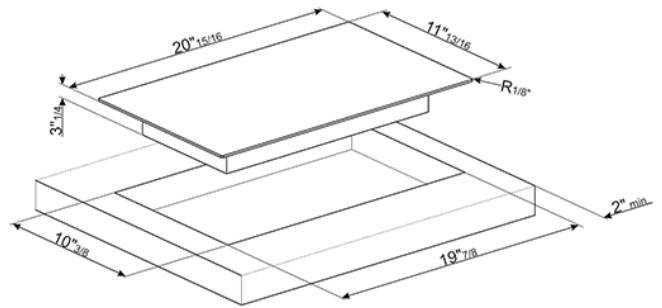


30CM (12") Ceramic Cooktop
 Black Glass
 EAN13: 8017709240929



• 2 high-light radiant zones: • Front: Ø 7" (180mm) Booster 1,000W • Back: Ø 5 5/11" (140mm) Booster 1,400W • Soft-touch controls • 2 high-light radiant elements • 9 power levels for each zone • Residual heat indicator for each zone • "Keep warm" automatic function • Automatic safety cut-out • Child safety lock • Limited power consumption mode • Voltage rating: 120V 60Hz • Quick start option • Connected load (nominal power): 2.4 kW • 22 Amps • Electrical - single phase 3 wire cable required, 60Hz, fused on both sides of line with ground