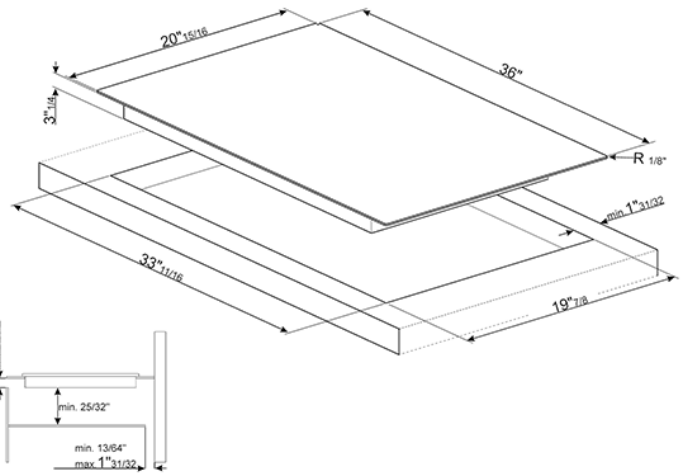


90CM (36") Ceramic Cooktop  
Black Glass, Beveled  
EAN13: 8017709241001



• 5 high-light radiant zones: • Front-right:  $\varnothing$  5 1/2" (140mm) Booster 1,200W • Back-right:  $\varnothing$  7 5/8" (195mm) Booster 2,000W • Central:  $\varnothing$  5 1/2 - 8 1/4 - 10 5/8" (140-210-270mm) • Booster 750+900+1,050W • Front-left  $\varnothing$  4 3/4 - 7" (120-180mm) Booster 800+1,200W • Back-left:  $\varnothing$  5 1/2" (140mm) Booster 1,200W • Soft-touch controls • 5 high-light radiant elements, including 2 variable zones (central high speed zone with three-level adjustment) • 9 power levels for each zone • Residual heat indicator for each zone • Automatic safety cut-out • Individual timer for each zone (1 - 99min) • Child safety lock • Voltage rating: 240/208V 60Hz • Connected load (nominal power): 240/208V - 8.6/6.5 kW - 36/32 Amps • Electrical - single phase 3 or 4-wire cable required, 60Hz, fused on both sides of line with ground