



810 WEST WASHINGTON BOULEVARD
CHICAGO, IL 60607

8566 KRUM AVENUE
GALESBURG, MI 49053

KALAMAZOOGOURMET.COM
+1.800.868.1699

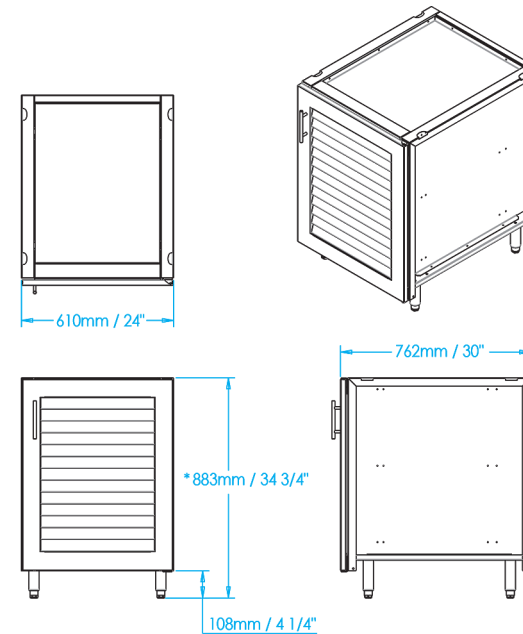
Signature 24-inch Warming Cabinet



Overall Width / Installation Width	24 in (609.6 mm) / 24 in (609.6 mm)
Overall Depth / Installation Depth	30 in (762 mm) / 30 in (762 mm)
Overall Height / Counter Height	34 3/4 in (882.65 mm) / 34 3/4 in (882.65 mm) +/- 3/4 in (19.05 mm)
Approximate Product Weight	215 lb (97.5 kg)

PRODUCT FEATURES

- Two full-extension, adjustable-height warming racks; additional third rack available for purchase
- Holds up to six sterno cans (included) to keep food at food-safe temperatures, even in winter
- Two water trays create steam heat to keep food moist and prevent it drying out
- Thermometer that clearly marks food-safe holding temperatures
- Available in left- or right-hinge configurations
- Built from heavy-gauge 304 stainless steel
- Available in marine-grade stainless steel
- Handcrafted with pride in Kalamazoo, Michigan
- For outdoor use only



* HEIGHT ADJUSTABLE +/- 3/4 in (19.05mm)
RIGHT-HINGE MODEL SHOWN

WARNING: This product can expose you to chemicals including nickel, which are known to the State of California to cause cancer, and lead, which is known to the State of California to cause birth defects or other reproductive harm. For more information go to www.P65Warningsca.gov