

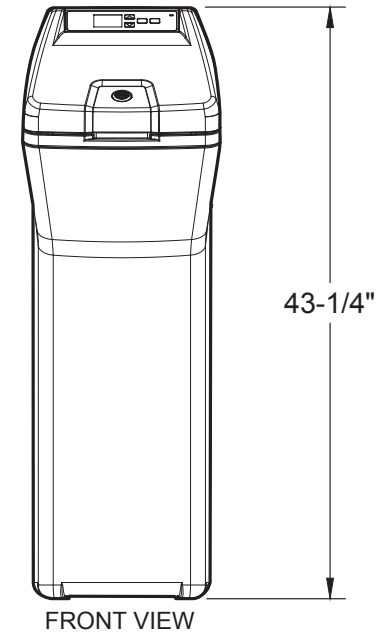
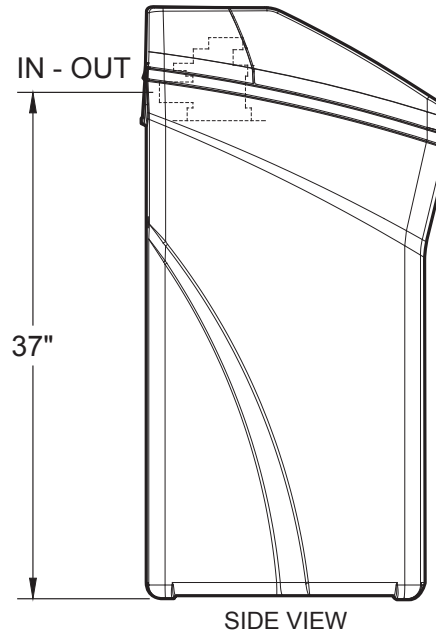
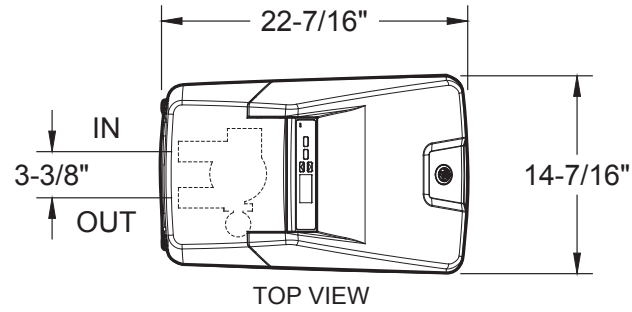
GXSF30V

GE® Series SmartWater™ Water Softener

SALT CAPACITY: 200 lbs.

IMPORTANT: All units must be installed according to local codes.

NOTE: Before installing, consult installation instructions packed with product for current dimensional data.



GE APPLIANCES

For answers to your Monogram, GE Profile™ Series or GE® Series appliance questions, visit our website at geappliances.com or call GE Answer Center service, 800.626.2000.



GXSF30V conforms to ANSI/NSF 44 for specifically claimed performance.

Specification Revised 11/15

GXSF30V

GE® Series SmartWater™ Water Softener

FEATURES AND BENEFITS

Easy to use up-front electronic controls with status light indicator

30,400 Grain Capacity

Efficiency (5100 gpg)

Maximum Hardness Removal (95 gpg) / Maximum Iron Removal (7 ppm)

Salt Capacity (200 lbs)

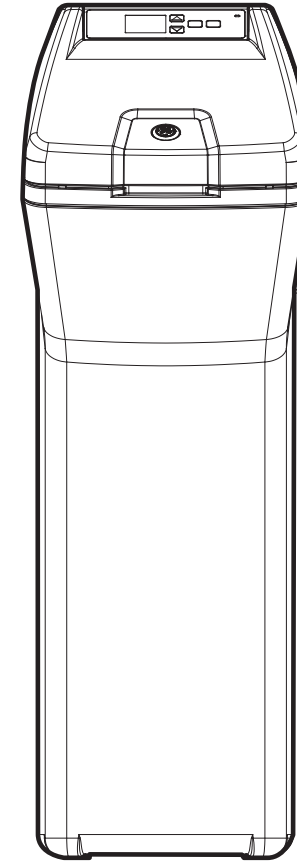
GE Exclusive Days to Empty indicator makes sure you never have to guess when to refill the salt tank

Uses up to 20% less water*

Plumbing connection up to 1"

Model GXSF30V

**Based on internal analysis. Verses GE water softeners manufactured prior to 2009*



GE APPLIANCES

For answers to your Monogram, GE Profile™ Series or GE® Series appliance questions, visit our website at geappliances.com or call GE Answer Center service, 800.626.2000.

Specification Revised 11/15