

H 6800 BM

24 Inch Speed Oven

The all-rounder that fulfils every desire.



- Multicolored TFT touch display with clear text - M Touch
- Easy cleaning – cavity with linen-weave pattern & PerfectClean
- The simple way to perfect results - automatic programs
- Fresh popcorn at your fingertips thanks to the Popcorn button
- Precise temperature control roasting - Food probe

EAN: 4002515427583 / material number: 09769650

Construction type	
Built-in wall speed oven	•
Design	
PureLine	•
Appliance color	Clean Touch Steel
Control panel	M Touch
Convenience features	
Precise temperature control	75 – 475 °F
Power levels	80/150/300/450/600/850/1000
Electronically controlled microwave power	•
Roast probe	•
Keep-warm function	•
Operating modes	
Defrost	•
MasterChef automatic programs	More than 100
Auto roast	•
Gentle bake	•
Broil	•
Convection Bake	•
Intensive bake	•
Slow roast	•
Microwave	•
Combi Auto Roast	•
Micro Broil	•
Combi Bake	•
Combi Broil	•
Surround	•
Bake	•
Convection Broil	•
Special modes	•

H 6800 BM

24 Inch Speed Oven

The all-rounder that fulfils every desire.



Control panel	
MultiLingua	•
Search function automatic programs	•
Popcorn function	•
Polyphonic acoustic signals	•
Time of day display	•
Polyphonic acoustic signals	•
Date display	•
Minute minder	•
Time buffer in h	200
Start-stop programming	•
Automatic switch-off	•
Programmable cooking time	•
Entry via number keypad	•
Actual temperature display	•
Default temperatures	•
Acoustic signal when desired temperature is reached	•
Recommended microwave output for each operating mode	•
Minute Plus button	•
Sabbath program	•
Individual settings	•
Door	
CleanGlass door	•
Door contact switch	•
Door hinge side	Bottom
Cavity	
Cavity volume in cu.ft(l)	1.52 (43)
No. of rack levels	3
No. of halogen lamps	1
Cleaning convenience	
Stainless steel front with Clean Touch Steel surface	•
Stainless-steel cavity with linen surface structure	•
Foldable broil heater element	•
Efficiency and sustainability	
Energy-saving lighting circuit	•
Residual heat utilization	•
Rapid Pre-Heat	•
Safety	
Appliance cooling system with cool touch front	•
Safety cut-out	•
System lock	•
Door contact switch	•
Technical data	
Niche depth in in. (mm)	21 3/4 (550)
Appliance width in in.(mm)	22 1/16 (559)
Appliance height in in.(mm)	17 5/8 (446)
Weight in lbs. (kg)	94.80 (43.0)
Total connected load in kW	2.2
Voltage in V	240/208
Fuse rating in A	30
Number of phases	1

H 6800 BM

24 Inch Speed Oven

The all-rounder that fulfils every desire.

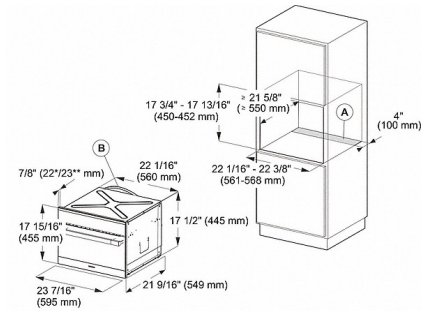
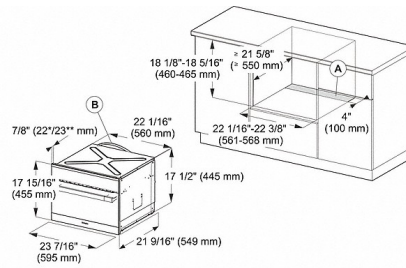


Standard accessories	
PerfectClean baking and roasting rack	1
Glass tray	2
Connection wire with plug	•

H 6800 BM

24 Inch Speed Oven

The all-rounder that fulfils every desire.

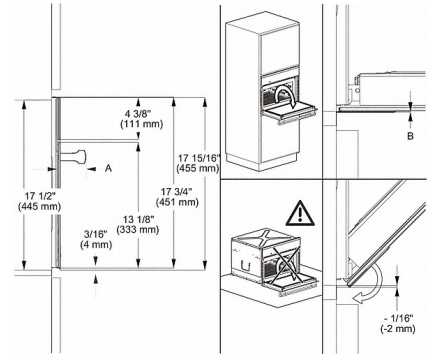
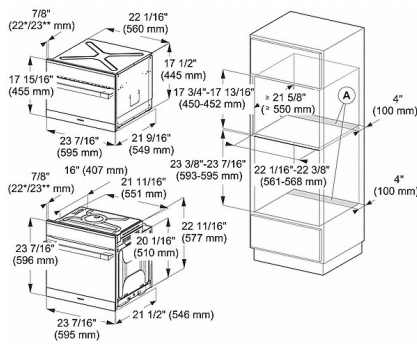


H 6000 BM - 45 cm (Installation drawing) - USA

A = Cut-out (4" x 22" / 100 mm x 560 mm) in the bottom of the cabinet for power cord and Ventilation
 B = Power cord with plug
 * Oven with glass front
 ** Oven with metal front

H 6000 BM - 45 cm (Installation drawing) - USA

A = Cut-out (4" x 22" / 100 mm x 560 mm) in the bottom of the cabinet for power cord and Ventilation
 B = Power cord with plug
 * Oven with glass front
 ** Oven with metal front



H 6000 BM - 45 cm (Installation drawing) - USA

A = Cut-out (4" x 22" / 100 mm x 560 mm) in the bottom of the cabinet for power cord and Ventilation
 B = Power cord with plug
 * Oven with glass front
 ** Oven with metal front

H 6000 BM - 45 cm (Installation drawing) - USA

A =
 H61xx: 2 5/16" (59 mm)
 H62xx: 1 5/8" (42 mm)
 H65xx: 2 3/4" (69 mm)
 H66xx: 1 5/8" (42 mm)
 H67xx: 2 3/4" (69 mm)
 H68xx: 1 5/8" (42 mm)

B =
 Speed oven with glass front: 1/16" (2.2 mm)
 Speed oven with metal front: 1/16" (1.2 mm)