

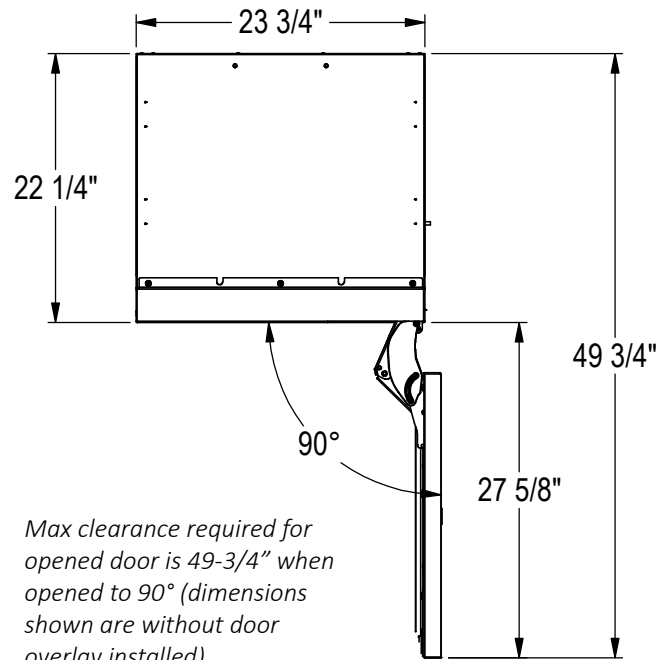
QUICK FEATURES

- Ready to accept custom or stainless steel panel
- Industry exclusive 4 independently-controlled temperature zone model for precision preservation of fresh foods
- Dual chamber air filtration throughout
- Touch-screen control streamlines the user experience. Enjoy access to smart settings for a variety of fresh foods, or customize to your preference in 1° increments. Access settings for lighting, Sabbath mode and more with a single touch.
- Brightly illuminated by white roll-on theatre lighting
- Frameless spill-proof shelving
- Tiered deli drawer provides storage for a variety of foods
- Tip-out produce bin provides ample storage for fresh produce
- Slide-in stainless steel pans provide space for marinating, storing pre-made appetizers or storing sous vide packets

PRODUCT SPECIFICATIONS

Appliance Dimensions	Exterior Width	23-3/4"
	Exterior Depth	24"*
	Exterior Height	83-11/16"
Required Cutout Dimensions	Cutout Width	24"
	Cutout Depth	25"
	Cutout Height	84"
Depth with Door Open	49-3/4" (less door overlay installed)	
Product Weight	486 lbs	
Capacity	12.6 cu. ft.	
Electrical Requirements	Electrical Supply	115V, 60 Hz., 1 Phase, 2.3 amps
	Electrical Service	15 amp dedicated circuit
	Power Cord/ Receptacle	NEMA 5-15 plug, 5' /3 prong grounding-type

*Less panel. With typical 3/4" overlay panel installed, depth becomes 24-3/4"



Max clearance required for opened door is 49-3/4" when opened to 90° (dimensions shown are without door overlay installed)

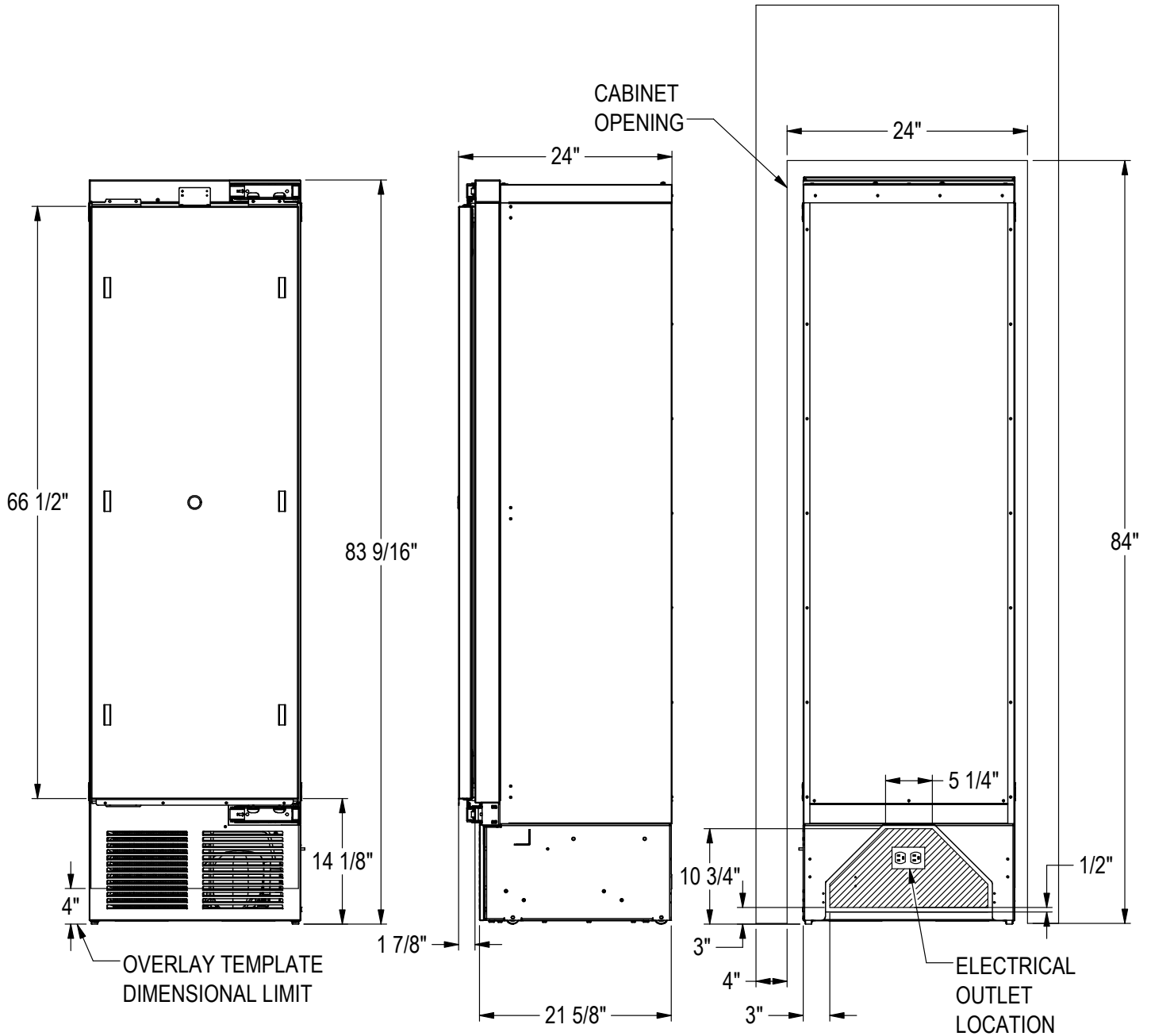
(please note that door opens to 105°)

TEMPERATURE RANGES

Main Compartment	Factory Set to 38° (Range 34°-42°F)
Deli Drawer	Factory Set to 33° (Range 32°-37°F)
Meat/Fish Drawer	Factory Set to 35° (Range 32°-37°F)
Tip-Out Produce Bin	Factory Set to 35° (Range 32°-37°F)

AVAILABLE MODELS

CR24R-1-2L	Refrigerator, solid overlay ready, hinged left
CR24R-1-2R	Refrigerator, solid overlay ready, hinged right



ACCESSORIES

- Dual installation kits
- Stainless steel exterior side finishing panels
- Stainless steel door panels with Perlick Pro Handle

Perlick accessories are available for purchase through an authorized Perlick dealer. For a full list of accessories and to find a dealer near you, visit perlick.com/residential.