



810 WEST WASHINGTON BOULEVARD  
CHICAGO, IL 60607

8566 KRUM AVENUE  
GALESBURG, MI 49053

KALAMAZOOGOURMET.COM  
+1.800.868.1699

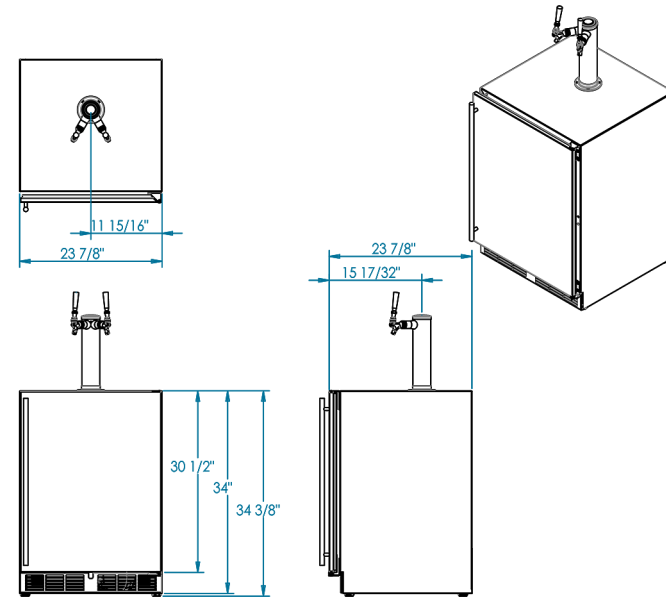
## Arcadia 24-inch Dual-Zone Refrigerated Keg Tapper



Overall Width / Installation Width	23 7/8 in (584.2 mm) / 23 7/8 in (584.2 mm)
Overall Depth / Installation Depth	23 7/8 in (584.2 mm) / 23 7/8 in (584.2 mm)
Overall Height / Counter Height	34 3/8 in (873.13 mm) / 34 3/8 in (873.13 mm)
Approximate Product Weight	215 lb (97.5 kg)

### PRODUCT FEATURES

- Offered in a variety of finish options, including a stunning oiled ipe wood and a wide range of powder-coated stainless steel colors
- Available in 200+ custom RAL colors of powder-coated stainless steel
- Energy Star® qualified
- Forced air cooling for rapid cooldown and even temperature distribution
- Commercial-grade stainless steel interior
- CO2 tank (empty) and all connections included
- Two-inch thick walls provide superior insulation and minimize vibrations
- Variable speed compressors for optimum balance of energy efficiency and cooling power
- UL-approved for outdoor use
- Marine-grade stainless steel available



**WARNING:** This product can expose you to chemicals including nickel, which are known to the State of California to cause cancer, and lead, which is known to the State of California to cause birth defects or other reproductive harm. For more information go to [www.P65Warningsca.gov](http://www.P65Warningsca.gov)