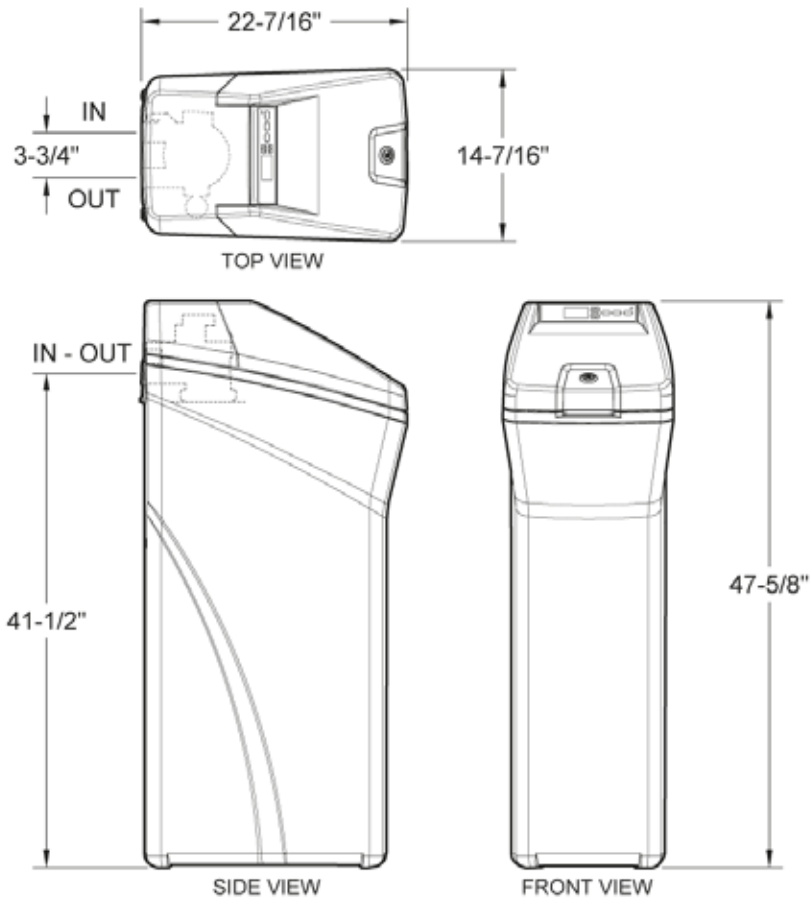




GE Appliances

GXSH45V – GE Water Softener



Above illustration intended for dimensional reference only. Refer to photograph for actual product appearance.

Specification Revised 3/13
380233

Salt Capacity – 230 lbs.

Important: All units must be installed according to local codes.

Note: Before installing, consult installation instructions packed with product for current dimensional data.



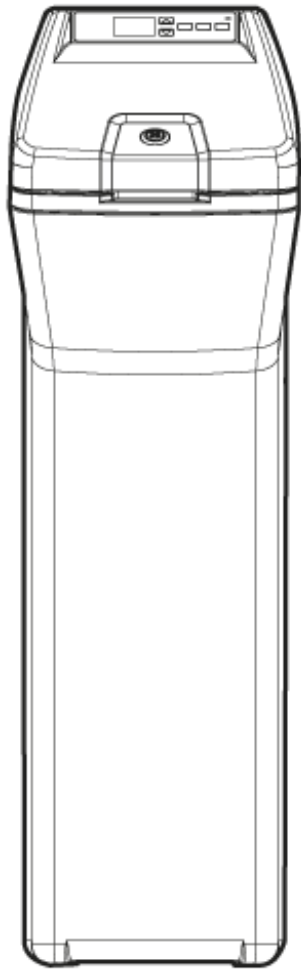
GXSH45V conforms to ANSI/NSF 44 for specifically claimed performance.

For answers to your Monogram®, GE Profile™ or GE appliance questions, visit our website at GEAppliances.com or call GE Answer Center® service, 800.626.2000.



GE Appliances

GXSH45V – GE Water Softener



Features and Benefits

- Easy to use up-front electronic controls with status light indicator
 - 45,100 Grain Capacity
 - Efficiency (5120 gpg)
 - Maximum Hardness Removal (160 gpg) / Maximum Iron Removal (10 ppm)
 - Salt Capacity (230 lbs)
 - GE Exclusive Custom Select blending valve allows you to select how soft you want your water.
 - GE Exclusive Salt Saver helps reduce salt consumption and uses up to 34% less salt*
 - GE Exclusive Days to Empty makes sure you never have to guess when to refill the salt tank
 - Uses up to 35% less water*
 - Self-cleaning sediment filter protects your home's plumbing
 - Plumbing connection up to 1.25"
- *Based on internal analysis. Verses GE water softeners manufactured prior to 2009
- Model GXSH45V

**Specification Revised 3/13
380233**