



18 cu. ft. Top-Freezer Refrigerator

WRT348FME



Fingerprint-Resistant Stainless
WRT348FMEZ

Capacity

Total Capacity	18 cu. ft.
Refrigerator Capacity	13 cu. ft.
Freezer Capacity	5 cu. ft.

General Features & Properties

ENERGY STAR® Certified
Factory-Installed Icemaker
Fingerprint Resistant
#1 Selling Appliance Brand in the U.S.A.*

Electrical Details

Amps	6.5
Volts	115

Certifications

ENERGY STAR® Certified	Yes
------------------------	-----

Technical Details

Refrigerator Type	Top-Freezer
Number of Doors	2
Number of Interior Refrigerator Shelves	3
Number of Refrigerator Door Bins	5 Fixed
Number of Interior Freezer Shelves	1
Number of Freezer Door Bins	N/A
Lighting Type	Incandescent
Ice Maker	Factory Installed
Ice Maker Location	Freezer
Dispenser Type	N/A

Dimensions

Product Dimensions (H x W x D)	65-1/2" x 29-3/4" x 31-3/8"
Depth with Door Open 90°	59-3/4"
Cutout Dimensions	Allow extra 1/2" on sides and top Allow extra 1" on rear

Reference Material

[Dimension Guide](#)

[Use & Care Guide](#)

[Energy Guide](#)

[Warranty](#)

Also available in:

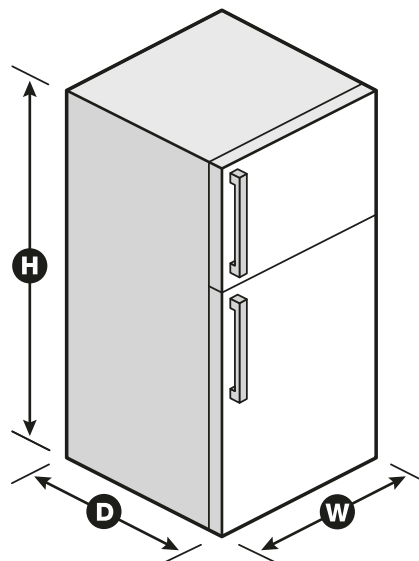
- White **WRT348FMEW**
- Black **WRT348FMEB**
- Stainless Steel **WRT348FMES**

Key Features & Benefits

Frameless Glass Shelves
Store more items on wall-to-wall shelves for greater storage flexibility.

Humidity-Controlled Crispers
Store fruits and vegetables in their ideal environment.

Freezer Temperature Controls
Keep items ice cold with controls that adjust the freezer temperature.



*Based on 12-month average of unit sales. Refrigeration, Cooking, Dishwashers and Laundry appliances. TraQline 2018. NOTE: Dimensions are for planning purposes only. For complete details, see Installation Instructions packed with product. Specifications subject to change without notice. ©/™ © 2020. All rights reserved. Printed in the U.S.A. D200052XXC. WRT348FMESPECSHEETV01.