

PROPANE CONVERSION INSTRUCTIONS

⚠ WARNING Explosion Hazard

Death or serious injury can result from failure to follow these instructions.

- Service by a qualified service technician only.
- Shut off gas supply and disconnect power before servicing.
- Reconnect all grounding devices after service.
- Replace all parts and panels before operating.

The pressure regulator and the burner orifices are set for natural gas. To use propane gas, the regulator and burner orifices must be converted.

⚠ WARNING

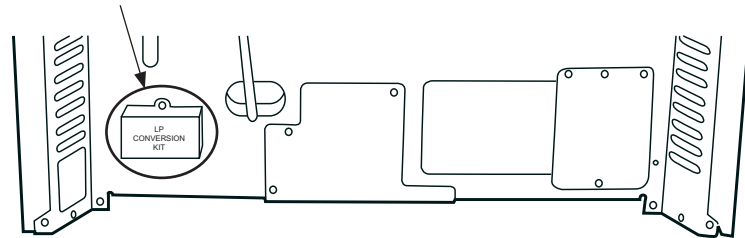
Do not operate the cooktop or oven burners of this range when using propane (bottled) gas before converting the pressure regulator and burner orifices from propane gas use. Failure to do so could cause high flames and toxic fumes which can result in serious injury.

To adjust your range for use with propane gas, follow these instructions:

1. Disconnect all electrical power, at the main circuit breaker or fuse box.
2. Shut off the gas supply to the range by closing the manual shut-off valve.

The propane orifices for the cooktop burners are shipped on the back of the range in a small box.

Propane Conversion Kit

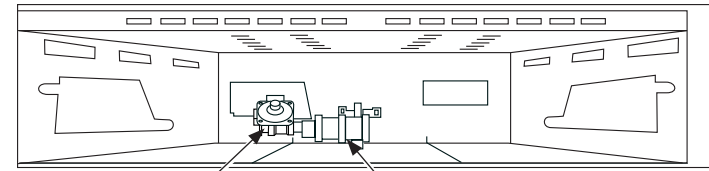


TOOLS REQUIRED:

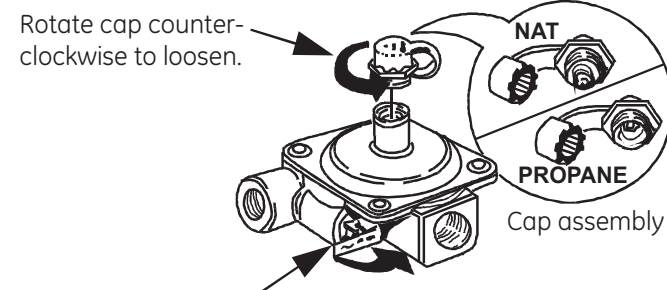
- Adjustable wrench
- 1/2" Open-end wrench
- Phillips head screwdriver
- Flat bladed screwdriver (blade approximately 3/32" across)
- Nut drivers: 1/4", 9/32" or 7mm

CONVERTING THE PRESSURE REGULATOR

The pressure regulator is located on the rear of the range. (Some models will have a metal shield protecting the regulator that must be removed for conversion and reinstalled when conversion is complete.) The pressure regulator is located in the lower, left hand side of the range as viewed from the front left.



- A. If this is your regulator:
1. Use an adjustable wrench to unscrew the hex-nut cap from the pressure regulator.
 2. Completely remove the protective plastic cap off the threaded metal cap.

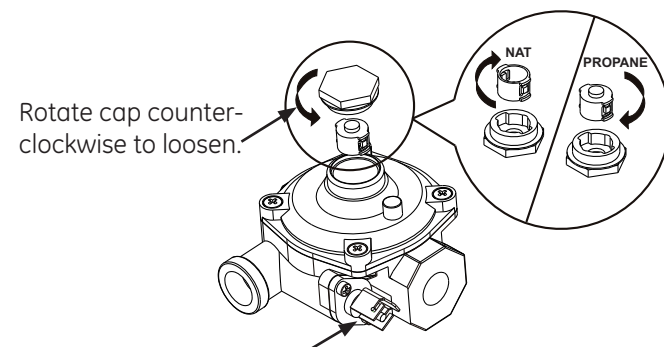


Rotate cap counter-clockwise to loosen.

Lever shown closed (Oven Shut Off only)
FLIP LEVER UP TO OPEN

3. Turn the metal cap so the type of gas being converted to is displayed and replace the protective plastic cover.
4. Screw the hex-nut cap back into the regulator. **(Do not over tighten)**

- B. If this is your regulator:
1. Use an adjustable wrench to unscrew the hex-nut cap from the pressure regulator.
 2. Turn the plastic cap 1/4 turn to disassemble.



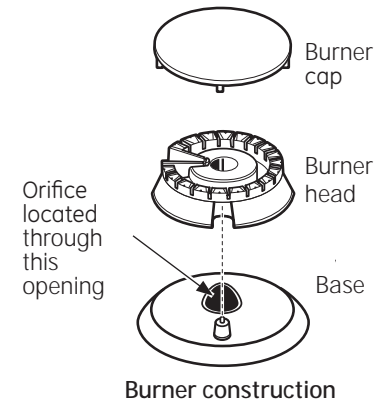
Rotate cap counter-clockwise to loosen.

Lever shown open (Oven Shut Off only)
PUSH LEVER DOWN TO CLOSE

3. Turn the plastic cap over and hook it into the slots. Rotate cap 1/4 turn to reassemble. The type of gas to be used should now be visible on the top of the cap..
4. Screw the hex-nut cap back onto the pressure regulator.

CONVERTING THE COOKTOP BURNERS

- A. Remove the top grates, burner caps and burner heads.

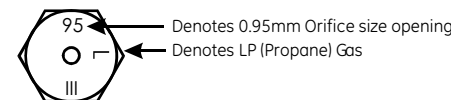


- B. Using a 7 mm or 9/32" nut driver, remove the top burner orifices. These may be accessed through the burner opening in the base.

NOTICE:

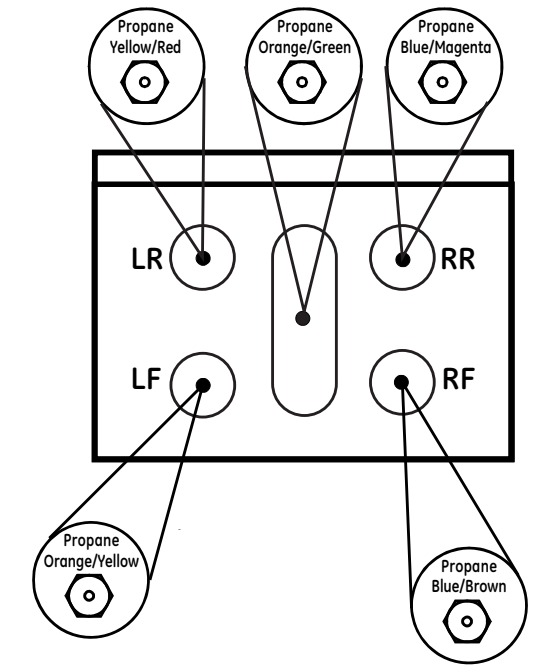
Save these orifices for future conversion back to natural gas.

- C. Remove the propane orifices from the box provided. The propane orifices have the letter "L" on the top. To aid in identifying the proper location for the propane orifices during conversion from Natural Gas to Propane Gas, color codes have been added to the side or top of the orifice. See the chart below. Each orifice may also show a series of engraved marks (I, II, III . . .) located on the top.



BURNER OUTPUT RATINGS: BTU/HR				
Propane Gas 10" W.C.P.				
BURNER	BTU RATE	ORIFICE SIZE (mm)	COLOR	MARKING
RF	9,500	0.035" (0.89)	Blue/Brown	89L
LF	15,000	0.045" (1.14)	Orange/Yellow	114L
RR	12,000	0.039" (0.99)	Blue/Magenta	99L
LR	5,000	0.026" (0.66)	Red/Yellow	66L
C	8,000	0.034" (0.86)	Orange/Green	86L
OVEN	16,000	0.048" (1.21)	Pink	.048

- D. Install the propane orifices in their precise locations.



To prevent leakage, make sure the orifices are securely screwed into the gas supply tubes.

- F. Place the old orifices into the metal box along with these instructions, and replace onto the back of the range for possible future conversion back to natural gas.

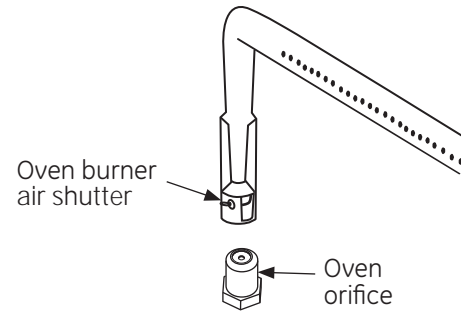
CONVERTING THE OVEN BURNER

OVEN BURNER ORIFICE

1. Remove oven door, broil drawer, oven bottom, and burner. The oven burner orifice is located behind the drawer. On some models a metal shield must be removed.
2. To convert to propane, replace oven orifice with the one supplied in kit with range.

NOTICE:

Save this orifice for future conversion back to natural gas.

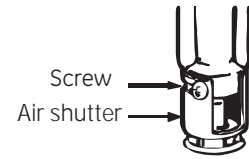


NOTICE:

This product cannot be converted to propane by adjusting the oven orifice. The orifice must be replaced for propane.

AIR SHUTTER SETTING FOR OVEN BURNER

1. Turn on the gas.
2. Turn on the electricity.
3. Replace the oven bottom and reinstall the oven door.
4. Turn on the oven burner.
5. As you watch the flame with the oven door closed, check the following through the broil drawer opening.
 - a. If the flames are yellow, open the air shutter more. Use a screwdriver to loosen the air shutter screw.
 - b. If the flames continue to blow away or flutter from the burner after two minutes of operation, close the air shutter slightly, but not by more than 1/8".
6. Retighten the air shutter screw.



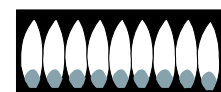
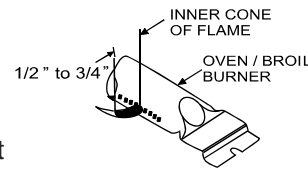
⚠ WARNING

If you attempt to measure the inner cone of the flame, please use caution: burns could result.

Oven burner flame must be observed with the door closed to properly check flame characteristics.

7. Checking the flame size:
It should be approximately 1/2" to 3/4" long for the bake and broil burners.
The combustion quality of the burner flames needs to be determined visually.

NOTE: If burner flames look like (A), further air shutter adjustment is required. Normal burner flames should look like (B) or (C), depending on the type of gas you use. With propane gas, some yellow tipping on the outer cones is normal.



(A) Yellow flames:
Further Adjustment
Required



(B) Yellow tips on
outer cones:
Normal for Propane Gas



(C) Soft blue flames:
Normal for Natural Gas

Foreign particles in the gas line may cause an orange flame at first, but this will soon disappear.

8. When all adjustments are made and the results are satisfactory:
 - a. Replace the metal shield (some models).
 - b. Replace the broil drawer.

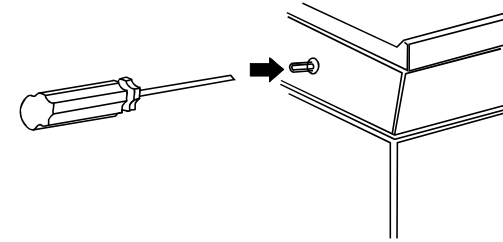
SPECIAL NOTE:

To convert the oven back to natural gas, reverse the instructions given in making propane adjustments.

ADJUSTING LOW FLAME SETTING ON COOKTOP BURNERS

Low setting adjustments must be made with other burners in operation on a medium setting. This procedure prevents the low flame from being set too low, resulting in the flame being extinguished when other burners are turned on.

- A. Turn on all surface burners.
- B. Turn the knob on the burner being adjusted to "LO".
- C. Remove the knob and insert a small, flat blade screwdriver into the valve shaft as shown and turn clockwise to fully tighten down the bypass screw. Repeat for all valves.
- D. If flame appears too low or unstable, slowly turn bypass screw counterclockwise until a stable flame exists for each burner. Remember, other burners must be turned on to medium.
- E. Additionally, for each burner being adjusted, quickly open and close the oven door while observing flame. If flame is extinguished, continue adjusting bypass screw for a larger flame. Repeat door openings until flame is stable.
- F. Replace the knob.



Center adjustment screw for all burners.

NOTICE:

Once the conversion is complete and confirmed, fill out the propane sticker and include your name, organization and date conversion was made. Apply the sticker to the range near the regulator to alert others in the future that this appliance has been converted to propane. If converting back to natural gas from propane, please remove the sticker so others know the appliance is set to use natural gas.

ADDITIONAL INFORMATION

BURNER OUTPUT RATINGS: BTU/HR				
NG (Natural) Gas 5" W.C.P.				
BURNER	BTU RATE	ORIFICE SIZE (mm)	COLOR	MARKINGS
RF	9,500	0.053" (1.36)	Green	136N
LF	15,000	0.070" (1.78)	Brown	178N
RR	12,000	0.061" (1.55)	Red	155N
LR	5,000	0.040" (1.01)	White/Purple	101N
C	10,000	0.055" (1.40)	Yellow	140N
OVEN	18,000	0.076" (1.93)	None	.076

