

GTW490ACJ

GE Appliances ENERGY STAR® 4.4 DOE Cu. Ft. Capacity Stainless Steel Basket Washer

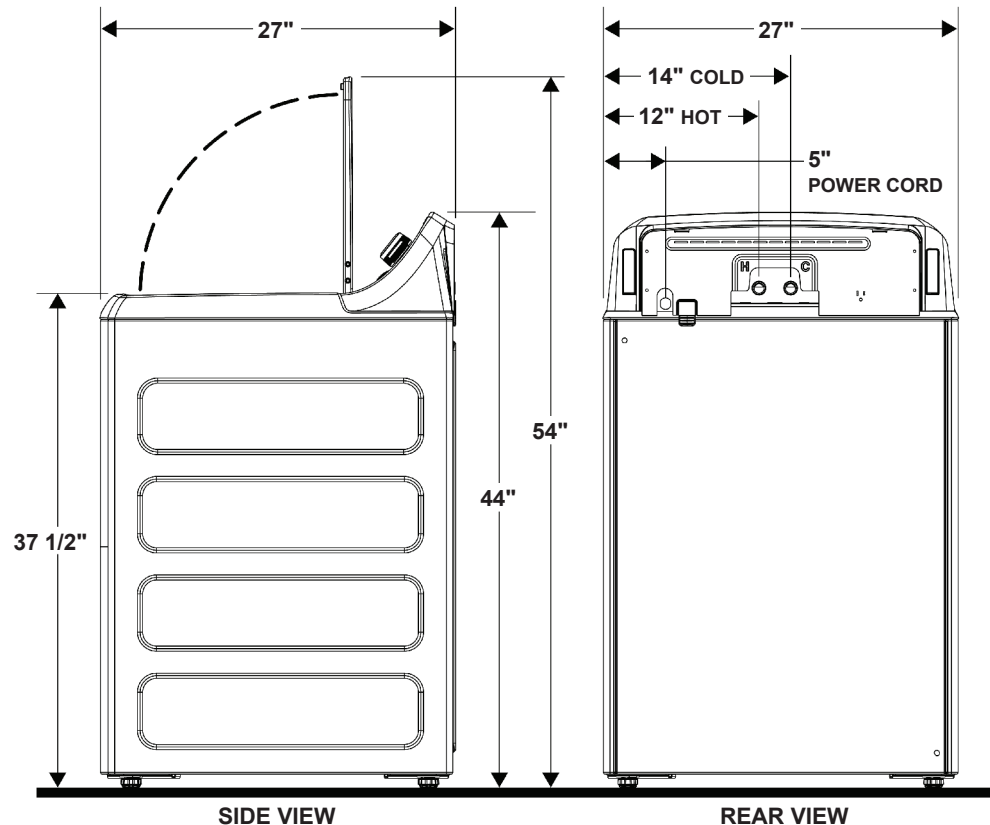
DIMENSIONS AND INSTALLATION INFORMATION (IN INCHES)

CIRCUIT REQUIREMENTS: An individual, properly-grounded branch circuit, with a three-prong grounding-type receptacle, protected by a 15 or 20 amp circuit breaker or a time-delay fuse, is required.

ELECTRICAL RATING: 120V, 60Hz, 10A

Note: Washer wall outlet must be located within 36" of service code entry. Wall outlet must not be located behind dryer.

INSTALLATION INFORMATION: Before installing, consult installation instructions packed with product for current dimensional data.



For answers to your Monogram, GE Café™ Series, GE Profile™ Series or GE Appliances product questions, visit our website at geappliances.com or call GE Answer Center® Service, 800.626.2000.



Listed by
Underwriters
Laboratories

Specification Revised 2/16

GTW490ACJ

GE Appliances ENERGY STAR® 4.4 DOE Cu. Ft. Capacity Stainless Steel Basket Washer

FEATURES AND BENEFITS

ENERGY STAR® certified – Meets or exceeds federal guidelines for energy efficiency for year-round energy and money savings

Infusor wash system – A low-profile infusor plate provides great cleaning results while requiring less water

Deep Fill – Customize your water-fill levels with just the touch of a button. Add a little extra or fill the tub to wash the way you want

Stain Pretreat – Assists removing tough stains with preprogrammed settings that modify your cycle to treat the four most common stains

Deep Rinse – When selected, the deep rinse cycle ensure clothes are rinsed of soap residue and fabric softener

Auto Soak – Loosens stains by soaking prior to the wash cycle

Speed Wash – Provides a quick wash for lightly soiled items that are needed in a hurry

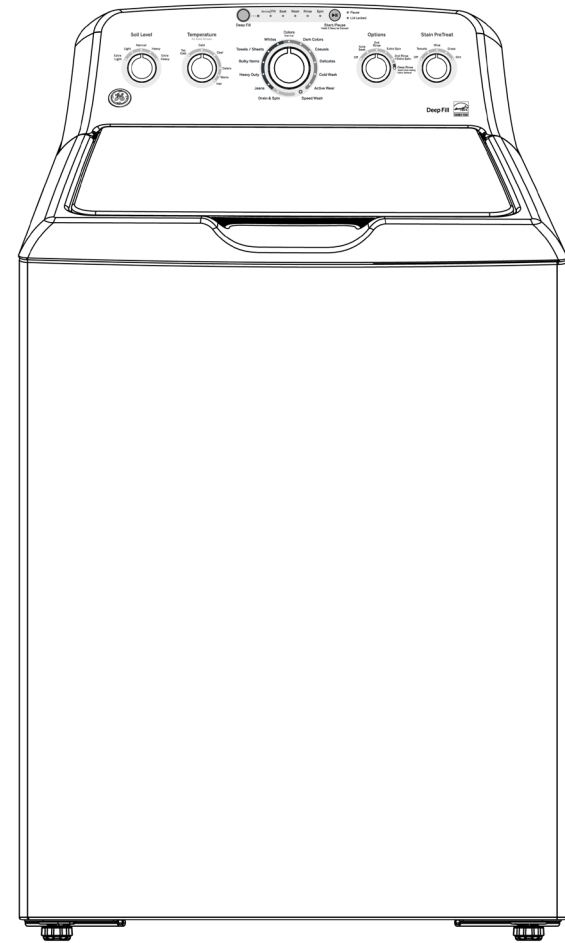
Electronic controls with cycle status lights provide accurate cycle times

800-RPM spin speed – Fast spin speeds remove water efficiently and minimize dry times

Inlet fill hoses included

Model GTW490ACJWW – White

Model GTW490ACJWS – White with silver backsplash



MODIFIED ENERGY FACTOR (IMEF)	2.07
WATER FACTOR (IWF)	4.1

