



# 5.1 cu. ft. Gas Range

WFG320M0B



Stainless Steel  
WFG320M0BS

### Also available in:

White Ice **WFG320M0BW**

Black Ice **WFG320M0BB**

### Capacity

Oven 5.1 cu. ft.

### General Features & Properties

Under-Oven Broiler

AccuSimmer® Burner

Griddle (Optional)

Adjustable Oven Racks

Control Lock

Clock & Timer

Oven Light

### Electrical Details

Amps 15

Volts 120

### Technical Details

Fuel Type	Gas
Range Type	Freestanding Single Oven
Oven Cooking System	Thermal
Number of Oven Racks	2
Cleaning Type	Manual Clean
Number of Burners	4
Burner Type	Sealed Burners
Burner Power	(1) 5000 BTU (1) 9500 BTU (2) 15,000 BTU

### Dimensions

Product Dimensions (H x W x D)	46-1/4" x 29-7/8" x 27-1/4"
Depth with Door Open 90°	45-1/4"

### Reference Material

[Dimension Guide](#)

[Install Guide](#)

[Use & Care Guide](#)

[Warranty](#)

### Key Features & Benefits

#### SpeedHeat™ Burners

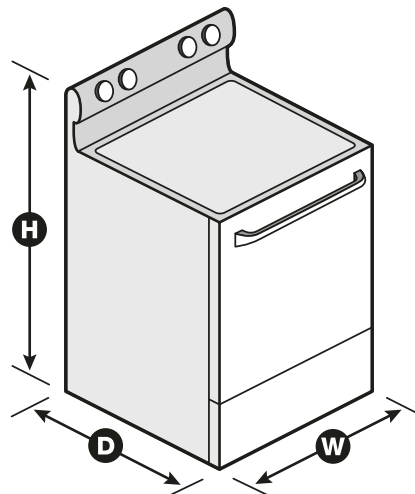
Sear and boil quickly with high-heat burners that offer up to 15,000 BTUs.

#### Full-Width Cast-Iron Grates

Cast-iron grates cover nearly the whole cooktop surface, providing flexibility to easily slide heavy pots and pans to optimal cooking locations.

#### Large Oven Window

Monitor cooking progress without opening the door, keeping oven temperatures steady and undisturbed.



NOTE: Dimensions are for planning purposes only. For complete details, see Installation Instructions packed with product. Specifications subject to change without notice.

®/™ © 2020. All rights reserved. Printed in the U.S.A. D200052XXB. WFG320M0BSPECSHEETV01.