



5.3 cu. ft. Electric Range

WFE505W0H



Stainless Steel
WFE505W0HS

Also available in:



White

WFE505W0HW



Black

WFE505W0HB

Capacity

Oven	5.3 cu. ft.
------	-------------

General Features & Properties

Temperature Sensor	
--------------------	--

Closed Door Broiling	
----------------------	--

Warm Zone Element	
-------------------	--

Control Lock Mode	
-------------------	--

Steam Clean Option	
--------------------	--

5.3 cu. ft. Capacity	
----------------------	--

Easy-Wipe Ceramic Glass Cooktop	
---------------------------------	--

Large Oven Window	
-------------------	--

Dishwasher-Safe Knobs	
-----------------------	--

Electrical Details

Amps	40
------	----

Volts	120/240
-------	---------

Certifications

ADA Compliant	Yes
---------------	-----

Star-K Certified/Kosher	Yes
-------------------------	-----

Technical Details

Fuel Type	Electric
-----------	----------

Range Type	Freestanding Single Oven
------------	--------------------------

Oven Cooking System	Thermal
---------------------	---------

Number of Oven Racks	2
----------------------	---

Cleaning Type	Steam Clean
---------------	-------------

Number of Elements	5
--------------------	---

Element Type	Radiant
--------------	---------

Element Size/Power	(1) 9" 6" 3000W (1) 9" 2500W (2) 6" 1200W (1) 6" 100W
--------------------	--

Dimensions

Product Dimensions (H x W x D)	46-7/8" x 29-7/8" x 27-3/4"
--------------------------------	-----------------------------

Depth with Door Open 90°	46-11/16"
--------------------------	-----------

Reference Material

[Dimension Guide](#)

[Install Guide](#)

[Use & Care Guide](#)

[Warranty](#)

Key Features & Benefits

Frozen Bake™ Technology

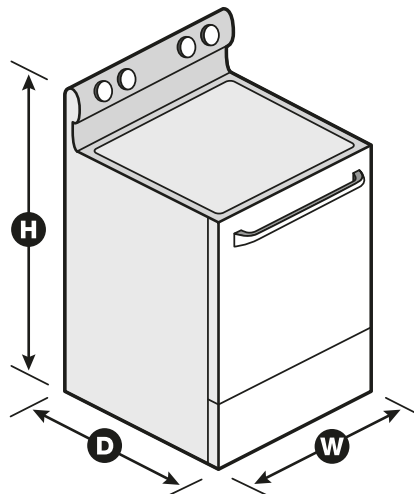
Cook frozen favorites faster with preprogrammed settings that automatically adjust cooking times.

FlexHeat™ Dual Radiant Element

A 6" inner ring is great for smaller pots and pans, while the 9" outer ring heats larger cookware.

Keep Warm Setting

Delivers low heat to the oven to keep prepared dishes from getting cold.



NOTE: Dimensions are for planning purposes only. For complete details, see Installation Instructions packed with product. Specifications subject to change without notice.

®/™ © 2020. All rights reserved. Printed in the U.S.A. D200052XXB. WFE505W0HSPECSHEETV01.