



6.4 cu. ft. Smart Combination Wall Oven

WOC75EC0H



Stainless Steel
WOC75EC0HS

Also available in:

- White **WOC75EC0HW**
- Black **WOC75EC0HB**
- Black Stainless **WOC75EC0HV**

Capacity

Oven	6.4 cu. ft.
------	-------------

General Features & Properties

Touchscreen
Voice control with a compatible voice-enabled device**
Fingerprint Resistant
Frozen Bake™ technology
Multi-Step Cooking
True Convection Cooking
Convection Conversion
Steam Clean option
Scan-to-Connect Technology

Electrical Details

Amps	40
Volts	240

Certifications

Connected/Smart Appliance	Yes
Star-K Certified/Kosher	Yes

Technical Details

Fuel Type	Electric
Oven Type	Combination
Oven Cooking System	True Convection
Number of Oven Racks	3
Cleaning Type	Self-Cleaning

Dimensions

Product Dimensions (H x W x D)	42-9/16" x 30" x 23-1/4"
Depth with Door Open 90°	46-3/4"
Cutout Dimensions (H x W x D)	41-5/16" x 28-1/2" x 24"

Reference Material

- [Install Guide](#)
- [Use & Care Guide](#)
- [Energy Guide](#)
- [Warranty](#)

Key Features & Benefits

Smart Appliance

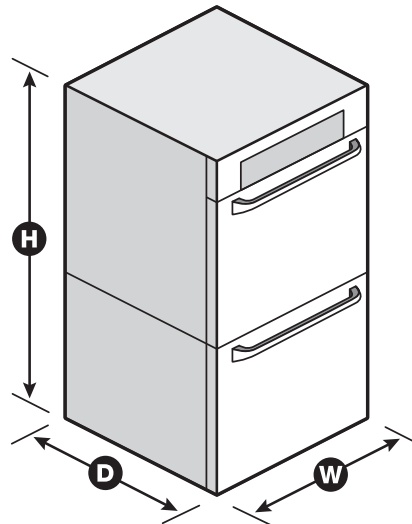
Care smarter with connected features that let you send cooking instructions to the oven from your smartphone, control your kitchen with voice commands using a compatible voice-enabled device* or skip preheating.

Scan-to-Cook Technology**

Get the right settings every time. Scan a frozen food barcode with your smartphone or tablet and send recommended or customized cooking instructions straight to your oven or microwave for dinner done the way your family wants it.

Yummly® Guided Cooking**

Prompts in the app even send cooking instructions straight to your Whirlpool® smart wall oven† at the right times, so dinner's ready when your family's hungry.



*Appliance must be set to remote enable. WiFi & App Required. Features subject to change. Details and privacy info at whirlpool.com/connect. **U.S. Only. †Select recipes only. Compatible smart appliance required. Appliance must be set to remote enable. Features subject to change. For details and privacy statements, visit whirlpool.com/connect and yummly.com/privacy. NOTE: Dimensions are for planning purposes only. For complete details, see Installation Instructions packed with product. Specifications subject to change without notice.