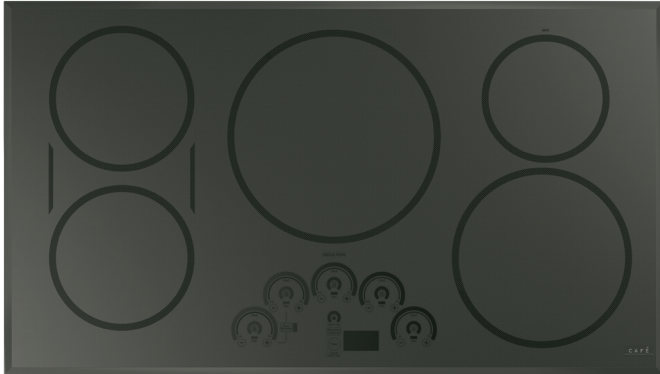


Café™ 36" Built-In Touch Control Induction Cooktop

CHP95362MSS

CAFÉ

DISTINCT BY DESIGN™



FEATURES & BENEFITS

Gourmet results without any guesswork - Take culinary skills to the next level with Gourmet Guided Cooking, which combines video-guided recipes from chefs with a system that automatically adjusts the time, temperature and cooking pace for perfect results

Precise temperature control for reliably amazing results - Maintain a set temperature within one degree, thanks to a precise Control Mode that makes temperature-sensitive cooking methods simple

Control at your fingertips - Make your cooking process as stylish as the food itself with touch controls that let you control heat with just one swipe

The cooktop just got smarter - Always have peace of mind in the kitchen, with cooktop technology that senses the presence of cookware and turns off the burners when cookware is removed

Boil water in a flash - Save time with a large 3,700-watt induction element that boils one quart of water in just 101 seconds and melts butter with exact temperatures for amazing efficiency

Safety controls add peace of mind - Maintain a worry-free environment in your kitchen with a control lock capability that prevents unintended burner activation

More heat for more space - Evenly heat large cookware like griddles by controlling two 7" synchronized elements with just the touch of a button

Guaranteed to fit your space - When you're updating your kitchen, attention to detail is a priority. That's why Café cooktops are guaranteed for an exact fit or Café Appliances will pay up to \$100 toward modifications.

Multitasking now has a timer - Make multitasking look easy with a multi-element timer that lets you manage up to five pans at once

Induction technology that helps you cook better - Prep like a pro with rapid, precise heat control that stays cool to the touch using five induction elements

APPEARANCE

Color Appearance	Flagstone Gray
Frameless	Yes

FEATURES

Cooktop Surface	Gray Ceramic Glass with Beveled-Edge
Cooktop Burner Type	5 Induction Elements
Element - Left Front	7" 2500W
Element - Left Rear	7" 2500W
Element - Right Front	8" 3200W
Element - Right Rear	6" 1800W
Element - Center	11" 3700W
Control Location	Front Center
Control Type	Glide Touch
Element - Right Rear	6" 1800W
Control Location	Front Center
Control Type	Glide Touch
Cooktop Control Features	Control Lock Capability; Custom Settings; Kitchen timer; Melt Setting; Sync-Burners Capability
Melt Setting	Yes
Indicator Lights	5 Hot Surface; Surface Element "ON"; Setting Level Indicators; White/Red
Timer	Yes
Optional Accessories	JXPROBE1 - Precision cooking probe JXGRIDL1 - Griddle

WEIGHTS & DIMENSIONS

Approximate Shipping Weight	57 lb
Cabinet Width	36 in
Cooktop Size	36 in
Cutout Dimensions (Width x Depth) (In.)	33-7/8 x 19-1/8
Net Weight	50 lb
Overall Depth	20 3/8 in
Overall Height	4 5/8 in
Overall Width	36 in

POWER/RATINGS

Amp Rating at 208V	50
Amp Rating at 240V	50
KW Rating at 208V	9.6
KW Rating at 240V	11.1

ACCESSORIES

11" Gourmet Guided Cooking Pan	Included
--------------------------------	----------

Café™ 36" Built-In Touch Control Induction Cooktop

CHP95362MSS

CAFÉ

DISTINCT BY DESIGN™

WARRANTY

Parts warranty	Limited 1-year entire appliance
Labor warranty	Limited 1-year entire appliance

DIMENSIONS AND INSTALLATION

Important: Requires a 3" free area between the bottom of the cooktop to any combustible material, i.e., shelving. Free area not required when installing wall oven underneath cooktop. Refer to installation instructions. Requires a 15" minimum from cooktop to adjacent overhead cabinets. Units are furnished with a 48" flexible armored cable.

Note: 36" induction cooktops are approved for use over select Café 30" Single Wall Ovens and Warming Drawers. Refer to cooktop and wall oven/warming drawer installation instructions packed with product for current dimensional data. If installed with a Café Telescopic Downdraft System, consult both the cooktop and downdraft installation instructions packed with product before installing. Cooktop gas/electric supply may need to be re-routed to install downdraft. The countertop cutout requires 23-1/2" minimum flat countertop surface and 25" minimum total countertop depth. In addition, other clearances to front edge of the countertop must be considered.

Before installing, consult installation instructions packed with product for current dimensional data.

KW RATING

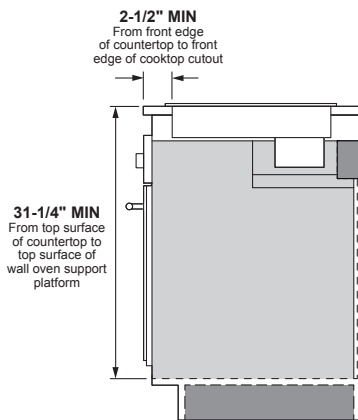
240V	11.1
208V	9.6

AMPERAGE

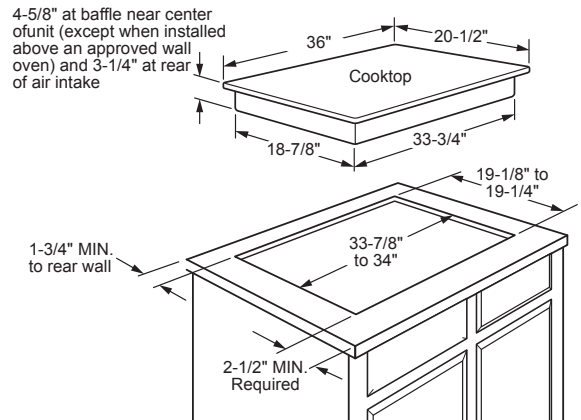
240V	50 Amps*
208V	50 Amps*

Note: Check local codes for required breaker size.

Installation above a wall oven



Approximate Cooking Dimensions



To insure accuracy, it is best to make a template when cutting the opening in the counter

