



# 1.9 cu. ft. Smart Over-the-Range Microwave

## WMH78019H



Fingerprint Resistant Stainless Steel  
WMH78019HZ

### Also available in:

- White **WMH78019HW**
- Black **WMH78019HB**
- Black Stainless Steel **WMH78019HV**

### Capacity

|       |             |
|-------|-------------|
| Total | 1.9 cu. ft. |
|-------|-------------|

### General Features & Properties

Tap Touch Controls with Backlit Menu

4-speed, 400 CFM Motor Class

Fingerprint Resistant

Multi-Step Cooking

Scan-To-Connect Technology

Guided Service

Maintenance Alerts

Remote Start

Control Lock Mode

### Electrical Details

|      |    |
|------|----|
| Amps | 16 |
|------|----|

|       |     |
|-------|-----|
| Volts | 120 |
|-------|-----|

### Certifications

|                           |     |
|---------------------------|-----|
| Connected/Smart Appliance | Yes |
|---------------------------|-----|

|                         |     |
|-------------------------|-----|
| Star-K Certified/Kosher | Yes |
|-------------------------|-----|

### Technical Details

|                |                |
|----------------|----------------|
| Microwave Type | Over-the-Range |
|----------------|----------------|

|      |     |
|------|-----|
| CFMs | 400 |
|------|-----|

|               |              |
|---------------|--------------|
| Lighting Type | Incandescent |
|---------------|--------------|

|                  |   |
|------------------|---|
| Number of Speeds | 4 |
|------------------|---|

|              |         |
|--------------|---------|
| Venting Type | Updraft |
|--------------|---------|

### Dimensions

|                                |                           |
|--------------------------------|---------------------------|
| Product Dimensions (H x W x D) | 17-1/8" x 29-15/16" x 16" |
|--------------------------------|---------------------------|

|                          |          |
|--------------------------|----------|
| Depth with Door Open 90° | 44-5/16" |
|--------------------------|----------|

|                           |                   |
|---------------------------|-------------------|
| Cutout Dimensions (W x D) | 30" x 12" minimum |
|---------------------------|-------------------|

### Reference Material

[Dimension Guide](#)

[Install Guide](#)

[Use & Care Guide](#)

[Warranty](#)

### Key Features & Benefits

#### Smart Appliance

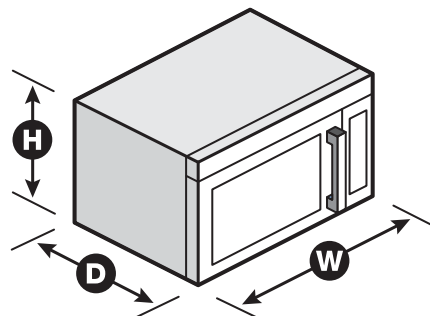
Care smarter with connected features that let you send cooking instructions to the microwave from your smartphone, control your kitchen with voice commands using a compatible voice-enabled device or easily keep up with service and maintenance.\*

#### Scan-to-Cook Technology

Get the right settings every time. Scan a frozen food barcode with your smartphone or tablet and send recommended or customized cooking instructions straight to your microwave for dinner done the way your family wants it.\*\*

#### Voice control with a compatible voice-enabled device

Control your kitchen no matter what you've got on your hands with simple voice commands using the Google Assistant or an Alexa-enabled device.



\*Appliance must be set to remote enable. \*\*Not all frozen foods included. WiFi & App Required. Features subject to change. Details and privacy info at [whirlpool.com/connect](http://whirlpool.com/connect). NOTE: Dimensions are for planning purposes only. For complete details, see Installation Instructions packed with product. Specifications subject to change without notice.