

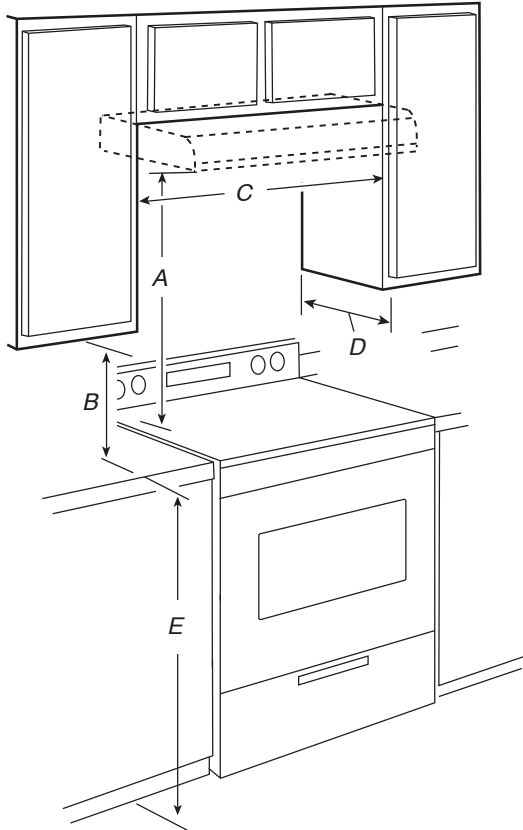
# Range Hood - 30" (76.2 cm)

## PRODUCT MODEL NUMBERS

WVU17UC0JS0, WVU17UC0JB0, WVU17UC0JW0

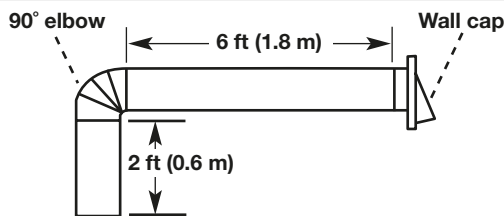
**Electrical:** A 120 V, 60 Hz, AC only, 15 A, fused electrical circuit is required.

## CABINET OPENING DIMENSIONS



- A. 24" (61.0 cm) minimum distance from electric cooking surface.  
24" (61.0 cm) minimum distance from gas cooking surface.  
30" (76.2 cm) suggested maximum above the cooking surface.
- B. 18" (45.7 cm) minimum clearance - upper cabinet to countertop.
- C. 30" (76.2 cm) minimum cabinet opening width for 30" (76.2 cm) models.
- D. 12" (30.5 cm) cabinet depth.
- E. 36" (91.4 cm) base cabinet height.

## Example vent system



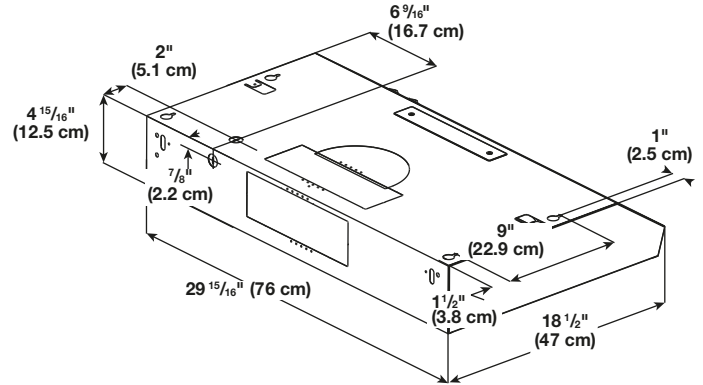
1 - 90° elbow	= 5 ft (1.5 m)
1 - wall cap	= 0 ft (0.0 m)
8 ft (2.4 m) - straight	= 8 ft (2.4 m)
<b>System length</b>	<b>= 13 ft (3.9 m)</b>

## Maximum Recommended Length

7" (17.8 cm) Round Vent = 50 ft (15.2 m)

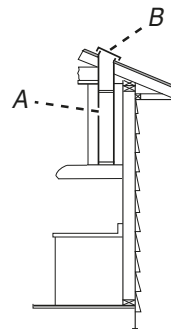
Because Whirlpool Corporation policy includes a continuous commitment to improve our products, we reserve the right to change materials and specifications without notice.

## PRODUCT DIMENSIONS



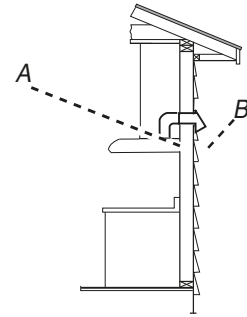
## VENTING REQUIREMENTS

### Top Venting



- A. 7" (17.8 cm) round vent through roof (purchased separately).
- B. Roof cap with damper (purchased separately)

### Wall Venting



- A. 7" (17.8 cm) round vent out the top and through the wall (purchased separately).
- B. Wall cap with damper (purchased separately)

## Calculating Vent System Length

To calculate the length of the system you need, add the equivalent feet (meters) for each vent piece used in the system.

## Vent System

Vent Piece	Length	Diagram
45° elbow	2.5 ft (0.8 m)	
90° elbow	5 ft (1.5 m)	
7" (17.8 cm) wall cap	0 ft (0 m)	

Dimensions are for planning purposes only. For complete details, see Installation Instructions packed with product. Specifications subject to change without notice.

W11407190A

11/19