

PVX7360SJ/FJ

GE Profile™ 36" Under The Cabinet Hood

DIMENSIONS AND INSTALLATION INFORMATION (IN INCHES)

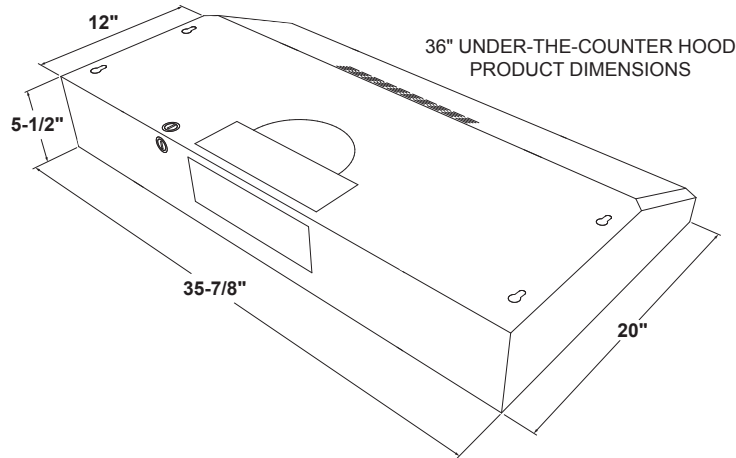
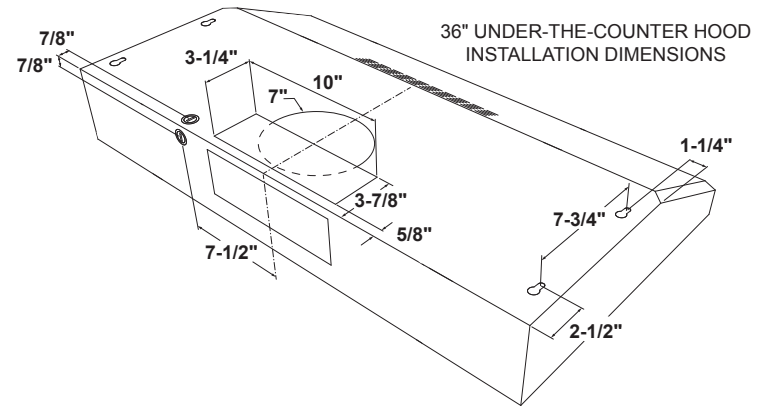
WB02X11537 replacement grease filter and JXCF55 replacement charcoal filter are available for additional cost. Call toll-free 800.626.2000.

Installation Information: Before installing, consult installation instructions, packed with product, for current dimensional data.

Additional accessories:

- JXS56SS 15" cabinet spacer
- UXRC70 remote control
- JXDA22 optional damper

| AMP RATING | |
|------------|-----|
| 120V | 2.5 |



Exhaust outlet connects to 3-1/4" x 10" rectangular duct. Vent top or rear. Includes rectangular damper.



For answers to your Monogram, GE Café™, GE Profile™ or GE Appliances product questions, visit our website at geappliances.com or call GE Answer Center® Service, 800.626.2000.



Listed by Underwriters Laboratories



PVX7360SJ/FJ

GE Profile™ 36" Under The Cabinet Hood

FEATURES AND BENEFITS

Easy installation – 10 minutes or less by one person

Four-speed with boost, 390-CFM venting system – Removes smoke, grease, odors and moisture

Glass touch controls – Set functions quickly and clean with little effort

Dual LED lighting with nightlight – Choose bright light while cooking or low light at night

Chef Connect – Sync your hood with your range using Bluetooth to automatically control your hood's lights and fan

Auto-off – Set the vent hood to automatically shut off after 15 minutes

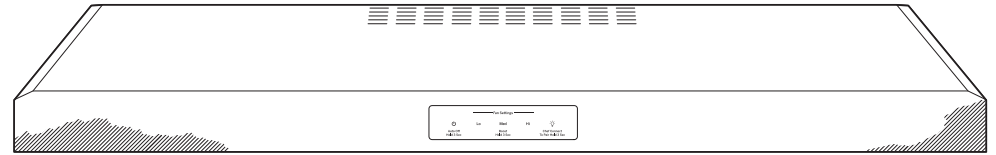
Convertible venting options – Select recirculating or external venting

Appearance (Fully enclosed bottom) – Enjoy a sleek appearance from every angle

Optional remote control – Control your ventilation lighting and fan speed from anywhere in the kitchen

Model PVX7300SJSS – Stainless steel

Model PVX7360FJDS – Black slate



| CFM/SONES RATINGS | |
|---------------------------|---------|
| Exhaust Boost Speed (BS) | 390/8.0 |
| Exhaust High Speed (HS) | 310/6.0 |
| Exhaust Medium Speed (MS) | 210/4.0 |
| Exhaust Low Speed (LS) | 70/1.5 |

