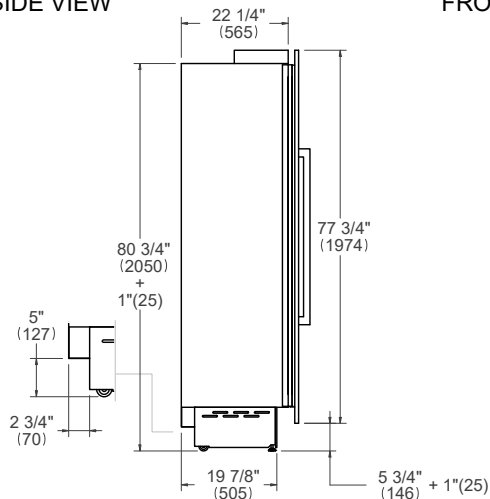
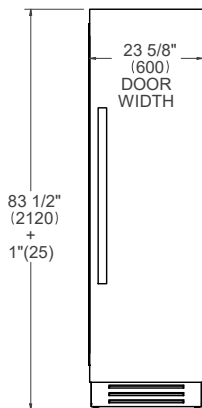


PRODUCT DIMENSIONS

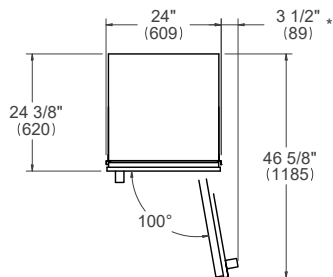
SIDE VIEW



FRONT VIEW



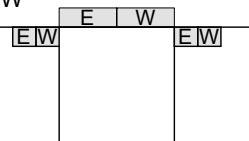
TOP VIEW



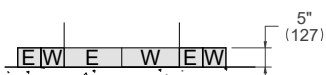
* Maximum Overall Handle Dimension

ELECTRICAL & WATER CONNECTION

TOP VIEW



FRONT VIEW



E

A properly-grounded, horizontally-mounted electrical receptacle should be installed according to this drawing.

W

To connect to the water supply system, a 3/4" NPT waterline with accessible shut-off valve must be supplied.

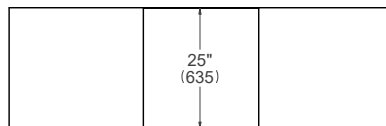
Connection(s) placement within the opening may require additional cabinet depth.

INSTALLATION REQUIREMENTS

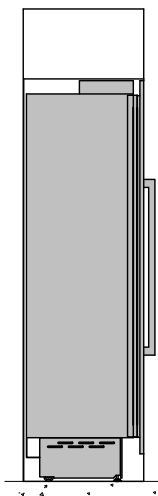
If the appliance(s) is not connected through the side profile trims to secured cabinetry anti-tip brackets must be installed.

CUTOUT DIMENSIONS

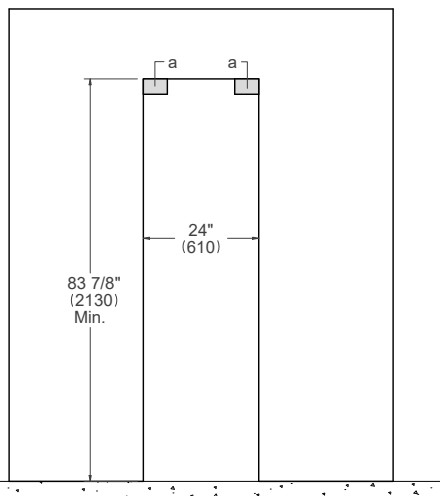
TOP VIEW



SIDE VIEW



FRONT VIEW



(a) Area to be left clear for the anti-tipping brackets – 3"1/2x5" (82x127mm)