

# Installation Instructions

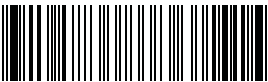
## Advantium® 120V Built-In SpeedCook and 120V Built-In Convection Ovens

CSB9120  
PSB9120  
ZSC1201  
ZSC1202  
CWB7030  
PWB7030  
CWB713

### Español

For a Spanish version of this manual, visit our Website at [GEAppliances.com](http://GEAppliances.com).

Para consultar una versión en español de este manual de instrucciones, visite nuestro sitio de internet [GEAppliances.com](http://GEAppliances.com).



MFL59060930\_00

**31-2000001-6**

07-20 GEA

GE is a trademark of the General Electric Company. Manufactured under trademark license.

# Safety Information

## BEFORE YOU BEGIN

Read these instructions completely and carefully.

**IMPORTANT** — Save these instructions for local inspector's use.

**IMPORTANT** — Observe all governing codes and ordinances.

- **Note to Installer** — Be sure to leave these instructions with the Consumer.
  - **Note to Consumer** — Keep these instructions with your Owner's Manual for future reference.
  - **Skill Level** — Installation of this appliance requires basic mechanical and electrical skills.
  - **Completion Time — 1 Hour.**
  - Proper installation is the responsibility of the installer. Product failure due to improper installation is not covered under the warranty. See Owner's Manual for warranty information.
- NOTE:** This oven is only approved to be installed under the specific models as labeled on this unit.

**IMPORTANT** — Use this oven only for its intended purpose. Never use the oven for warming or heating a room. Prolonged use of the oven without proper ventilation can be hazardous.

### ⚠ CAUTION

For personal safety, remove house fuse or oven circuit breaker before beginning installation to avoid severe or fatal shock injury.

### ⚠ CAUTION

For personal safety, the mounting surface must be capable of supporting the cabinet load, in addition to the added weight of the oven and drawer, plus additional oven loads.

### ⚠ CAUTION

If installing the Advantium/ Convection 120V Oven below 36", you must use the **plastic** bottom trim due to burn risk to children. The plastic trim acts as insulation and will help prevent burns to children from hot surfaces.

## CONTENTS

### Design Information

Models Available .....	2
Product Dimensions and Clearances .....	3
Tools Required .....	3
Parts Supplied .....	3
Advance Planning .....	3

### Installation Preparation

Electrical Requirements .....	4
Preparing the Opening (Standard) .....	5-8

Preparing the Opening (Flush Mount) .....	9-10
---	------

### Storage Drawer Preparation

Standard .....	11
Flush .....	11

### Installation Instructions

Step 1, Remove Packaging and Parts .....	12
Step 2, Door Trim Removal for above 36" Installation only .....	13
Step 3, Slide the Oven into the Cutout .....	13
Step 4, Install Bottom Trim .....	14
Step 5, Install Bottom Trim with Accessory Drawer .....	14
Step 6, Install Mounting Screws .....	14
Step 7, Finalize Installation .....	14

## MODELS AVAILABLE

### Profile Models:

PSB9120WW – White\*  
PSB9120BB – Black  
PSB9120SS – Stainless Steel  
PSB9120ES – Slate  
PWB7030SL – Stainless Steel  
PWB7030EL – Slate  
PSB9120BL – Black Stainless Steel

### Monogram Models:

ZSC1201SS – Stainless Steel  
ZSC1202SS – Stainless Steel\*\*

### Café Models:

CSB9120SS – Stainless Steel  
CWB7030SL – Stainless Steel  
CWB713P2NS1 – Stainless Steel

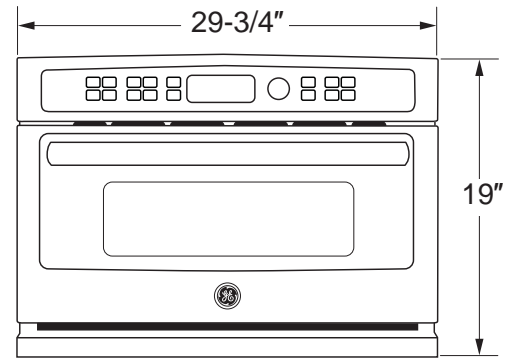
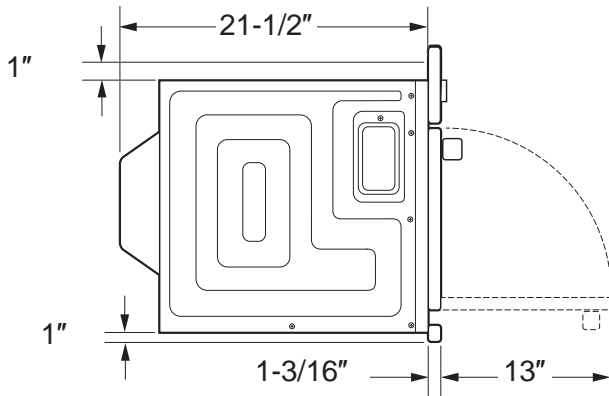
\*No color-matched drawer available for this model.

\*\*This unit cannot be installed with an accessory storage drawer.

# Design Information

## PRODUCT DIMENSIONS AND CLEARANCES

NOTE: Appearance will vary by model.



## TOOLS AND PARTS REQUIRED (NOT SUPPLIED)

- #2 Phillips screwdriver
- Hand-held drill
- High speed drill bit, 3/32" diameter
- 3/8" slot-head screwdriver
- Level
- Saw
- 3/8" min. plywood for floor (if required)
- Wood screws or other hardware for installing runner or shelf to support oven (if required)
- Safety glasses or goggles

## FLUSH MOUNT INSTALLATION (Monogram Only)

This installation method allows for the unit face to be inline with the cabinet face.

**IMPORTANT: HIGH SKILL LEVEL IN CARPENTRY IS REQUIRED. Non-standard cabinetry may be required.**

Flush installation of the oven will lead to the exposure of the cabinet face frame edges.

Side cleats may be visible and should be a finished surface.

## ADVANCE PLANNING

- These ovens may be installed directly into a 30" wide oven cabinet with standard installation.
- Cutout height dimensions are different for installations with an accessory storage drawer. Make sure to use the correct cutout when preparing the opening.
- Allow for clearance to adjacent corners, walls, drawers, etc.
- Cabinets installed adjacent to wall ovens must have an adhesion spec of at least 194°F temperature rating.

The oven must be securely installed in a cabinet that is firmly attached to the house structure. Weight on the oven door could cause the oven to tip and result in injury. Never allow anyone to climb, sit, stand or hang on the oven door.

If installing the drawer accessory, the drawer must be assembled to the oven prior to installation into the cabinet. See the **Accessory Storage Drawer Assembly Instructions**.

# Installation Preparation

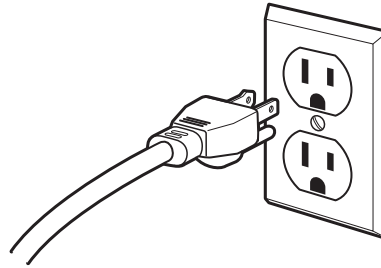
## ELECTRICAL REQUIREMENTS

### Single Advantium/Convection 120

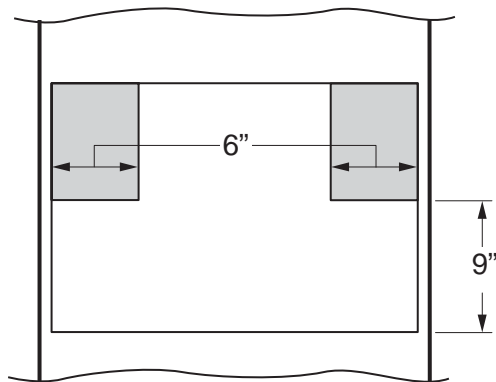
#### Installation:

This product requires a 120-volt, 60 Hz, 15-amp circuit and draws 1.8 kilowatts. This product must be connected to a supply circuit of the proper voltage and frequency.

- Wire size must conform to the requirements of the National Electrical Code or the prevailing local code for this kilowatt rating.
- The power supply cord and plug should be brought to a separate 15 or 20 ampere branch circuit single grounded receptacle. The outlet box should be located within reach of the 48" power cord.



## ELECTRICAL LOCATION



Locate outlet box in the shaded area

Install a recessed electrical outlet in the back wall of the opening within 6" of either side and at least 9" above the cutout floor.

## GROUNDING INSTRUCTIONS

This appliance must be grounded. In the event of an electrical short circuit, grounding reduces the risk of electric shock by providing an escape wire for electric current. This appliance is equipped with a cord having a grounding wire with a grounding plug. The plug must be plugged into an outlet that is properly installed and grounded.

**⚠ WARNING** Improper use of the grounding plug can result in a risk of electric shock.

### IMPORTANT: (Please read carefully).

The power cord of this appliance is equipped with a three-prong (grounding) plug that mates with a standard three-prong grounding wall receptacle to minimize the possibility of electric shock. Consult a qualified electrician or serviceman if the grounding instructions are not completely understood, or if doubt exists as to whether the appliance is properly grounded.

- Where a standard two-prong wall receptacle is encountered, it is the personal responsibility and obligation of the consumer to have it replaced with a properly grounded three-prong wall receptacle. Do not, under any circumstances, cut or remove the third (ground) prong from the power cord.

**DO NOT USE AN EXTENSION CORD.** If the power supply cord is too short, have a qualified electrician or serviceman install an outlet near the appliance.

# Standard Installation Preparation

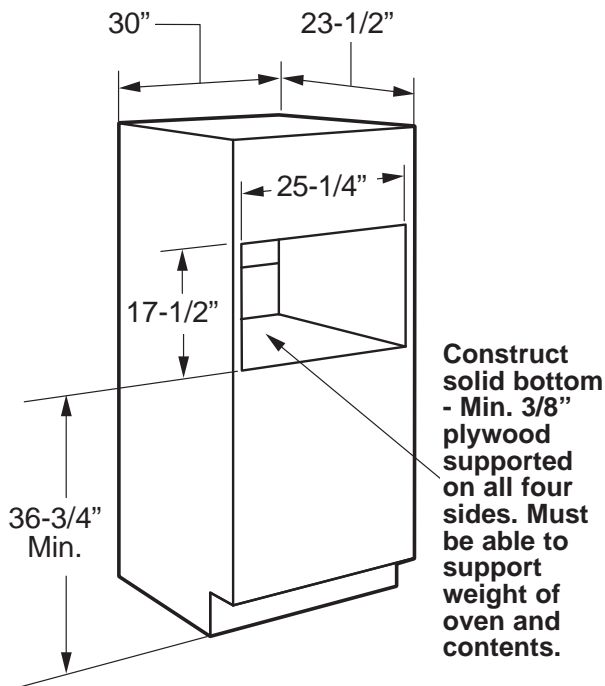
**IMPORTANT:** Always maintain 36-3/4" minimum height from the floor to the cutout in any single or combined installation unless plastic trim is installed.

## PREPARE THE OPENING

The Advantium/Convection 120 can be installed in combination with other Built-In Appliances. Always follow each product's Installation Instructions to complete the installation.

### Single Advantium/Convection 120 Installation:

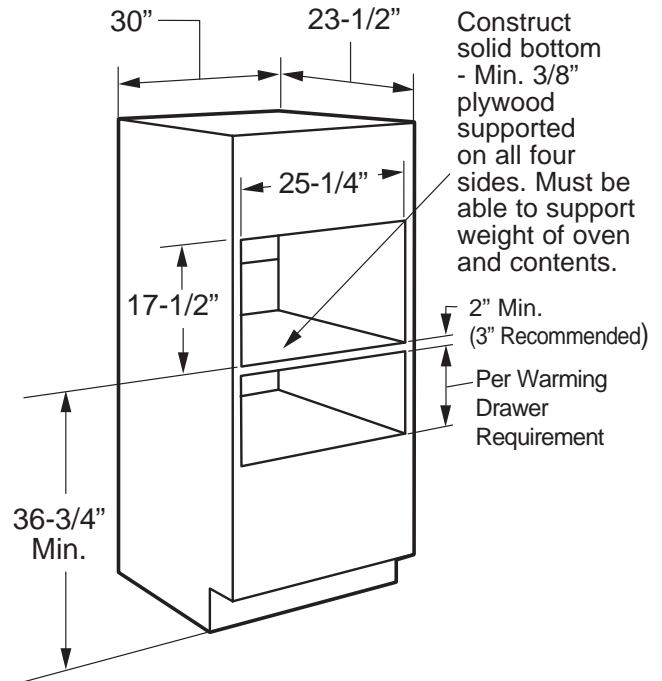
Order a 30" wide single oven cabinet or cut the opening in a wall to the dimensions shown.



- Allow the following clearances around the cutout on the front surface of the cabinet : 5/8" from the top, 2-3/8" from the side edges, and 1-1/8" from the bottom. (Note: these refer to minimum clearances required for installation and do not reflect actual product dimensions.)
- Oven overlaps will conceal cut edges on all sides of the opening. When installed over a single oven or a warming drawer, allow at least 2" between the two openings. This separation will provide clearance for bottom overlap of the Advantium/Convection 120 and the other appliance overlaps.
- The support must be level and rigidly mounted, flush with the bottom edge of the cutout.

## PREPARE THE OPENING (CONT.)

### Installation over a Warming Drawer:



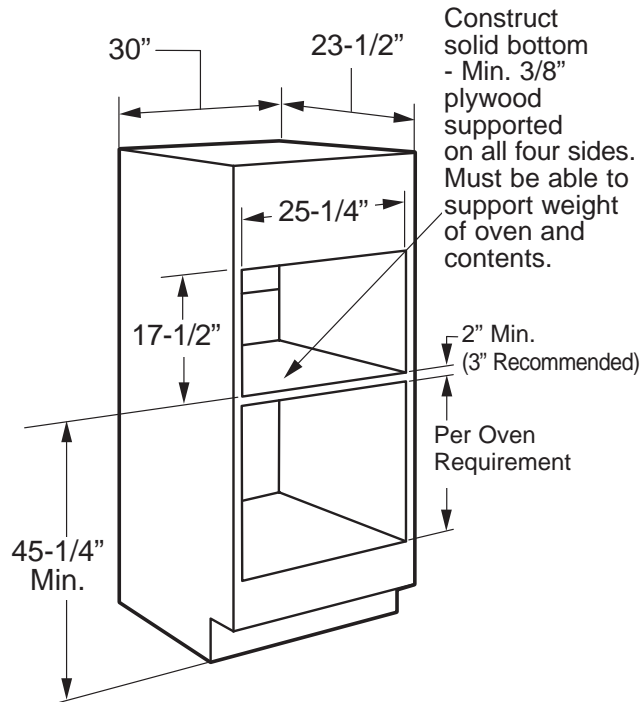
**NOTE:** Additional clearances between the cutouts may be required. Check to be sure the oven supports above the Warming Drawer location does not obstruct the required interior depth and height. See Warming Drawer installation instructions for details.

# Standard Installation Preparation

**IMPORTANT:** Always maintain 36-3/4" minimum height from the floor to the cutout in any single or combined installation unless plastic trim is installed.

## PREPARE THE OPENING (CONT.)

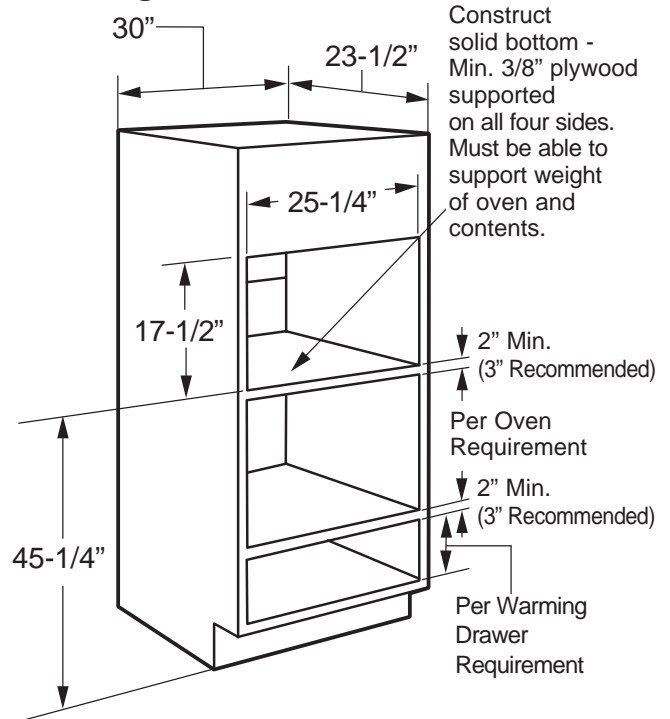
### Installation over a Wall Oven:



\* If you are replacing an electric double oven with the combined installation of an Advantium/Convection 120 and a single oven, use the dimensions shown. The middle rail separating the two openings may need to be larger than the 2" minimum shown.

## PREPARE THE OPENING (CONT.)

### Installation over a Wall Oven and Warming Drawer:



**NOTE:** Additional clearances between the cutouts may be required. Check to be sure the oven supports above the Warming Drawer location does not obstruct the required interior depth and height. See Warming Drawer installation instructions for details.

### **CAUTION**

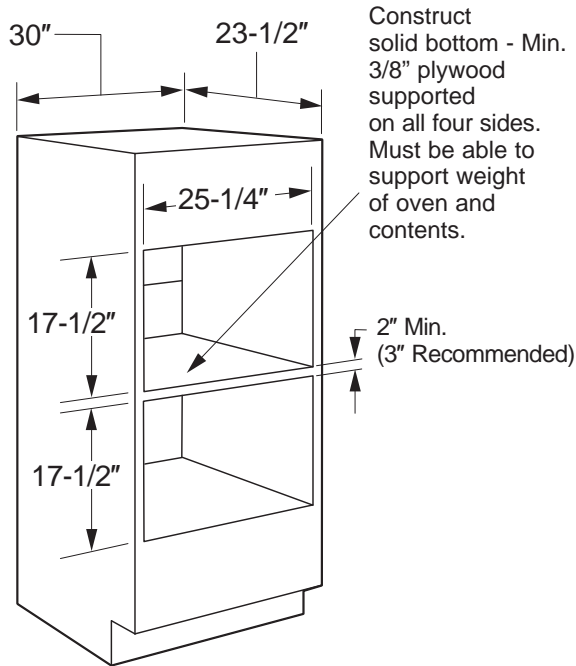
For personal safety, the mounting surface must be capable of supporting the cabinet load, in addition to the added weight of the oven and drawer, plus additional oven loads.

# Standard Installation Preparation

**IMPORTANT:** Always maintain 36-3/4" minimum height from the floor to the cutout in any single or combined installation unless plastic trim is installed.

## PREPARE THE OPENING (cont.)

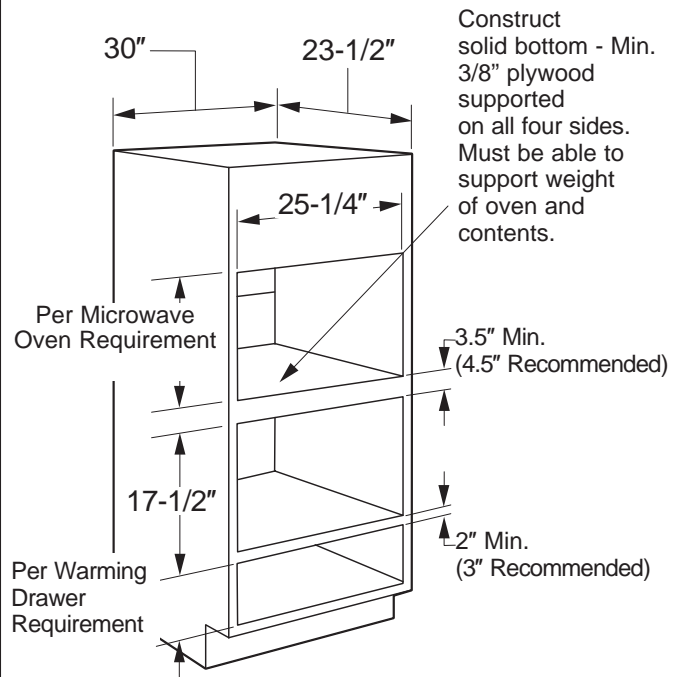
### Installation over another Built-In SpeedCook Oven:



- If you are mounting a Built-In SpeedCook Oven over another, use the dimensions shown. The middle rail separating the two openings may need to be larger than the 2" minimum shown.

## PREPARE THE OPENING (cont.)

### Installation under a Microwave Oven and over a Warming Drawer:



**NOTE:** Additional clearances between the cutouts may be required. Check to be sure the oven supports above the Warming Drawer location do not obstruct the required interior depth and height. See Warming Drawer installation instructions for details.

### ⚠ CAUTION

For personal safety, the mounting surface must be capable of supporting the cabinet load, in addition to the added weight of the oven and drawer, plus additional oven loads.

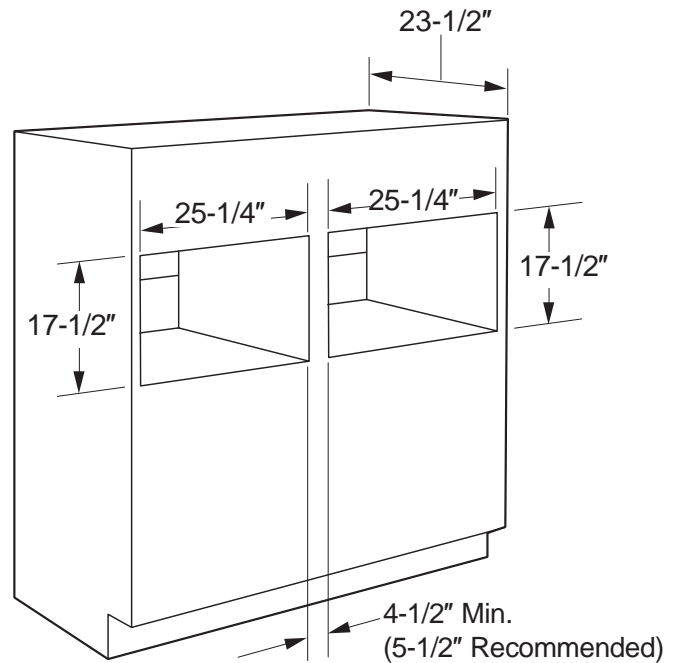
# Standard Installation Preparation

**IMPORTANT:** Always maintain 36-3/4" minimum height from the floor to the cutout in any single or combined installation unless plastic trim is installed.

## PREPARE THE OPENING (cont.)

### Installation beside another Built-in Speedcook Oven:

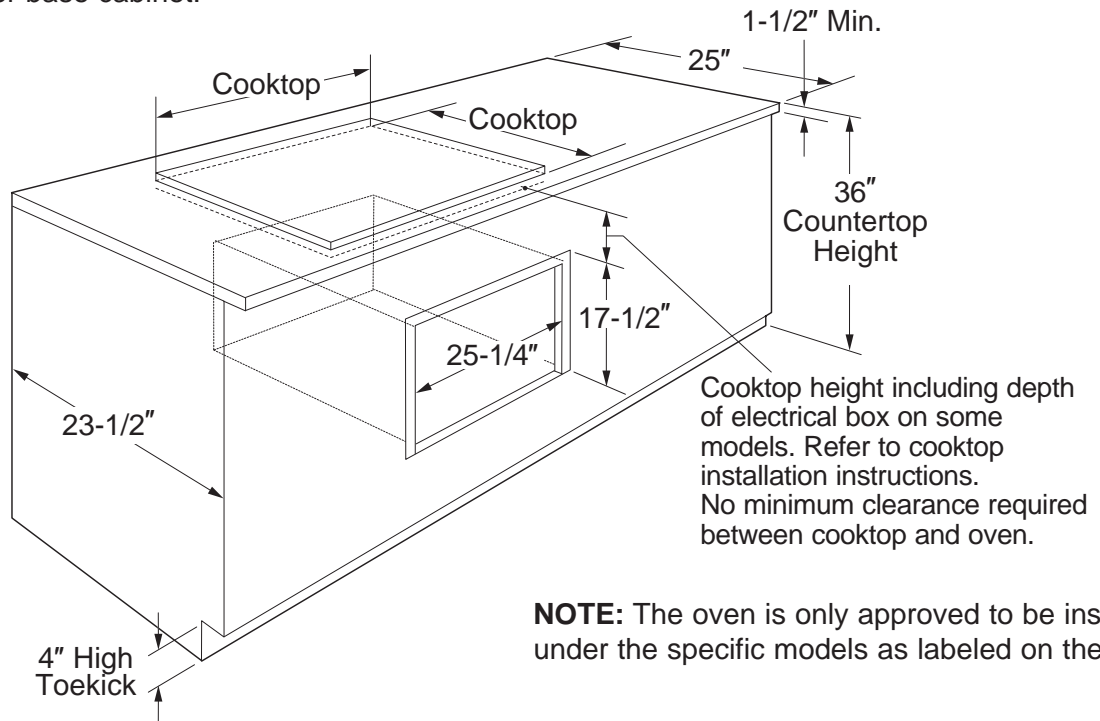
- If you are mounting a SpeedCook Oven beside another, use the dimensions shown. The middle rail separating the two openings may need to be larger than the 4-1/2" minimum shown.



## PREPARE THE OPENING (cont.)

### Installation under a 30" or 36" Cooktop or Countertop:

Gas or electric cooktops may be installed over this oven. See cooktop installation instructions for the cutout size. See the label on top of the oven for approved cooktop models. This oven requires a separate, properly grounded 15-Amp, 120-Volt, 60Hz power supply. The cooktop requires a separate power supply. Use a 36" or wider base cabinet.



**NOTE:** The oven is only approved to be installed under the specific models as labeled on the unit.



# Flush Mount Installation Preparation (Monogram Only)

**IMPORTANT:** Always maintain 36-3/4" minimum height from the floor to the cutout in any single or combined installation unless plastic trim is installed.

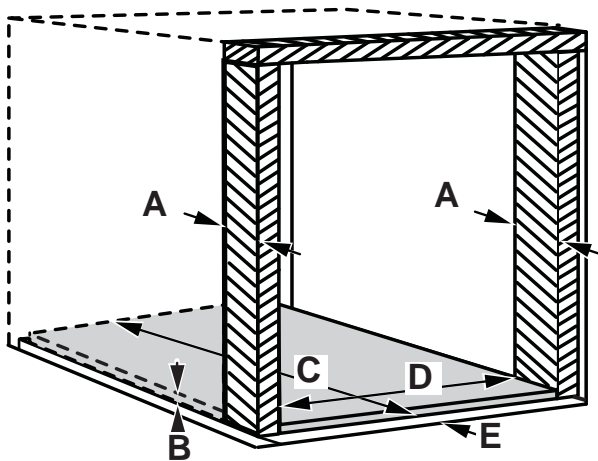
## PREPARE THE INTERIOR

### Cut and install side cleats:

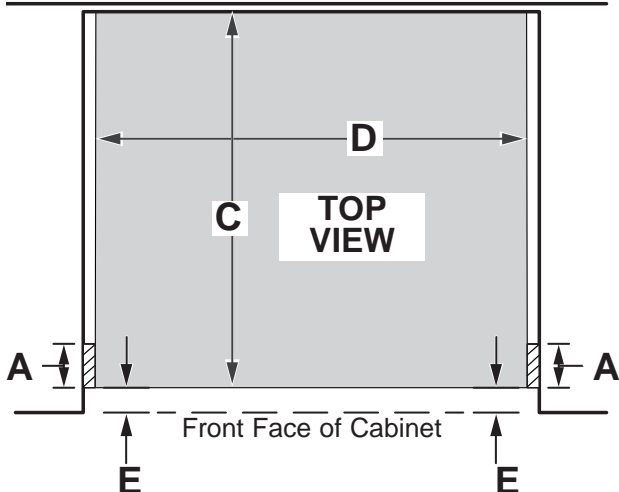
- Cut side wood cleats to height of cabinet opening and approx. 2-1/2" in depth. Install, on each side, Dim. E from the front face of the cabinet.

### Cut and install bottom cleat:

- Cut bottom wood cleat to a height of 1-1/8", a depth of the cabinet **minus** Dim. E and a width of 25-1/4" to fit between side cleats. Install onto the cabinet floor between the side cleats, push it all the way back against cabinet wall and make sure its front face aligns with the front faces of the side cleats (Dim. E gap from the front cabinet face).



A	Side and top cleats depth	2-1/2" min.
B	Bottom cleat height	1-1/8"
C	Bottom cleat depth	Cabinet depth minus Dim. E"
D	Bottom cleat width	25-1/4"
E	All four cleats inset depth	1 3/16"

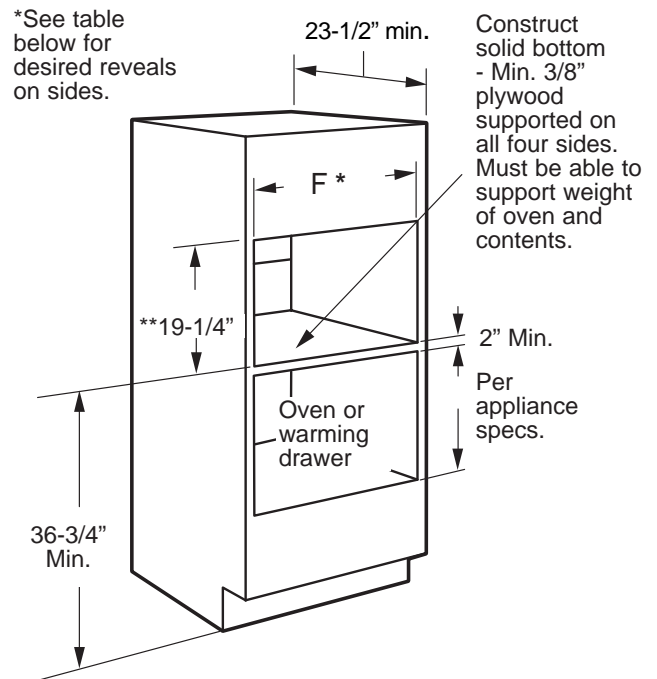


## PREPARE THE OPENING

The Advantium 120 can be installed in combination with other Built-In appliances. Always follow each product's Installation Instructions to complete the installation.

### Single Advantium 120 Installation:

Cut the opening in a cabinet to the dimensions shown.



- The support must be level and rigidly mounted, flush with the bottom edge of the cutout.

Approved Flush Installation	Dimension F	
	1/8" Reveal	1/4" Reveal
Single Advantium	30"	30-1/4"
Over Warming Drawer	30"	30-1/4"
Over Oven	30"	30-1/4"
Over Oven and Warming Drawer	30"	30-1/4"
Over Built-in Speedcook Oven	30"	30-1/4"
Double Advantium (side by side)	See page 10	
Under Cooktop or Countertop	See page 10	

\*\* Top and bottom reveals are set to 1/8".

# Flush Mount Installation Preparation (Monogram Only)

**IMPORTANT:** Always maintain 36-3/4" minimum height from the floor to the cutout in any single or combined installation unless plastic trim is installed.

## PREPARE THE OPENING

The Advantium/Convection 120 can be installed beside another Advantium/Convection 120 in a side-by-side combination.

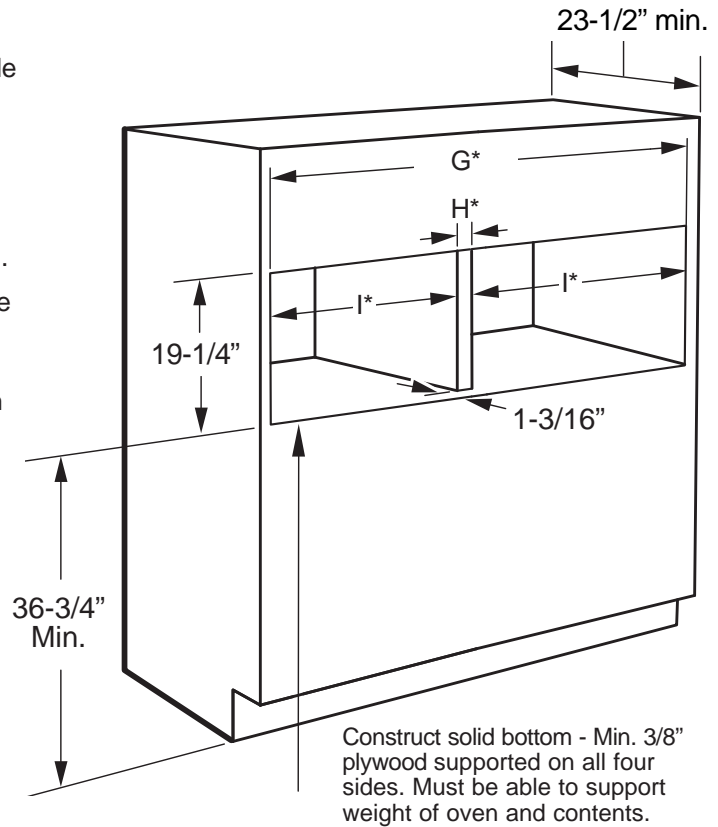
### Double Advantium/Convection 120 Installation:

Cut the opening in a cabinet to the dimensions shown.

- Center divider acts as cleat for side of each respective unit. Only one additional side cleat needed per oven cutout.
- The support must be level and rigidly mounted, flush with the bottom edge of the cutout.

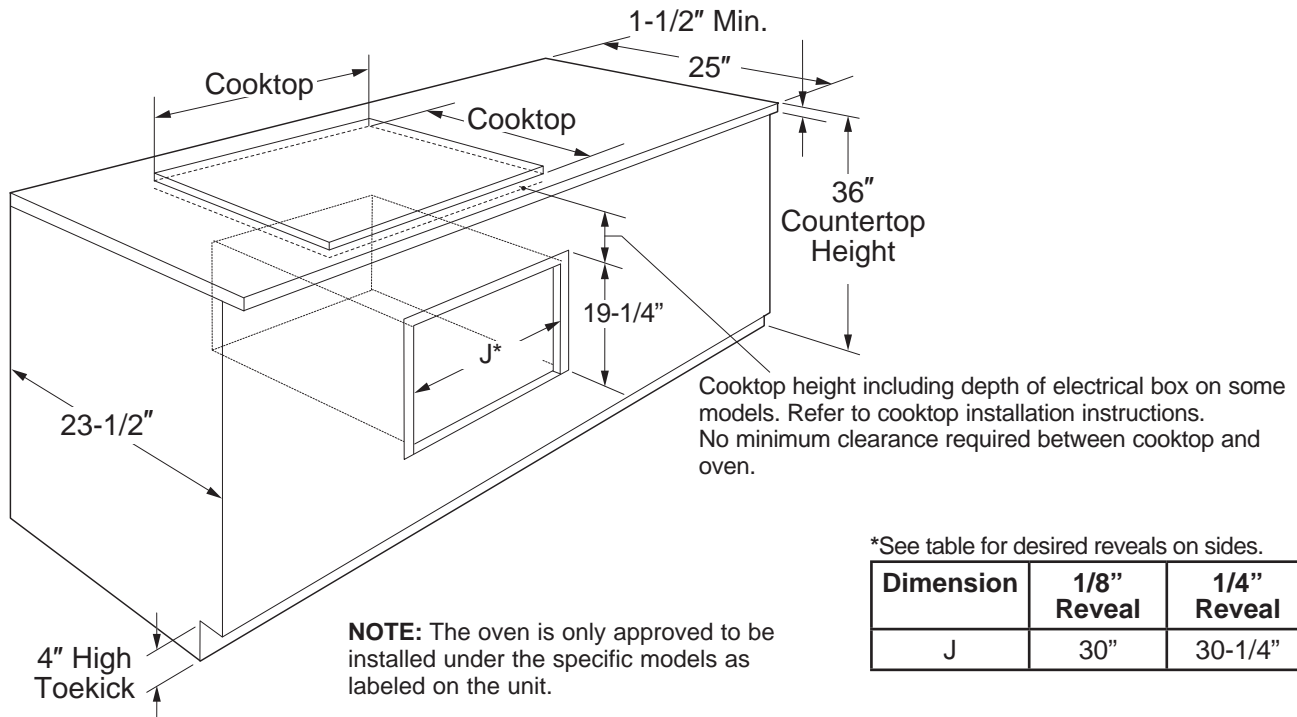
\*See table for desired reveals on sides and between unit.

Dimension	1/8" Reveal	1/4" Reveal
G	59-7/8"	60-1/4"
H	5-1/8"	5-1/4"
I	27-3/8"	27-1/2"



### Installation under a 30" or 36" Cooktop or Countertop:

Gas or electric cooktops may be installed over this oven. See cooktop installation instructions for the cutout size. See the label on top of the oven for approved cooktop models. This oven requires a separate from the cooktop, properly grounded 15-Amp, 120-Volt, 60Hz power supply. Use a 36" or wider base cabinet.



\*See table for desired reveals on sides.

Dimension	1/8" Reveal	1/4" Reveal
J	30"	30-1/4"

# Installation Preparation

## Preparation WITH an Accessory Storage Drawer

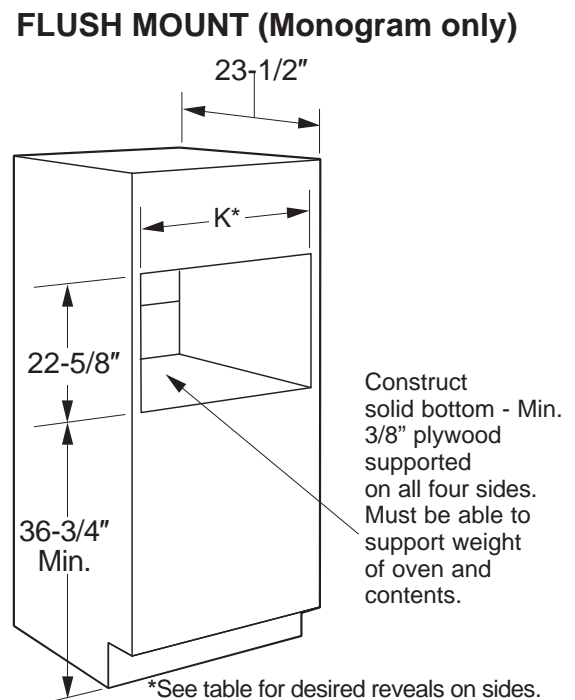
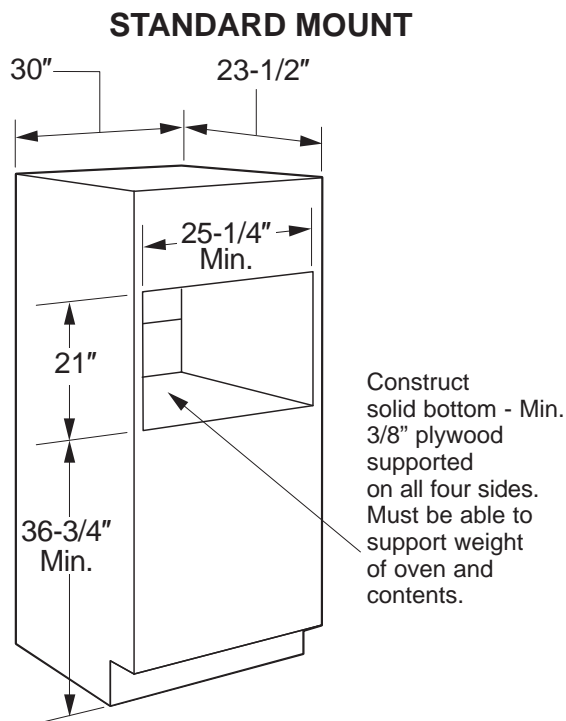
- PSB9120 and PWB7030 are the only approved models to be installed under 36-3/4" height with a storage drawer. CSB9120, ZSC1201, ZSC1202 and CWB7030 are not approved.
- As needed, see the Standard Mount Installation Preparation OR Flush Mount Installation Preparation for configuration details. Note the modified cutout height below.
- Model ZSC1202 cannot be installed with an accessory storage drawer. See installation preparation without an accessory storage drawer for this model.

### PREPARE THE OPENING (cont.)

The Advantium/Convection 120V can be installed in combination with other Built-In appliances. Always follow each product's Installation Instructions to complete the installation.

#### Single Advantium/Convection 120V Installation:

Order a 30" wide single oven cabinet or cut the opening in a wall to the dimensions shown.



Dimension	1/8" Reveal	1/4" Reveal
K	30"	30-1/4"

- For flush installation, make the bottom cleat height 3/4" when installed over a storage drawer.
- Allow the following clearances around the cutout on the front surface of the cabinet: 5/8" from the top, 2-3/8" from the side edges, and 3/4" from the bottom. (Note: these refer to minimum clearances required for installation and do not reflect actual product dimensions.)
- Oven overlaps will conceal cut edges on all sides of the opening.
- When installed over a single oven or a warming drawer, allow at least 2" between the two openings. This separation will provide clearance for bottom overlap of the Advantium/Convection 120V and the other appliance overlaps.
- The support must be level and rigidly mounted, flush with the bottom edge of the cutout.

# Installation Instructions

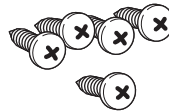
## 1 REMOVE THE PACKAGING AND PARTS

- Remove all packing material and tape.
- Locate parts package containing mounting screws.
- Remove the oven from the carton. Do not lift unit by handle or conduit. Two people are required to lift this oven.
- Open the door and remove any packaging in oven.

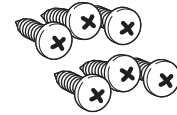


4 Color-Matched Flat-Head Screws for the Plastic Door Trim (3 required, 1 extra)

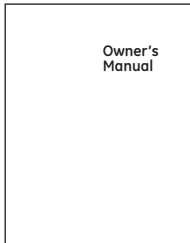
\*Some models already have the trim and screws on the door



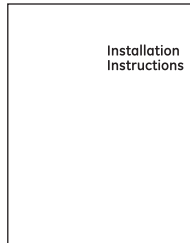
5 Color-Matched Screws (4 required, 1 extra)



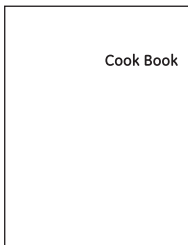
6 Brass Screws for the Bottom Trim (3 required, 3 extra)



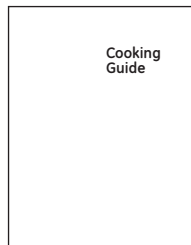
Owner's Manual



Installation Instructions



Cook Book\*



Cooking Guide\*



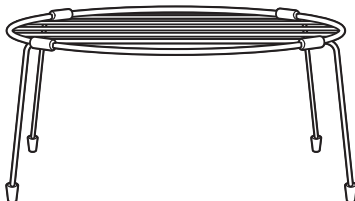
Glass Tray



Turntable Ring



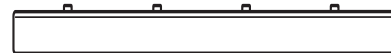
Metal Trays (2)\*



Rack



Plastic Door Trim



Bottom Trim - Metal #1



Bottom Trim - Metal #2



Bottom Trim - Plastic

	Profile	Cafe	Monogram
Plastic Door Trim	X	X	X
Bottom Trim - Metal #1	X	X	-
Bottom Trim - Metal #2	-	-	X
Bottom Trim - Plastic	X	X	X

### CAUTION

If installing the Advantium/ Convection 120V Oven below 36", you must use the **plastic** bottom trim due to burn risk to children. The plastic trim acts as insulation and will help prevent burns to children from hot surfaces.

**IMPORTANT:** If installing the Advantium/ Convection 120V Oven with an accessory storage drawer, read the storage drawer assembly instructions to assemble the products together before proceeding to Step 2.

\*Not included with Models CWB7030, PWB7030, and CWB713

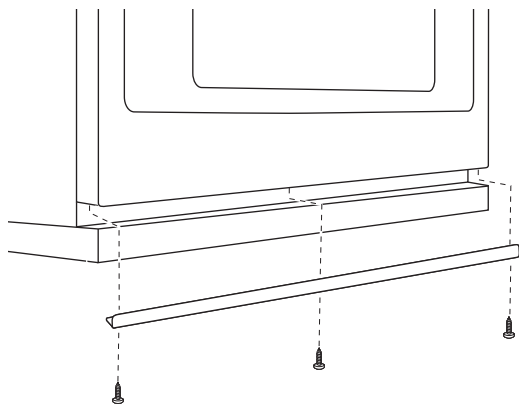
# Installation Instructions

## 2 DOOR TRIM REMOVAL FOR ABOVE 36" INSTALLATION ONLY

If installing the Advantium/Convection 120V Oven above 36" from the floor, you may remove the plastic trim from the bottom of the door for esthetic purposes if desired.

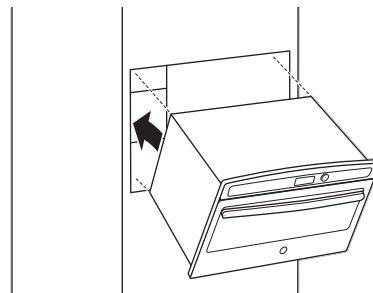
**⚠ CAUTION** If installing the Advantium/Convection 120V Oven below 36", do not remove the plastic door trim due to burn risk to children. The plastic trim acts as insulation and will help prevent burns to children from hot surfaces.

- If installing above 36", remove the 3 screws that secure the plastic trim to the bottom of the door.
- Discard plastic trim. Replace screws.



## 3 SLIDE THE OVEN INTO THE CUTOUT

**⚠ CAUTION** Two people are required to lift the oven into the opening. Grasp the bottom at front and rear. DO NOT USE THE HANDLE TO LIFT THE OVEN. DAMAGE WILL OCCUR.



- Lift and hold the oven at the front of the opening. Hold the oven at an angle and plug in the power cord.
- Carefully, slide the oven into the cabinet part way. Leave the oven a few inches forward of the cabinet frame.
- Check to be sure the power cord is not trapped under the oven or along the sides of the oven.

# Installation Instructions

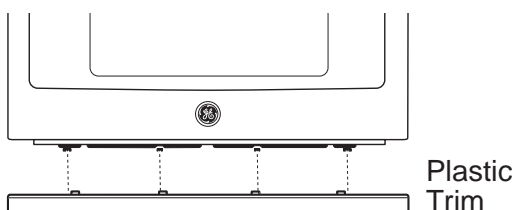
## 4 INSTALL BOTTOM TRIM

### ⚠ CAUTION

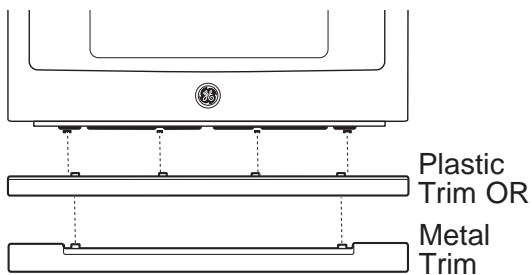
If installing the Advantium/Convection 120V Oven below 36", you must use the **plastic** bottom trim due to burn risk to children. The plastic trim acts as insulation and will help prevent burns to children from hot surfaces.

**NOTE:** If installing the Advantium/Convection 120V Oven with an accessory storage drawer, the bottom trim is not required. Proceed to Step 5.

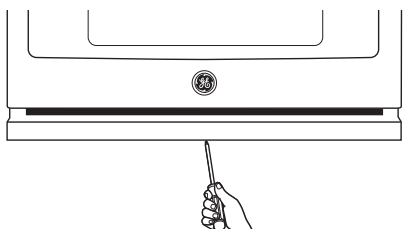
- **Installation Below 36"**, align trim tabs on the plastic trim to slots in the bottom of the oven.



- **Installation Above 36"**, align trim tabs on the plastic or metal trim to slots in the bottom of the oven.



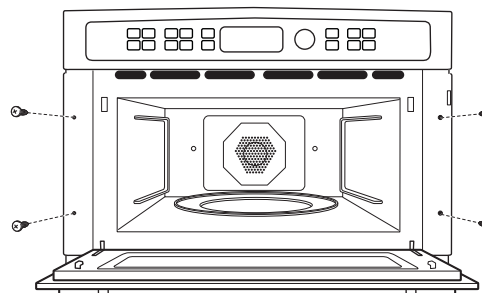
- Secure the bottom trim to the bottom of the oven using 3 screws provided.



## 5 INSTALL BOTTOM TRIM WITH ACCESSORY DRAWER

If installing with an accessory drawer, see installation instructions that come with the accessory drawer.

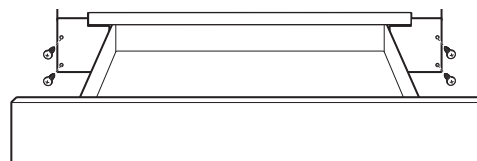
## 6 INSTALL MOUNTING SCREWS



- Slide the oven the remaining way into the opening so that the side flanges and control panel are against the cabinet frame. Make sure that the oven is centered in the opening.
- Open the door, place a turntable tray in the oven and make sure that the tray in the unit is level.
- Drill pilot holes through the side flanges.
- Drive the color-matched screws into the side flanges. It is recommended that the screws be hand tightened.

### If installing oven with an accessory storage drawer:

- Open the drawer.
- Drill pilot holes through the side flanges.
- Drive color-matched screws into the side flanges. It is recommended that the screws be hand tightened.



**NOTE:** If installing the Profile Advantium/Convection 120V Oven with an accessory storage drawer, you must use the Under-the-Counter (UTC) mounting bracket for the drawer.

If installing the Monogram Advantium/Convection integrated model ZSC1201 above 36", the UTC mounting bracket for the accessory storage drawer must be used.

## 7 FINALIZE INSTALLATION

- Turn power on at the source. The interior light should come on when the door is opened.
- Refer to Owner's Manual for operating instructions.

# Notes

---

**NOTE:** While performing installations described in this book, safety glasses or goggles should be worn.

**NOTE:** Product improvement is a continuing endeavor at GE Appliances. Therefore, materials, appearance and specifications are subject to change without notice.

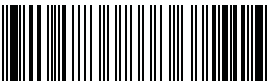




# Instrucciones de Instalación

**Hornos con Velocidad  
de Cocción/Convección  
Incorporada de 120V de  
Advantium®**

CSB9120  
PSB9120  
ZSC1201  
ZSC1202  
CWB7030  
PWB7030  
CWB713



MFL59060930\_00

**31-2000001-6**

07-20 GEA

GE es una marca de la Empresa General Electric. Fabricado bajo licencia de la marca registrada.

# Información sobre Seguridad

## ANTES DE COMENZAR

Lea estas instrucciones en su totalidad y atentamente.

**IMPORTANTE** — Conserve estas instrucciones para uso del inspector local.

**IMPORTANTE** — Cumpla con todos los códigos y ordenanzas gubernamentales.

- **Nota para el Instalador** — Asegúrese de que el Comprador conserve estas instrucciones.
- **Nota para el Consumidor** — Guarde estas instrucciones con su Manual del Propietario para referencia futura.
- **Nivel de habilidad** — La instalación de este electrodoméstico requiere un nivel básico de habilidades mecánicas y eléctricas.
- **Tiempo de Compleción — 1 Hora.**
- Es responsabilidad del instalador realizar una instalación adecuada. Si se producen fallas en el producto debido a una instalación inadecuada, la garantía no cubrirá las mismas. Para obtener información sobre la garantía, consulte el Manual del Propietario.

**NOTA:** Sólo se aprueba la instalación de este horno de acuerdo con los modelos específicos que aparecen etiquetados en esta unidad.

**IMPORTANTE** — Use este electrodoméstico sólo para su propósito original. Nunca use el electrodoméstico para calentar o calefaccionar una habitación. El uso prolongado del horno sin una ventilación adecuada puede ser riesgoso.

Para su seguridad personal, retire el fusible del hogar o el disyuntor abierto antes de comenzar la instalación, a fin de evitar lesiones graves o una descarga mortal.

**▲PRECAUCIÓN** Para su seguridad personal, la superficie de instalación deberá poder soportar la carga del gabinete, además del peso agregado del horno y el cajón, sumado esto a las cargas adicionales del horno.

**▲PRECAUCIÓN** Si instalará el Horno Advantium/ Convección120V por debajo de 36", deberá usar la moldura inferior de plástico debido a riesgos de quemaduras de los niños. La moldura de plástico actúa como aislante y ayudará a evitar que los niños sufran quemaduras sobre las superficies calientes.

## CONTENIDOS

### Información de Diseños

Modelos Disponibles .....	2
Dimensiones y Espacios de Despeje del Producto ..	3
Herramientas Necesarias.....	3
Piezas Suministradas.....	3
Planificación Anticipada .....	3

### Preparación de la Instalación

Requisitos Eléctricos .....	4
Preparación de la Abertura (Estándar) .....	5-8
Preparación de la Abertura (Montaje al Ras) .....	9-10

### Preparación del Cajón de Almacenamiento

Estándar .....	11
Al ras .....	11

### Instrucciones de Instalación

Paso 1, Retire el Embalaje y las Piezas.....	12
Paso 2, Retiro de la Moldura de la Puerta sólo en instalaciones superiores a 36" .....	13
Paso 3, Deslice el Horno por la Abertura .....	13
Paso 4, Instale la Moldura Inferior .....	14
Paso 5, Instale la Moldura Inferior con el Cajón de Accesorios.....	14
Paso 6, Instale los Tornillos de Montaje.....	14
Paso 7, Finalice la Instalación .....	14

## MODELOS DISPONIBLES

### Modelo Profile:

PSB9120WW—Blanco\*  
PSB9120BB—Negro  
PSB9120SS—Acero Inoxidable  
PSB9120ES—Teja  
PWB7030SL—Acero Inoxidable  
PWB7030EL—Teja  
PSB9120BL- Acero Inoxidable Negro

### Modelos de Monogram:

ZSC1201SS—Acero Inoxidable  
ZSC1202SS—Acero Inoxidable\*\*

### Modelos de Café:

CSB9120SS—Acero Inoxidable  
CWB7030SL—Acero Inoxidable  
CWB713P2NS1 – Acero Inoxidable

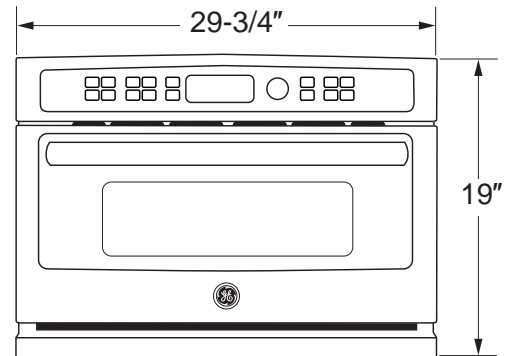
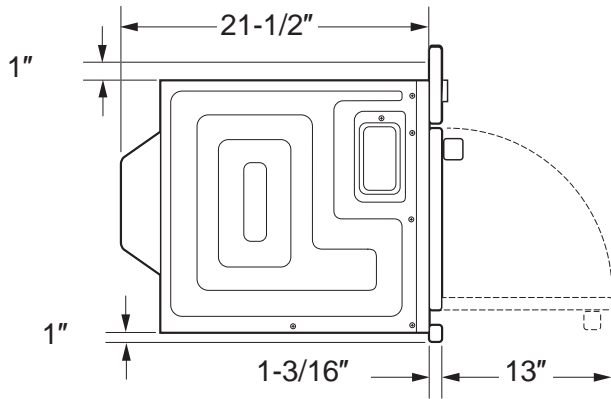
**\*Este modelo no cuenta con cajones disponibles del mismo color.**

**\*\*Esta unidad no puede instalarse con un cajón de almacenamiento de accesorios.**

# Información de Diseños

## DIMENSIONES Y ESPACIOS DE DESPEJE DEL PRODUCTO

NOTA: El aspecto variará dependiendo del modelo.



## HERRAMIENTAS Y PIEZAS REQUERIDAS (NO SUMINISTRADAS)

- Destornillador Phillips nº 2
- Perforadora manual
- Taladro de alta velocidad, diámetro de 3/32"
- Destornillador con punta Phillips de 3/8"
- Nivel
- Sierra
- Contrachapado para piso de un mín. de 3/8" (si se requiere)
- Tornillos de madera y otras herramientas para instalar el riel o el estante para sostener el horno (si se requiere)
- Anteojos o gafas de seguridad

## INSTALACIÓN DEL MONTAJE AL RAS (Monogram únicamente)

Este método de instalación permite que la cara de la unidad quede alineada con la cara del gabinete.

**IMPORTANTE: SE REQUIERE UN NIVEL DE HABILIDAD ALTO EN CARPINTERÍA. Se podrán adquirir gabinetes no estándares.**

La instalación al ras del horno hará que se expongan los extremos del marco de la cara del gabinete.

Los ristreles laterales podrán quedar visibles y deberán poseer una superficie acabada.

## PLANIFICACIÓN ANTICIPADA

- Estos hornos pueden ser instalados directamente en un gabinete para horno de 30" de ancho, utilizando la instalación estándar.
- Las dimensiones de altura de la abertura son diferentes para las instalaciones con un cajón de almacenamiento de accesorios. Asegúrese de usar el recorte correcto al preparar la abertura.
- Deje espacio en relación a las esquinas adyacentes, paredes, cajones, etc.
- Las alacenas instaladas al lado de hornos de pared deben tener una especificación de adhesión de potencia de temperatura de por lo menos 194°F.

El horno debe ser instalado de forma segura en un gabinete que esté adherido de manera firme a la estructura de la casa. Cualquier peso sobre la puerta del horno podrá hacer que éste se incline y se produzcan lesiones. Nunca permita que nadie se trepe, siente, pare ni cuelgue de la puerta del horno. Si instalará el accesorio para cajones, el cajón deberá ser ensamblado al horno antes de la instalación en el gabinete. Consulte las **Instrucciones de Ensamble del Cajón de Almacenamiento de Accesorios**.

# Preparación de la Instalación

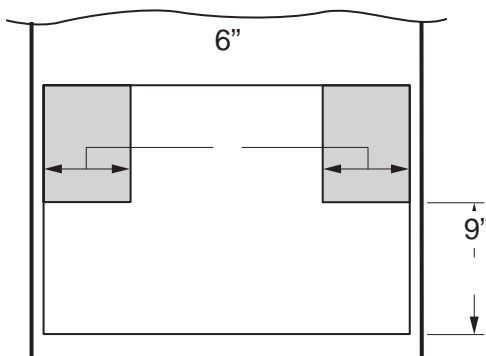
## REQUISITOS ELÉCTRICOS

### Instalación Simple del Advantium/ Convección 120:

Este producto requiere un circuito de 120 voltios, 60 Hz, 15 amperes y consume 1.8 kilowatts. Este producto se debe conectar a un circuito con un suministro correcto de voltaje y frecuencia.

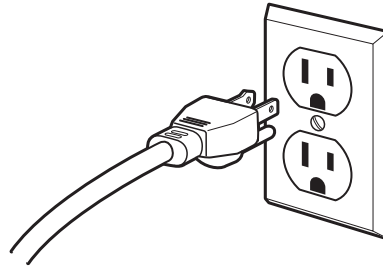
- El tamaño del cable deberá ser conforme a los requisitos del Código Eléctrico Nacional o del código local obligatorio con relación a la cantidad de kilowatts.
- El cable y el enchufe de suministro de corriente se deberán conectar al tomacorriente simple con conexión a tierra de un disyuntor de entre 15 y 20 amperes. La caja del tomacorriente deberá ser ubicada dentro del alcance del cable de corriente de 48".

## UBICACIÓN ELÉCTRICA



Ubique la caja del tomacorriente en el área sombreada.

Instale un tomacorriente eléctrico empotrado en la pared trasera de la abertura, dentro de las 6" de cualquiera de los lados y a por los menos 9" sobre el piso del recorte.



## INSTRUCCIONES DE CONEXIÓN A TIERRA

Este electrodoméstico deberá estar conectado a tierra. En caso de que se produzca un cortocircuito, la conexión a tierra reduce el riesgo de descarga eléctrica, brindando un cable de escape de la corriente eléctrica. Este electrodoméstico está equipado con un cable de corriente que posee un cable de conexión a tierra con un enchufe a tierra. El enchufe se deberá colocar en un tomacorriente instalado y conectado a tierra de forma adecuada.

**⚠ADVERTENCIA** El uso inadecuado del enchufe de conexión a tierra puede provocar riesgos de descargas eléctricas.

**IMPORTANTE: (Se solicita leer detenidamente).** El cable de corriente de este electrodoméstico cuenta con un enchufe de 3 clavijas (con cable a tierra) que se conecta a un tomacorriente de pared estándar de 3 clavijas para minimizar la posibilidad de descargas eléctricas. Consulte a un electricista calificado o al personal del servicio técnico en caso de que las instrucciones de conexión a tierra no se entiendan completamente, o si tiene dudas sobre si el electrodoméstico está conectado a tierra de forma apropiada.

- En caso de contar con un receptáculo de pared de dos clavijas, es la responsabilidad y obligación del cliente reemplazarlo por un tomacorriente de pared de tres clavijas correctamente conectado a tierra.

Nunca, bajo ninguna circunstancia, corte ni elimine el tercer cable (tierra) del cable de corriente.

**NO USE UN PROLONGADOR.** Si el cable de corriente es demasiado corto, solicite a un electricista calificado o al personal del servicio técnico que instale un tomacorriente cerca del electrodoméstico.

# Preparación de la Instalación Estándar

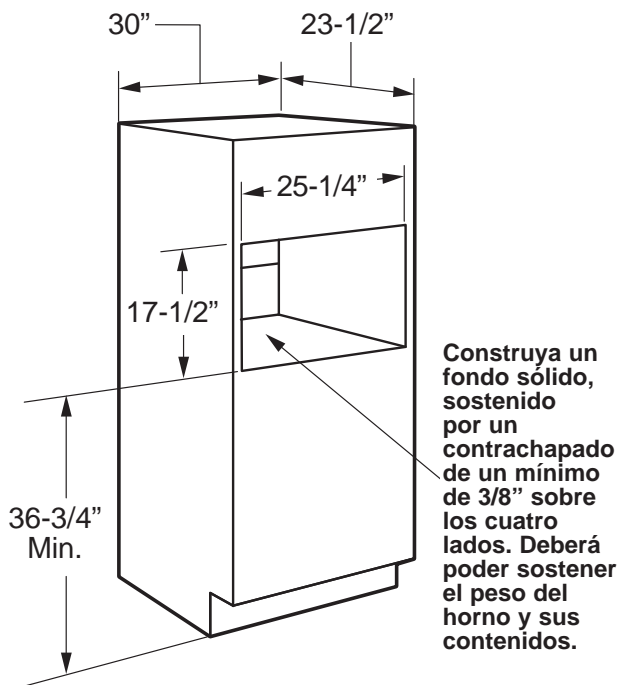
**IMPORTANTE:** Siempre deje una altura mínima de 36 ¾" desde el piso hasta el recorte en cualquier instalación, ya sea simple o combinada, a menos que se instale una moldura de plástico.

## PREPARACIÓN DE LA ABERTURA

El Advantium 120 se podrá instalar junto con otros electrodomésticos empotrables. Siempre siga las instrucciones de instalación de cada producto, a fin de completar la instalación.

### Instalación Simple del Advantium/Convección 120

Ordene un gabinete de horno simple de 30" de ancho o recorte la abertura en una pared siguiendo las dimensiones mostradas.

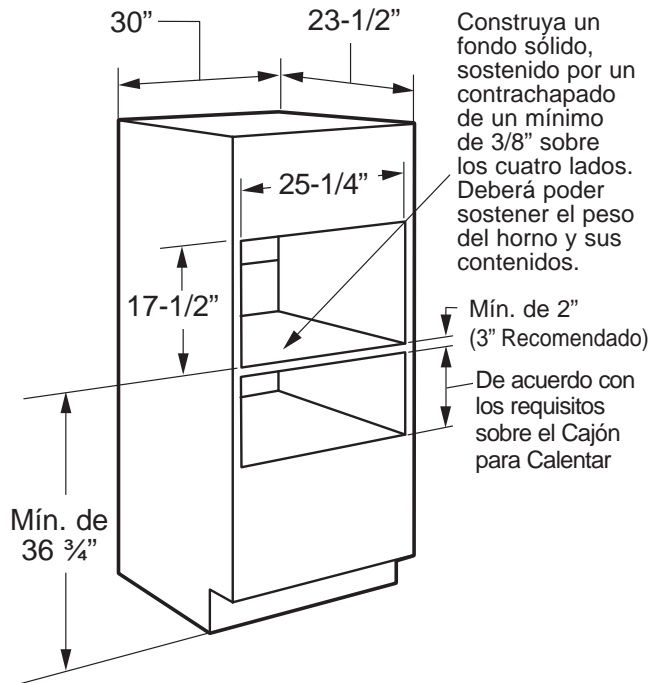


- Deje los siguientes espacios libres alrededor de la abertura sobre la superficie frontal del gabinete: 5/8" desde la parte superior, 2-3/8" desde los extremos laterales, y 1 1/8" desde la parte inferior. (Nota: los mismos se refieren a los espacios libres mínimos requeridos para la instalación y no reflejan las dimensiones reales del producto).
- Las superposiciones del horno ocultarán los extremos cortantes sobre todos los costados de la abertura. Cuando se instale sobre un horno simple o sobre un cajón para calentar, deje por lo menos 2" entre las dos aberturas. Esta separación brindará espacio entre la superposición inferior del Advantium/Convección 120 y las superposiciones de los demás electrodomésticos.
- El soporte debe estar nivelado y montado de forma rígida, al ras con el extremo inferior de la abertura.

## PREPARACIÓN DE LA ABERTURA

(CONT.)

### Instalación sobre un Cajón para Calentar:



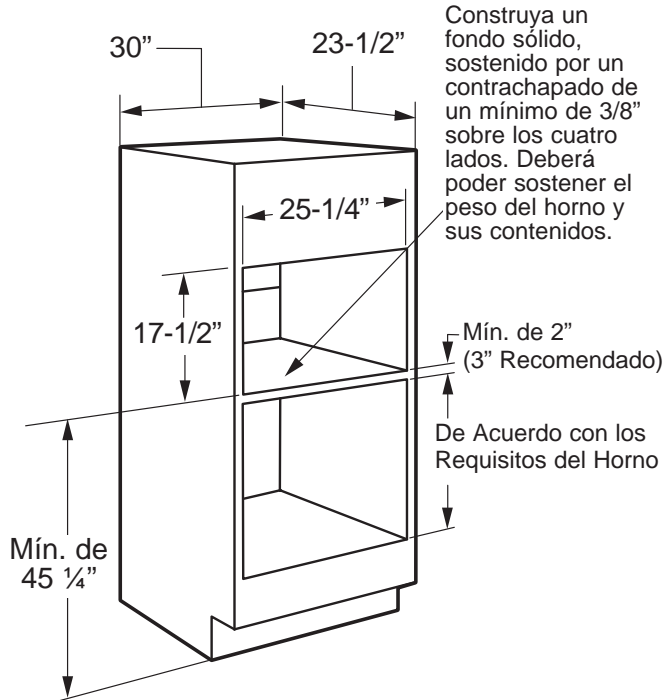
**NOTA:** Se podrán requerir despejes adicionales entre los recortes. Asegúrese de que los soportes del horno sobre la ubicación del Cajón para Calentar no obstruyan la profundidad y altura internas requeridas. Para más detalles, consulte las instrucciones de instalación del Cajón para Calentar.

# Preparación para la Instalación Estándar

**IMPORTANTE:** Siempre deje una altura mínima de 36 ¾" desde el piso hasta el recorte en cualquier instalación, ya sea simple o combinada, a menos que se instale una moldura de plástico.

## PREPARACIÓN DE LA ABERTURA (CONT.)

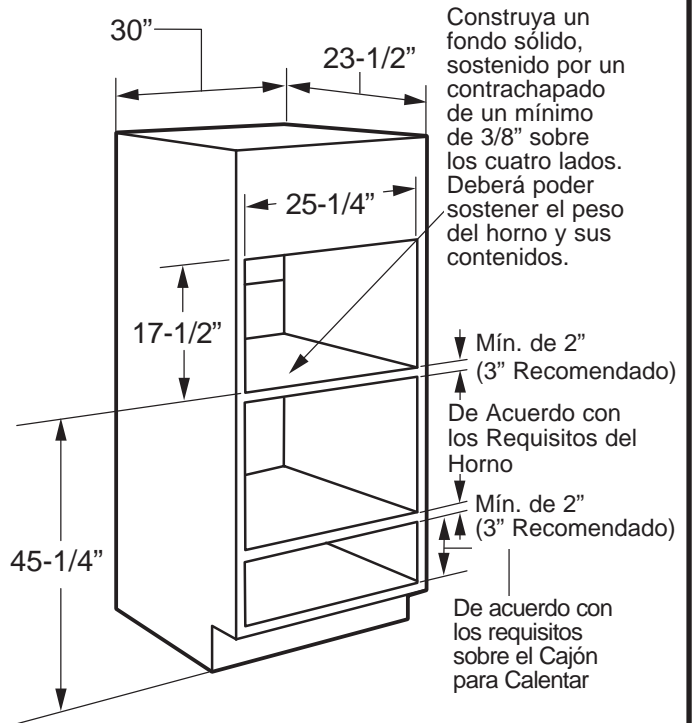
### Instalación sobre un Horno de Pared:



\* Si reemplazará un horno eléctrico doble por la instalación combinada de un Advantium 120 y un horno simple, utilice las dimensiones mostradas. Es posible que el riel intermedio que separa las dos aberturas deba ser más largo que el de un mínimo de 2" mostrado.

## PREPARACIÓN DE LA ABERTURA (CONT.)

### Instalación sobre un Horno de Pared y un Cajón de Pared:



**NOTA:** Se podrán requerir despejes adicionales entre los recortes. Asegúrese de que los soportes del horno sobre la ubicación del Cajón para Calentar no obstruyan la profundidad y altura internas requeridas. Para más detalles, consulte las instrucciones de instalación del Cajón para Calentar.

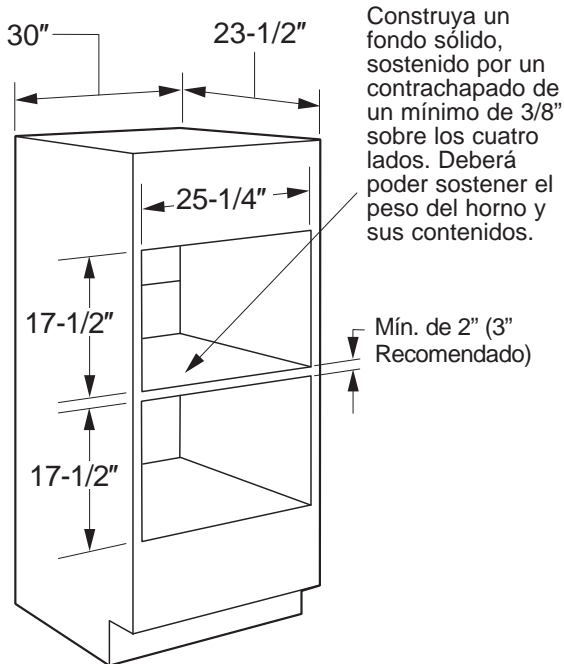
**▲PRECAUCIÓN** Para su seguridad personal, la superficie de instalación deberá poder soportar la carga del gabinete, además del peso agregado del horno y el cajón, sumado esto a las cargas adicionales del horno.

# Preparación para la Instalación Estándar

**IMPORTANTE:** Siempre deje una altura mínima de 36 3/4" desde el piso hasta el recorte en cualquier instalación, ya sea simple o combinada, a menos que se instale una moldura de plástico.

## PREPARACIÓN DE LA ABERTURA (cont.)

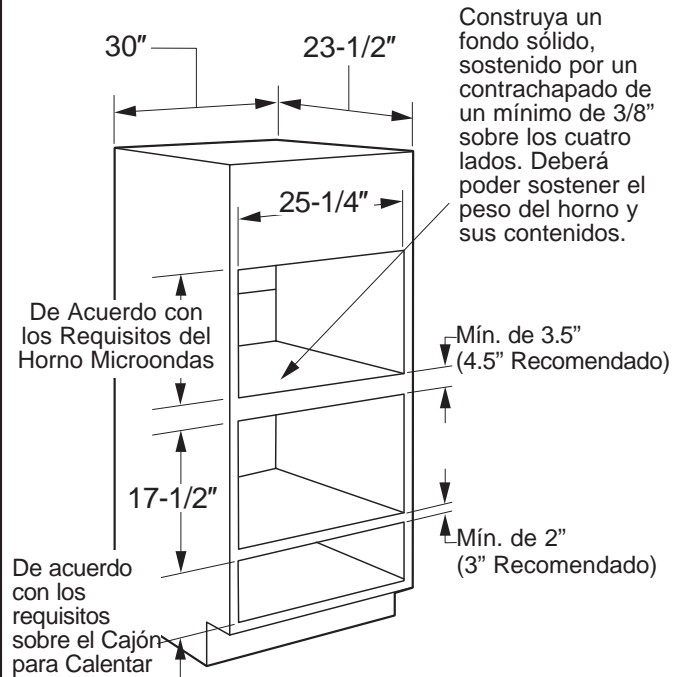
Instalación sobre otro Horno con Velocidad de Cocción Incorporada:



- Si montará un horno de Velocidad de Cocción Incorporado sobre otro, use las dimensiones mostradas. Es posible que el riel intermedio que separa las dos aberturas deba ser más largo que el de un mínimo de 2" mostrado.

## PREPARACIÓN DE LA ABERTURA (cont.)

Instalación debajo de un Horno Microondas y sobre un Cajón para Calentar:



**NOTA:** Se podrán requerir despejes adicionales entre los recortes. Asegúrese de que los soportes del horno sobre la ubicación del Cajón para Calentar no obstruyan la profundidad y altura internas requeridas. Para más detalles, consulte las instrucciones de instalación del Cajón para Calentar.

**⚠ PRECAUCIÓN** Para su seguridad personal, la superficie de instalación deberá poder soportar la carga del gabinete, además del peso agregado del horno y el cajón, sumado esto a las cargas adicionales del horno.



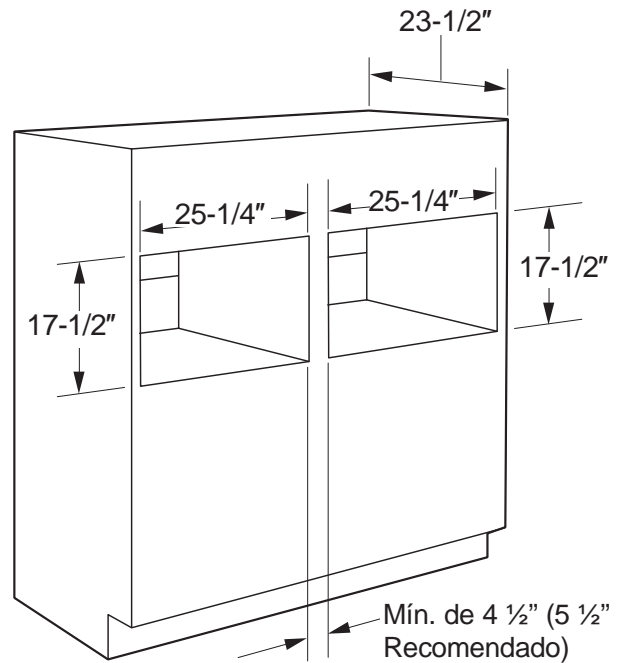
# Preparación para la Instalación Estándar

**IMPORTANTE:** Siempre deje una altura mínima de 36  $\frac{3}{4}$ " desde el piso hasta el recorte en cualquier instalación, ya sea simple o combinada, a menos que se instale una moldura de plástico.

## PREPARACIÓN DE LA ABERTURA (cont.)

### Instalación junto a otro Horno con Velocidad de Cocción Incorporada:

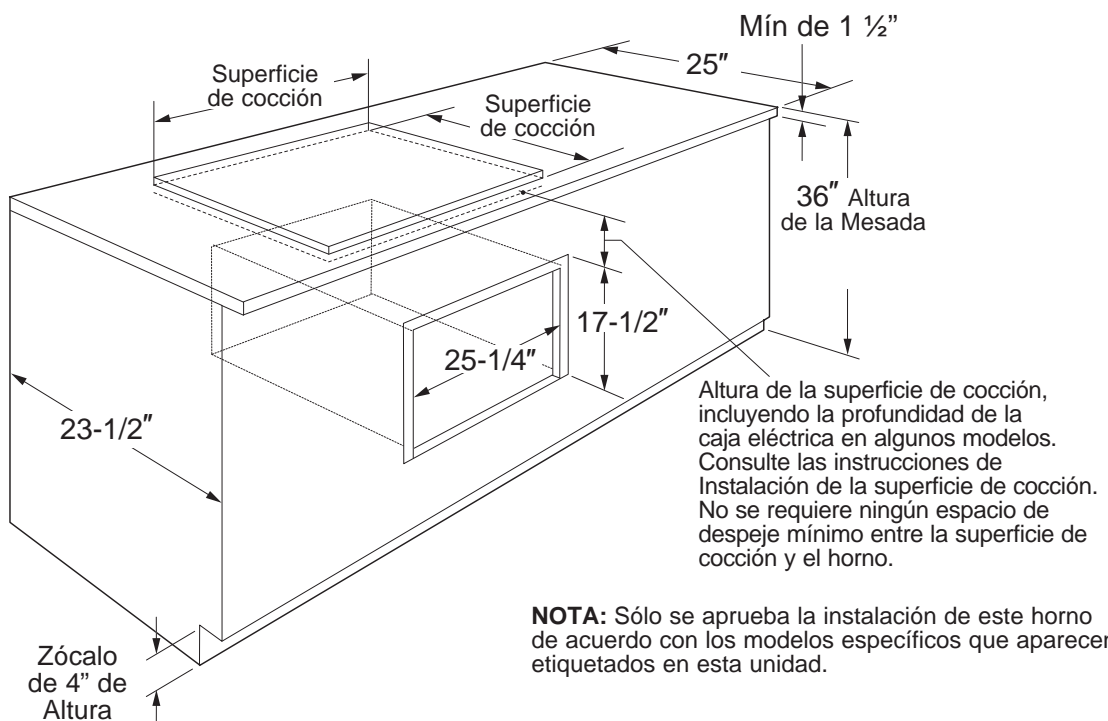
- Si montará un horno de Velocidad de Cocción Incorporado junto a otro, use las dimensiones mostradas. Es posible que el riel intermedio que separa las dos aberturas deba ser más largo que el de un mínimo de 4  $\frac{1}{2}$ " mostrado.



## PREPARACIÓN DE LA ABERTURA (cont.)

### Instalación debajo de una Superficie de Cocción o Mesada de 30" o 36"

Las superficies de cocción a gas o eléctricas podrán ser instaladas sobre este horno. Para conocer el tamaño de la abertura, consulte las instrucciones de instalación de la superficie de cocción. Consulte la etiqueta en la parte superior del horno para conocer los modelos con superficie de cocción aprobados. Este horno requiere un suministro de corriente aparte, adecuadamente conectado a tierra de 15 amperes, 120 voltios y 60 Hz. La superficie de cocción requiere un suministro de corriente aparte. Use un gabinete de 36" o con una base más ancha.



**NOTA:** Sólo se aprueba la instalación de este horno de acuerdo con los modelos específicos que aparecen etiquetados en esta unidad.



# Preparación de la Instalación para el Montaje al Ras (Monogram Únicamente)

**IMPORTANTE:** Siempre deje una altura mínima de 36 3/4" desde el piso hasta el recorte en cualquier instalación, ya sea simple o combinada, a menos que se instale una moldura de plástico.

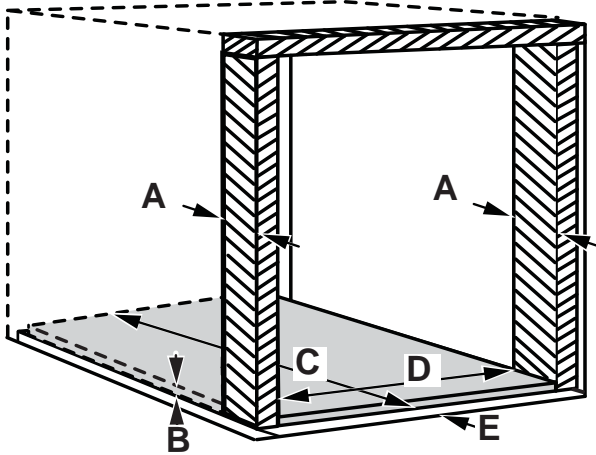
## PREPARE EL INTERIOR

### Corte e instale los ristreles laterales:

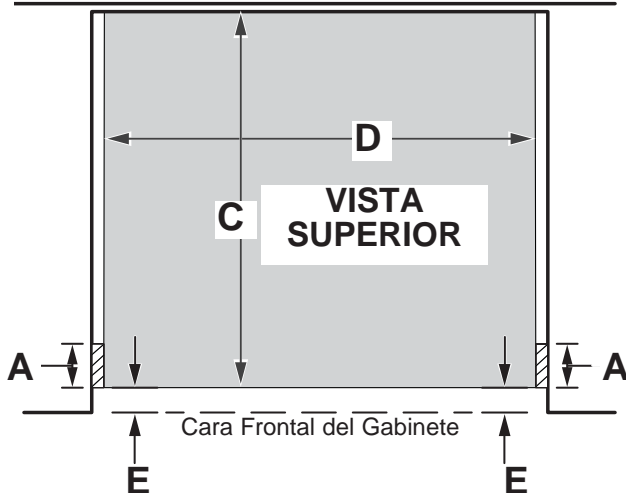
- Corte los ristreles de madera laterales a la altura de la abertura del gabinete y a aproximadamente 2 1/2" de profundidad. Instale, a cada lado, la Dim. E desde la cara frontal del gabinete.

### Corte e instale el ristel inferior:

- Corte el ristel de madera inferior hasta una altura de 1 1/8", una profundidad del gabinete menos la Dim. E y un ancho de 25 1/4" para que encaje entre los ristreles laterales. Realice la instalación sobre el piso del gabinete entre los ristreles laterales, empuje totalmente hacia atrás contra la pared del gabinete y asegúrese de que su cara frontal se alinee con las caras frontales de los ristreles laterales (brecha de la Dim. E desde la cara del gabinete frontal).



A	rofundidad de los ristreles lateral y superior	Mín. de 2 1/2"
B	Altura del ristel inferior	1-1/8"
C	Profundidad del ristel inferior	Profundidad del gabinete menos la Dim. E
D	Ancho del ristel inferior	25-1/4"
E	Profundidad de inserción de los cuatro ristreles	1 3/16"

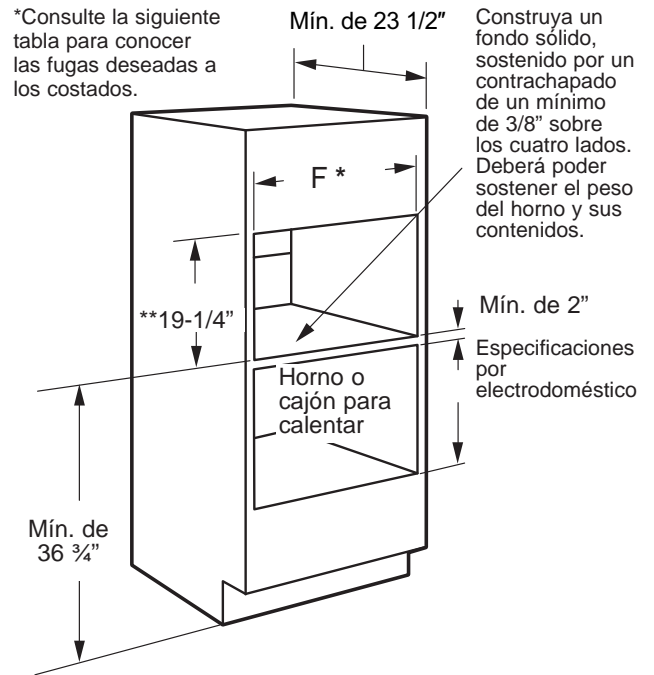


## PREPARACIÓN DE LA ABERTURA

El Advantium puede ser instalado junto con otros electrodomésticos. Siempre siga las instrucciones de instalación de cada producto, a fin de completar la instalación.

### Instalación Simple de Advantium 120

Corte la abertura en un gabinete siguiendo las dimensiones mostradas.



- El soporte debe estar nivelado y montado de forma rígida, al ras con el extremo inferior de la abertura.

Instalación al Ras Aprobada	Dimensión F	
	Fuga de 1/8"	Fuga de 1/4"
Advantium Simple	30"	30-1/4"
Sobre el Cajón para Calentar	30"	30-1/4"
Sobre el Horno	30"	30-1/4"
Sobre el Horno y el Cajón para Calentar	30"	30-1/4"
Sobre el Horno con Velocidad de Cocción Incorporada	30"	30-1/4"
Advantium Doble (lado a lado)	Lea la página 10	
Debajo de la Superficie de Cocción o de la Mesada	Lea la página 10	

\*\* Las fugas superior e inferior están configuradas en 1/8".

# Preparación de la Instalación para el Montaje al Ras (Monogram Únicamente)

**IMPORTANTE:** Siempre deje una altura mínima de 36 3/4" desde el piso hasta el recorte en cualquier instalación, ya sea simple o combinada, a menos que se instale una moldura de plástico.

## PREPARACIÓN DE LA ABERTURA

El Advantium/Convección 120 puede ser instalado junto a otro Advantium/Convección 120 combinando uno al lado del otro.

### Instalación del Advantium/Convección 120

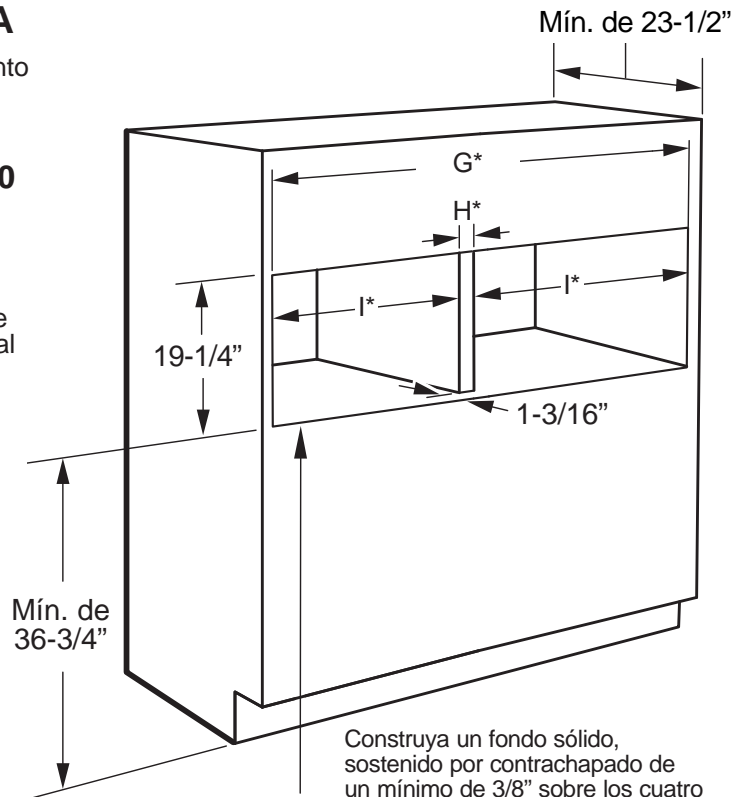
#### Doble:

Corte la abertura en un gabinete siguiendo las dimensiones mostradas.

- El divisor central actúa como un rístel para el lado de cada unidad respectiva. Sólo un rístel lateral adicional es necesario de acuerdo con la abertura del horno.
- El soporte debe estar nivelado y montado de forma rígida, al ras con el extremo inferior de la abertura.

\*Consulte la tabla para conocer las fugas necesarias a los costados y entre la unidad.

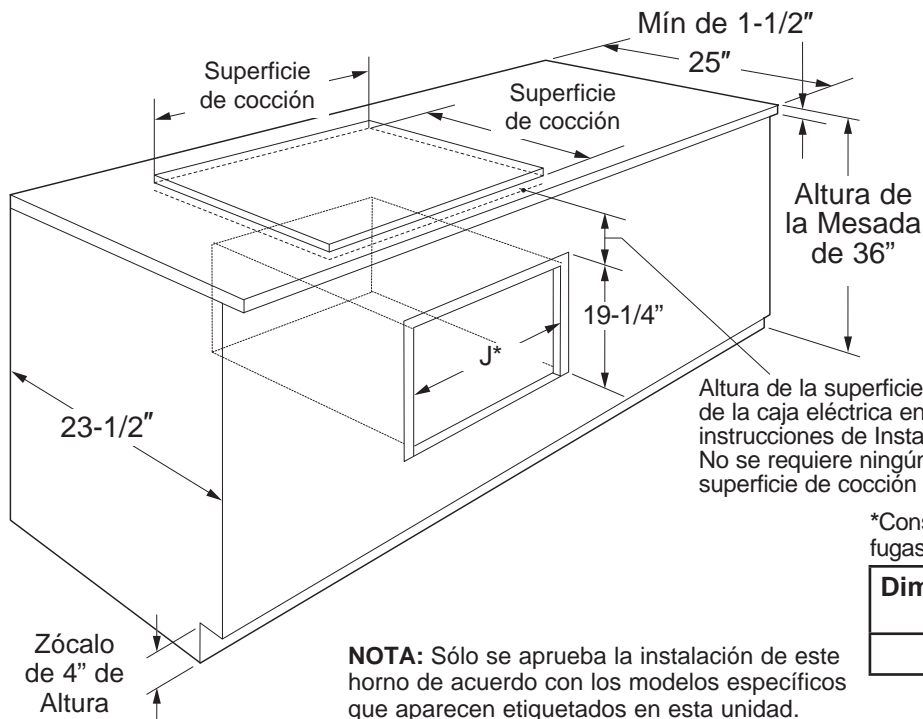
Dimensión	Fuga de 1/8"	Fuga de 1/4"
G	59-7/8"	60-1/4"
H	5-1/8"	5-1/4"
I	27-3/8"	27-1/2"



Construya un fondo sólido, sostenido por contrachapado de un mínimo de 3/8" sobre los cuatro lados. Deberá poder sostener el peso del horno y sus contenidos.

### Instalación debajo de una Superficie de Cocción o Mesada de 30" o 36":

Las superficies de cocción a gas o eléctricas podrán ser instaladas sobre este horno. Para conocer el tamaño de la abertura, consulte las instrucciones de instalación de la superficie de cocción. Consulte la etiqueta en la parte superior del horno para conocer los modelos con superficie de cocción aprobados. Este horno requiere un suministro de corriente aparte, adecuadamente conectado a tierra de 15 amperes, 120 voltios y 60 Hz. Use un gabinete de 36" o con una base más ancha.



Altura de la superficie de cocción, incluyendo la profundidad de la caja eléctrica en algunos modelos. Consulte las instrucciones de Instalación de la superficie de cocción. No se requiere ningún espacio de despeje mínimo entre la superficie de cocción y el horno.

\*Consulte la siguiente tabla para conocer las fugas deseadas a los costados.

Dimensión	Fuga de 1/8"	Fuga de 1/4"
J	30"	30-1/4"

**NOTA:** Sólo se aprueba la instalación de este horno de acuerdo con los modelos específicos que aparecen etiquetados en esta unidad.

Zócalo de 4" de Altura

# Preparación de la Instalación

## Preparación CON un Cajón de Almacenamiento de Accesorios

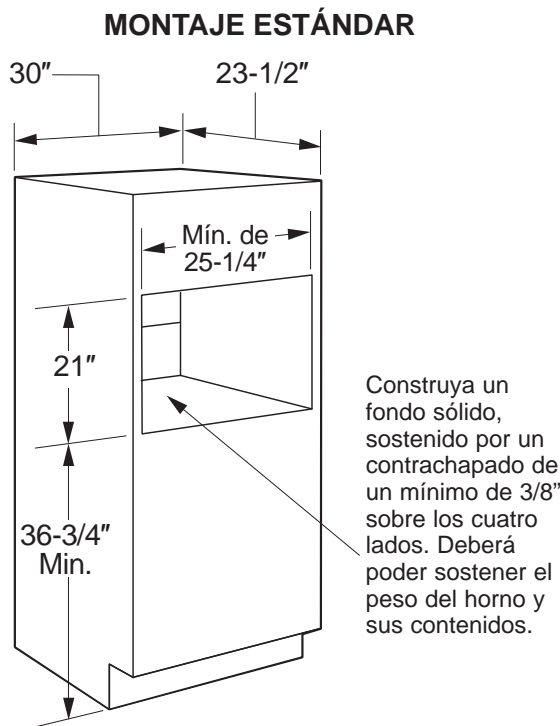
- PSB9120 y PWB7030 son los únicos modelos aprobados para su instalación debajo de una altura de 36 3/4" con un cajón de almacenamiento. CSB9120, ZSC1201, ZSC1202 y CWB7030 no están aprobados.
- Según sea necesario, consulte la Preparación para la Instalación de Montaje Estándar O la Preparación para la Instalación de Montaje al Ras para conocer los detalles de la configuración. A continuación, observe la altura de la abertura modificada.
- Modelo ZSC1202 no pueden instalarse con un cajón de almacenamiento de accesorios. Ver preparación para la instalación sin un cajón de almacenamiento de accesorios para este modelo.

### PREPARACIÓN DE LA ABERTURA (cont.)

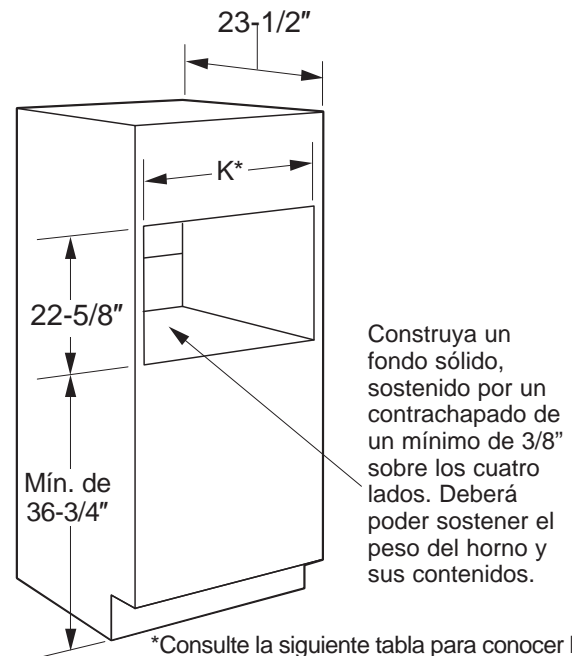
El Advantium 120 se podrá instalar junto con otros electrodomésticos empotrables. Siempre siga las instrucciones de instalación de cada producto, a fin de completar la instalación.

#### Instalación Simple de Advantium/Convección 120V:

Ordene un gabinete para horno simple de 30" de ancho o recorte la abertura en una pared siguiendo las dimensiones mostradas.



#### INSTALACIÓN DEL MONTAJE AL RAS (Monogram únicamente)



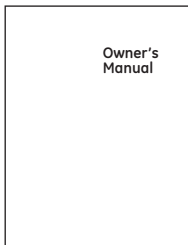
Dimensión	Fuga de 1/8"	Fuga de 1/4"
K	30"	30-1/4"

- Para una instalación nivelada, coloque el rímel inferior a una altura de 3/4" cuando se instale sobre un cajón de almacenamiento.
- Deje los siguientes espacios libres alrededor de la abertura sobre la superficie frontal del gabinete: 5/8" desde la parte superior, 2-3/8" desde los extremos laterales, y 3/4" desde la parte inferior. (**Nota:** los mismos se refieren a los espacios libres mínimos requeridos para la instalación y no reflejan las dimensiones reales del producto).
- Las superposiciones del horno ocultarán los extremos cortantes sobre todos los costados de la abertura.
- Cuando se instale sobre un horno simple o sobre un cajón para calentar, deje por lo menos 2" entre las dos aberturas. Esta separación brindará espacio para la superposición inferior del Advantium/Convección 120V y las superposiciones de los demás electrodomésticos.
- El soporte debe estar nivelado y montado de forma rígida, al ras con el extremo inferior de la abertura.

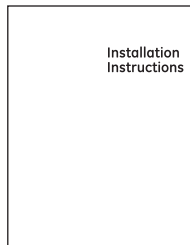
# Instrucciones de Instalación

## 1 RETIRE EL EMBALAJE Y LAS PIEZAS

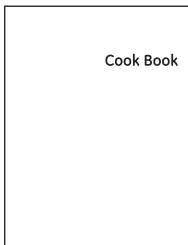
- Retire todo el material de embalaje y la cinta.
- Ubique el paquete de piezas que contiene los tornillos de montaje.
- Retire el horno del cartón. No levante la unidad de la manija ni del conducto. Es necesario que el horno sea levantado por dos personas.
- Abra la puerta y retire cualquier embalaje que haya dentro del horno.



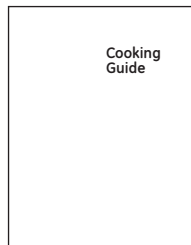
Manual del Propietario



Instrucciones de Instalación



Libro de Cocina\*



Guía de Cocción\*



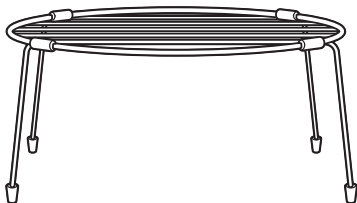
Bandeja de Vidrio



Anillo del Plato Giratorio



Bandejas de Metal (2)\*



Estante

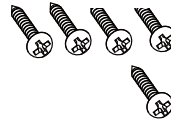
\*No se incluye con modelos CWB7030, PWB7030 y CWB713



4 Tornillos de Cabeza Plana del Mismo Color para la Moldura de la Puerta de Plástico

(3 requeridos, 1 adicional)

\*Algunos modelos ya cuentan con la moldura y los tornillos en la puerta.



5 Tornillos del Mismo Color  
(4 requeridos, 1 adicional)



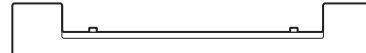
6 Tornillos de Latón para la Moldura Inferior  
(3 requeridos, 3 adicionales)



Moldura de la Puerta de Plástico



Moldura Inferior – Metálica n° 1



Moldura Inferior – Metálica n° 2



Moldura Inferior - Plástica

	Profile	Café	Monogram
Moldura de la Puerta de Plástico	X	X	X
Moldura Inferior – Metálica n° 1	X	X	-
Moldura Inferior – Metálica n° 2	-	-	X
Moldura Inferior - Plástica	X	X	X

### ▲PRECAUCIÓN

Si instalará el Horno Advantium/ Convección 120V por debajo de 36", deberá usar el borde inferior de plástico debido a riesgos de quemaduras de los niños. El borde de plástico actúa como aislante y ayuda a evitar que los niños sufran quemaduras sobre las superficies calientes.

**IMPORTANTE:** Si instalará el Horno Advantium/ Convección 120V con un cajón de almacenamiento de accesorios, lea las instrucciones de ensamble del cajón de almacenamiento para ensamblar los productos juntos, antes de proceder al paso 2.

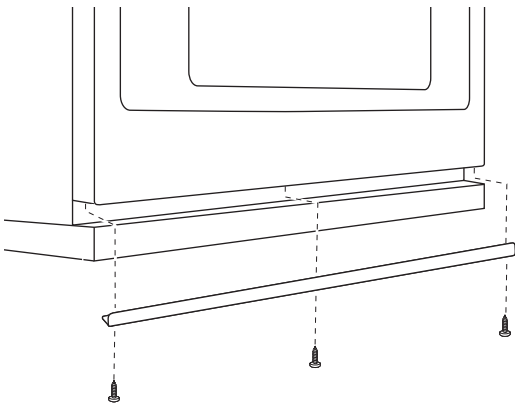
# Instrucciones de Instalación

## 2 RETIRO DE LA MOLDURA DE LA PUERTA PARA INSTALACIONES SUPERIORES A 36" ÚNICAMENTE

Si instalará el Horno Advantium/Convección 120V por encima de 36" desde el piso, podrá retirar la moldura plástica de la parte inferior de la puerta por cuestiones estéticas.

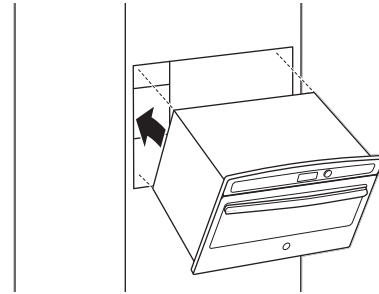
**⚠PRECAUCIÓN** Si instalará el Horno Advantium/Convección 120V por debajo de 36", no retire el borde de la puerta de plástico debido al riesgo de quemaduras de los niños. El borde de plástico actúa como aislante y ayuda a evitar que los niños sufran quemaduras sobre las superficies calientes.

- Si realizará una instalación por encima de 36", retire los 3 tornillos que aseguran la moldura de plástico a la parte inferior de la puerta.
- Descarte la moldura de plástico. Reemplace los tornillos a la parte inferior de la puerta.



## 3 DESLICE EL HORNO POR LA ABERTURA

**⚠PRECAUCIÓN** Se requiere contar con dos personas para colocar el horno en la abertura. Se deberá tomar la parte inferior sobre la parte frontal y trasera. **NO USE LA MANIJA PARA LEVANTAR EL HORNO. SE PRODUCIRÁN DAÑOS.**



- Levante y sostenga el horno desde el frente de la abertura. Sostenga el horno en un ángulo y enchufe el cable de corriente.
- Con cuidado, deslice el horno sólo hasta una parte dentro del gabinete. Deje el horno a unas pocas pulgadas delante de la estructura del gabinete.
- Asegúrese de que el cable de corriente no quede atrapado debajo del horno ni a lo largo de los costados del horno.

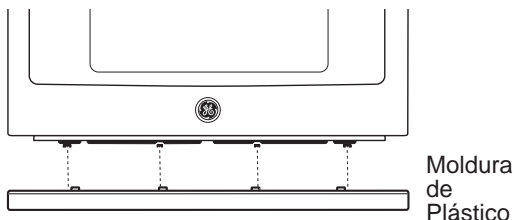
# Instrucciones de Instalación

## 4 INSTALE LA MOLDURA INFERIOR

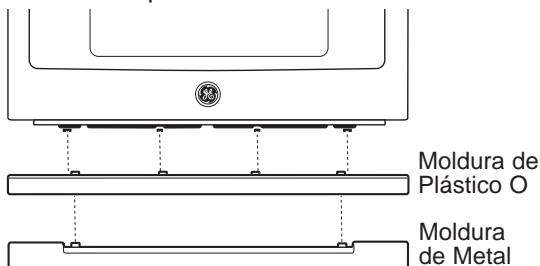
**▲PRECAUCIÓN** Si instalará el Horno Advantium/Convección 120V por debajo de 36", deberá usar el borde inferior de plástico debido a riesgos de quemaduras de los niños. El borde de plástico actúa como aislante y ayudará a evitar que los niños sufran quemaduras sobre las superficies calientes.

**NOTA:** Si instalará el Horno Advantium/Convección 120V con un cajón de almacenamiento de accesorios, la moldura inferior no será necesaria. Proceda al Paso 5.

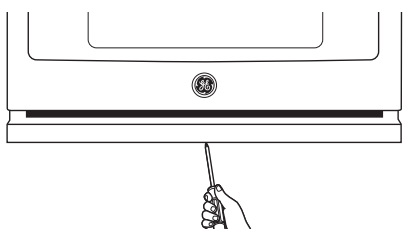
- En la Instalación por debajo de 36", alinee las lengüetas de la moldura sobre la moldura de plástico con las ranuras de la parte inferior del horno.



- En la Instalación por encima de 36", alinee las lengüetas de la moldura sobre la moldura de plástico con las ranuras de la parte inferior del horno.



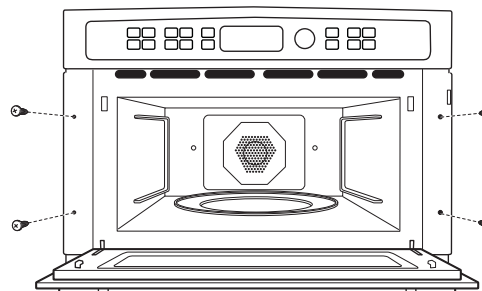
- Asegure la moldura inferior con la parte inferior del horno usando los 3 tornillos provistos.



## 5 INSTALACIÓN DE LA MODLURA INFERIOR CON EL CAJÓN DE ACCESORIOS

Si hará la instalación con un cajón de accesorios, consulte las instrucciones de instalación que se incluyen con el cajón de accesorios.

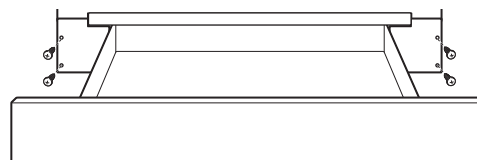
## 6 INSTALACIÓN DE LOS TORNILLOS DE MONTAJE



- Deslice el horno por el resto del recorrido hasta la abertura, de modo que las pestañas laterales y el panel de control queden contra la estructura del gabinete. Asegúrese de que el horno quede centrado en la abertura.
- Abra la puerta, coloque una bandeja giratoria en el horno y asegúrese de que la misma quede nivelada en la unidad.
- Haga agujeros piloto a través de las pestañas laterales.
- Coloque los tornillos del mismo color en las pestañas laterales. Se recomienda que los tornillos sean ajustados de forma manual.

**Si instalará el horno con un cajón de almacenamiento de accesorios:**

- Abra el cajón.
- Haga agujeros piloto a través de las pestañas laterales.
- Coloque los tornillos del mismo color en las pestañas laterales. Se recomienda que los tornillos sean ajustados de forma manual.



**NOTA:** Si instalará el Horno Profile Advantium/Convección/Convección 120V con un cajón de almacenamiento de accesorios, deberá usar el soporte de montaje para uso debajo de la mesada para el cajón.

Si instalará el modelo integrado Monogram Advantium/Convección ZSC1201 por encima de 36", se deberá usar el soporte de montaje para uso debajo de la mesada con el cajón de almacenamiento de accesorios.

## 7 FINALIZACIÓN DE LA INSTALACIÓN

- Presione el encendido. La luz interna se deberá encender cuando la puerta se abra.
- Para acceder a instrucciones de uso, consulte el Manual del Propietario.

# Notas

---

**NOTA:** Al realizar las instalaciones descritas en este libro, se deberán usar anteojos o gafas de seguridad.

**NOTA:** GE Appliances se esfuerza de forma constante para mejorar sus productos. Por lo tanto, los materiales, el aspecto y las especificaciones están sujetos a cambios sin aviso previo.

